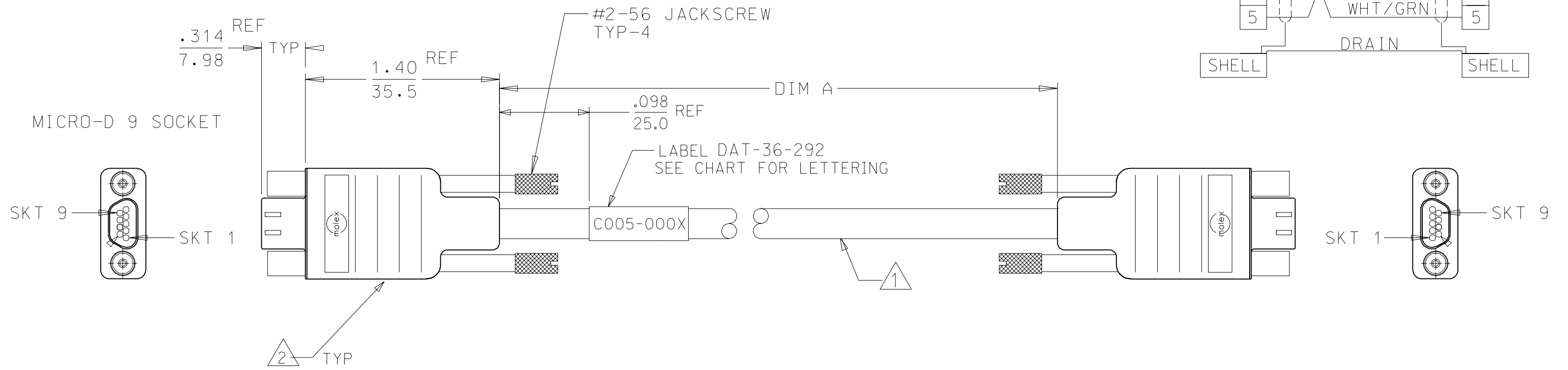
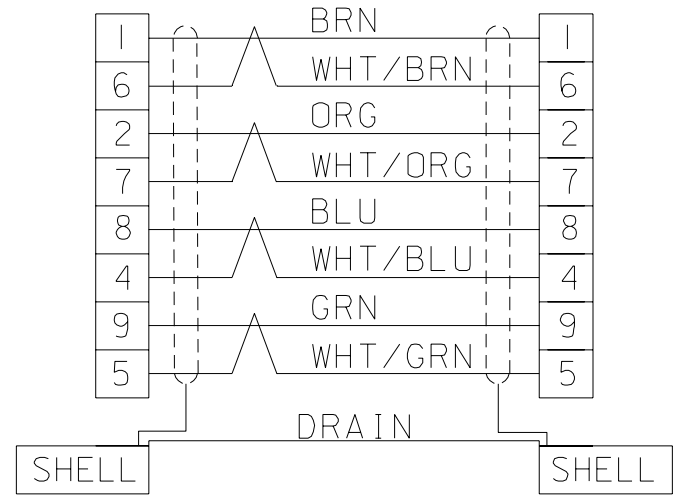


MATERIAL NO.	ENGINEERING NO.	DIM A	TOLERANCE	LABEL PRINT
834219221	83421-9221	.75ft+/200mm	+.315-.157/+8-4mm	C005-0001
834219222	83421-9222	4.00ft+/1200mm	+1.89-.945/+48-24mm	C005-0002
834219231	83421-9231	32.8ft+/10m	+4.0-2.5/+100-63mm	C005-0003
834219223	83421-9223	9.85ft+/3m	+2.36-1.89/+60-48mm	C005-0004



- 3. REFER TO PS-83421-9000 FOR PRODUCT SPEC.
- 2. MICRO-D, 9 SOCKET FEMALE CONNECTOR (CRIMP TYPE)  
CONTACTS: 30 MICRO INCH GOLD PLATED  
INSULATOR: PCV OVERMOLD, COLOR: BLACK  
WITH (2) #2.56 JACKSCREWS

RESTRICTED SALES DRAWING

1. CABLE: CAT 5E, 26AWG, 4 PAIR & DRAIN WIRE  
8 CONDUCTOR, TINNED COPPER, 7 STRAND.  
WIRE INSULATION: PVC  
SHIELD: AL-FOIL/MYLAR, INCLUDING DRAIN WIRE & BRAID  
OUTER CABLE JACKET: BLACK PVC.

NOTES: UNLESS OTHERWISE SPECIFIED.

CHNG TO SD IN MIDAS EC NO. ETC2004-0077 DRWN: EMF 03/09/26 CHK: HEB 03/09/26 APPR: RSD 03/09/26 AI	QUALITY SYMBOLS MAJOR $\blacktriangledown$ = 0 CRITICAL $\blacktriangle$ = 0	GENERAL TOLERANCES: (UNLESS SPECIFIED)		SCALE NO: NE	DESIGN UNITS <input type="checkbox"/> mm <input checked="" type="checkbox"/> INCH	THIRD ANGLE PROJECTION <input checked="" type="checkbox"/> THIRD ANGLE <input type="checkbox"/> FIRST ANGLE	DIMENSIONS: <input type="checkbox"/> mm <input checked="" type="checkbox"/> INCH <input type="checkbox"/> mm ONLY	SHT	REV	
		4 PLACES $\pm 0.$	$\pm .$	DRAWN BY & DATE JAL 03/04/07	TITLE: CABLE ASSEMBLY 9 SKT MICRO D TO 9 SKT MICRO D W/OVERMOLD					
		3 PLACES $\pm 0.$	$\pm .005$	CHECKED BY & DATE / /						
		2 PLACES $\pm 0.13$	$\pm .010$	APPROVED BY & DATE RWD 03/04/10	MOLEX INCORPORATED					
1 PLACE $\pm 0.25$	$\pm .$	CAD FILENAME RSD-83421-023.DGN	MATERIAL NO. SEE CHART	DRAWING NO. RSD-83421-023	SHEET NO. 1 OF 1					
ANGULAR: $\pm 2^\circ$			THIS DRAWING CONTAINS INFORMATION THAT IS PROPRIETARY TO MOLEX INCORPORATED AND SHOULD NOT BE USED WITHOUT WRITTEN PERMISSION.						SIZE B	
DRAFT WHERE APPLICABLE MUST REMAIN WITHIN DIMENSIONS										