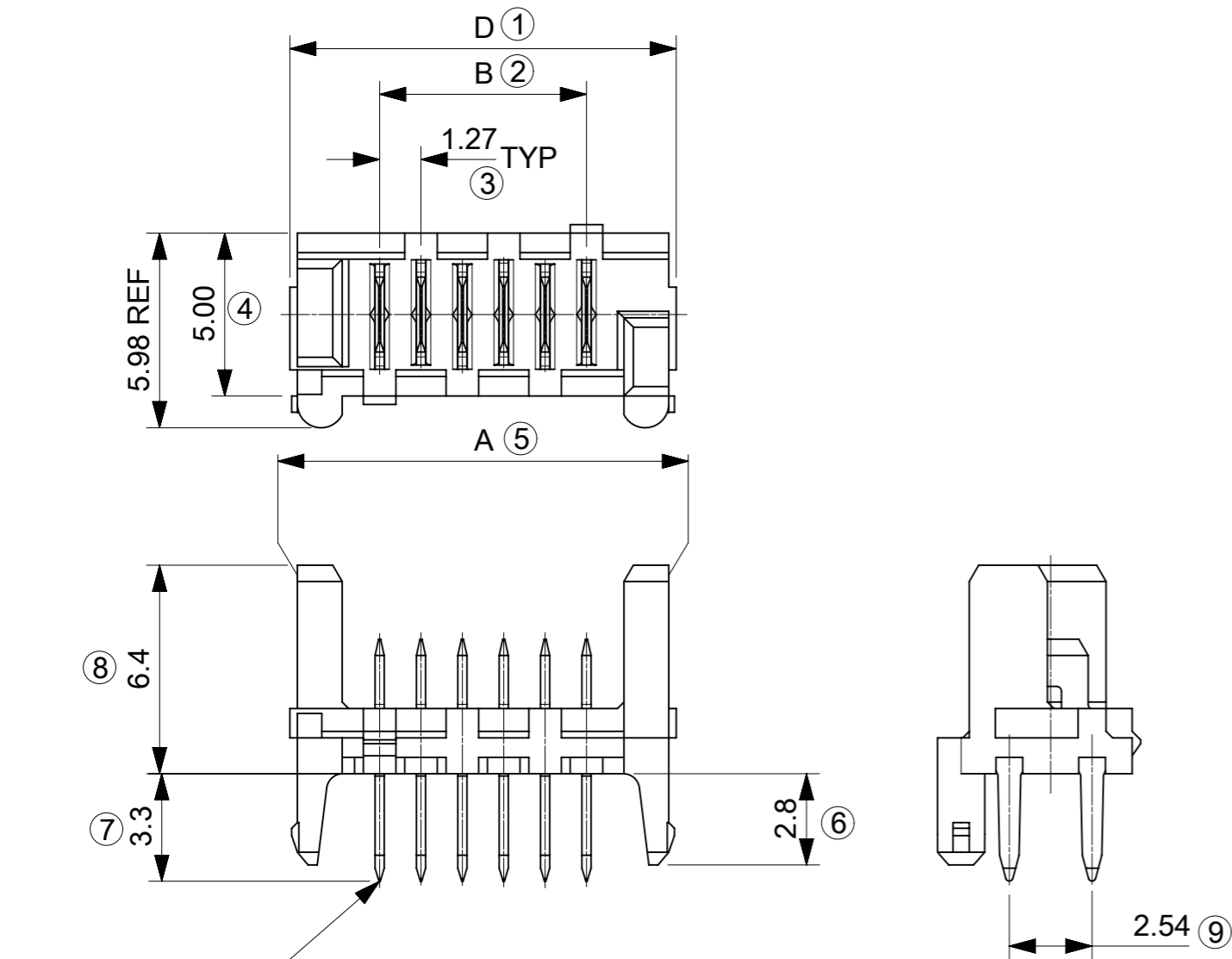


90325 - **26	26	36.80	31.75	35.35	37.26
90325 - **24	24	34.26	29.21	32.81	34.72
90325 - **22	22	31.72	26.67	30.27	32.18
90325 - **20	20	29.18	24.13	27.73	29.64
90325 - **18	18	26.64	21.59	25.19	27.10
90325 - **16	16	24.10	19.05	22.65	24.56
90325 - **14	14	21.56	16.51	20.11	22.02
90325 - **12	12	19.02	13.97	17.57	19.48
90325 - **10	10	16.48	11.43	15.03	16.94
90325 - **08	08	13.94	8.89	12.49	14.40
90325 - **06	06	11.40	6.35	9.95	11.86
90325 - **04	04	8.86	3.81	7.41	9.32
PART NO.	NO. OF CKTS	DIM. A	DIM. B	DIM. C	DIM. D

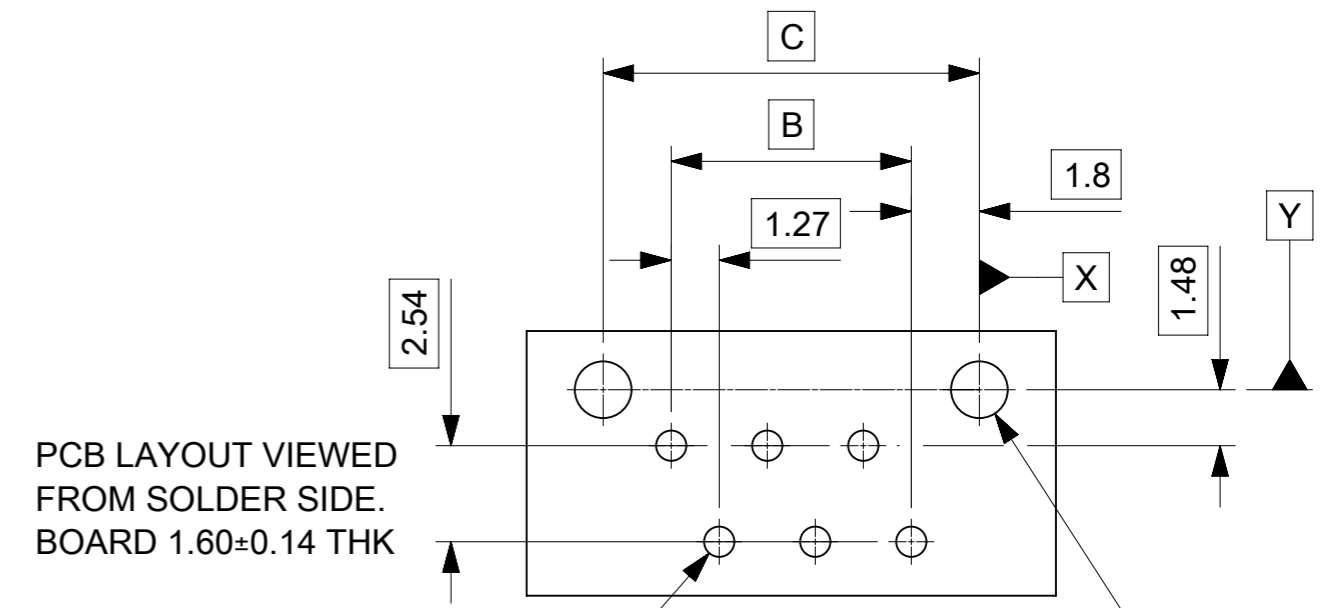


CIRCUIT NO. 1

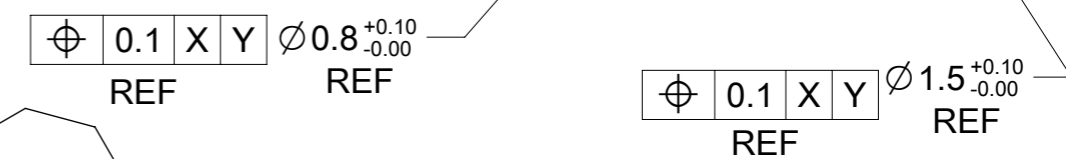
90325 - \* \* \* \*

CIRCUIT SIZE 04 CKT TO 26 CKT  
 0 = HOUSING: COLOUR BLACK  
 9 = HOUSING: CUSTOMER SPECIFIC (COLOUR BLACK)

0 = 3 -5µm TIN ASSY  
 3 = 0.76µm GOLD ASSY  
 5 = NON STANDARD VOIDED OPTIONSEE SHEET 2 TUBED  
 6 = ROUND PEG WITH KINKSOPTION SEE SHEET 3 (OBSOLETE)  
 7 = 0.76µm GOLD ASSY, TUBED  
 9 = 3-5µm TIN ASSY TUBED



INSPECTION NUMBERS USED ON SHEET 1: 1-20  
 LAST INSPECTION NUMBER USED: 9

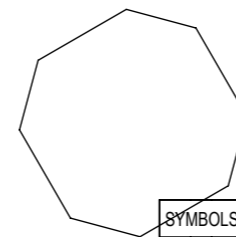


- NOTES:
- HOUSING MATL. POLYESTER PBT 15% GLASS FILLED TO UL94V-0
  - TER. MATL. BRALL 0.28 THK  
 PLATING: :UNDERPLATED 1.27µm MIN NICKEL  
 3-5µm TIN SELECTIVE  
 0.76µm MIN. SELECTIVE GOLD
  - CONFIRMS TO PRODUCT SPECIFICATION PS-99020-0011
  - PACKAGING SPECIFICATION: PK-90325-001

SYMBOLS		THIS DRAWING CONTAINS INFORMATION THAT IS PROPRIETARY TO MOLEX ELECTRONIC TECHNOLOGIES, LLC AND SHOULD NOT BE USED WITHOUT WRITTEN PERMISSION	
▽ = 0	mm	SCALE	5:1
▽ = 0	GENERAL TOLERANCES (UNLESS SPECIFIED)		
▽ = 0	ANGULAR TOL ± 0.5°		
▽ = 0	4 PLACES	±	
▽ = 0	3 PLACES	±	
▽ = 0	2 PLACES	±	0.2
▽ = 0	1 PLACE	±	0.2
▽ = 0	0 PLACES	±	
■ = 0	DRAFT WHERE APPLICABLE MUST REMAIN WITHIN DIMENSIONS		
▽ = 0	THIRD ANGLE PROJECTION		
CURRENT REV DESC:		EC NO: 738955	
		DRWN: GOWTHP 2023/02/02	
		CHK'D: GOWTHP 2023/02/16	
		APPR: ISHWARG 2023/02/20	
INITIAL REVISION:		DRWN: RFC_PLMIMP 2018/10/14	
		APPR: MWILHITE 2000/07/24	
DOCUMENT NUMBER		SDA-90325	
DOC TYPE		PSD	
DOC PART		001	
REVISION		AU1	
MATERIAL NUMBER		SEE TABLE	
CUSTOMER		GENERAL MARKET	
SHEET NUMBER		1 OF 2	

# DRAWING REMASTERED TO NX

PART NUMBER OPTIONS ON SHEET'S 2 & 3 ARE OBSOLETE AND THEREFORE HAVE BEEN REMOVED FROM DRAWING.



SYMBOLS	THIS DRAWING CONTAINS INFORMATION THAT IS PROPRIETARY TO MOLEX ELECTRONIC TECHNOLOGIES, LLC AND SHOULD NOT BE USED WITHOUT WRITTEN PERMISSION										
	DIMENSION UNITS		SCALE		CURRENT REV DESC:				<b>molex</b>		
	mm		1:1								
	GENERAL TOLERANCES (UNLESS SPECIFIED)										
	ANGULAR TOL ± 0.5°										
	▽ = 0	4 PLACES		±		EC NO: 738955		2023/02/02		PRODUCT CUSTOMER DRAWING	
	▽ = 0	3 PLACES		±		DRWN: GOWTHP		2023/02/16			
	▽ = 0	2 PLACES		± 0.2		APPR: ISHWARG		2023/02/20			
	▽ = 0	1 PLACE		± 0.2		INITIAL REVISION:				DOCUMENT NUMBER	
	▽ = 0	0 PLACES		±		DRWN: RFC_PLMIMP		2018/10/14		SDA-90325	
▽ = 0	DRAFT WHERE APPLICABLE MUST REMAIN WITHIN DIMENSIONS		THIRD ANGLE PROJECTION		DRAWING		SERIES		MATERIAL NUMBER		
▽ = 0					A3-SIZE		90325		SEE TABLE		
				CUSTOMER		GENERAL MARKET		SHEET NUMBER			
								2 OF 2			

RELEASE STATUS	P1	RELEASE DATE	2023/02/20	05:04:37
----------------	----	--------------	------------	----------