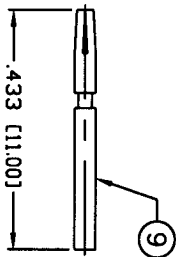
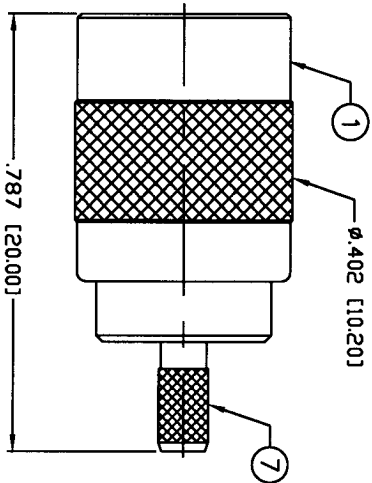
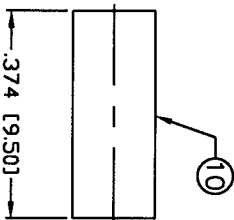


THIS DRAWING CONTAINS INFORMATION PROPRIETARY TO RF INDUSTRIES.
 ANY UNAUTHORIZED USE OF THIS DRAWING IS EXPRESSLY PROHIBITED
 WITHOUT WRITTEN PERMISSION FROM RF INDUSTRIES.
 ANY VIOLATION IS PUNISHABLE UNDER U.S. COPYRIGHT LAWS.

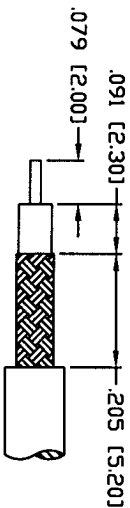
ALL DIMENSIONS ARE REFERENCE ONLY



RECOMMENDED SOLDER
 CRIMP W/ RFA-4089



RECOMMENDED
 CRIMP DIE: .130"



RECOMMENDED
 STRIPPING DIMENSIONS


SPECIFICATIONS:

IMPEDANCE: 75 Ohms
 FREQUENCY RANGE: 0-2 GHz
 WORKING VOLTAGE: 335 V rms Max. Ⓢ See Level
 CONTACT RESISTANCE: 6 m Ohm
 INSULATION RESISTANCE: 1k M Ohms min.
 TEMPERATURE RANGE: -65°C TO 165°C

#	DESCRIPTION	QTY	MATRL	FINISH	APPROVALS	DATE
1	SHELL	1	BRASS	NICKEL, 100μ"	008974	
2	BODY	1	BRASS	GOLD, 3μ"		
3	RETAINING RING	1	Be-Cu	---		
4	WASHER	2	BRASS	NICKEL, 100μ"		
5	SPRING	1	SST	---		
6	INSULATOR	1	PTFE	---		
7	FERRULE STUD	1	BRASS	NICKEL, 100μ"		
8	RING	1	BRASS	NICKEL, 100μ"		
9	PIN	1	Be-Cu	GOLD, 30μ"		
10	FERRULE	1	BRASS	NICKEL, 100μ"		
11						
12						
13						
14						

UNLESS OTHERWISE SPECIFIED:
 1. REMOVE ALL BURRS
 2. BREAK ALL CORNERS & EDGES .005 R. MAX.
 3. CHAMFER 1ST & LAST THREADS 45°
 4. SURFACE ROUGHNESS 6.3 FINISH MIL-STD-10
 5. DIAETERS ON COMMON CENTERS TO BE CONCENTRIC WITHIN .002 T.I.R.
 6. ALL DIMENSIONS ARE AFTER PLATING.

DIMENSIONS ARE IN INCHES AND [MILLIMETERS]
 UNLESS OTHERWISE NOTED TOLERANCES ARE:
 DECIMALS .xxx±.003 [.08]
 DIAMETER .xxx±.001 [.03]
 .xxx±.005 [.13]



RF Connectors
 DIVISION OF RF INDUSTRIES, LTD.

7610 MIRAMAR RD
 SAN DIEGO, CA 92126
 (858) 549-6340
 (858) 549-6345 FAX

SMB PLUG CRIMP

WITH LOCKING SHELL

SIZE	CABLE GROUP	DWG NO.	REV
A	N/A	RSB-301-179	B

SCALE: NTS CAD FILE OUTLINE SHEET 1 OF 1

REV	DESCRIPTION	DWN	DATE	APPROVED
A	ENGINEERING RELEASE	CZS	1/20/99	R. RICE
B	CHG P/N FROM RFX-3345 / CHG FORMAT & DWG # 9002	GGG	3/18/02	JDMc

PART NO.	DESCRIPTION	DWG NO.	REV
RSB-301-179	SMB PLUG CRIMP	RSB-301-179	B