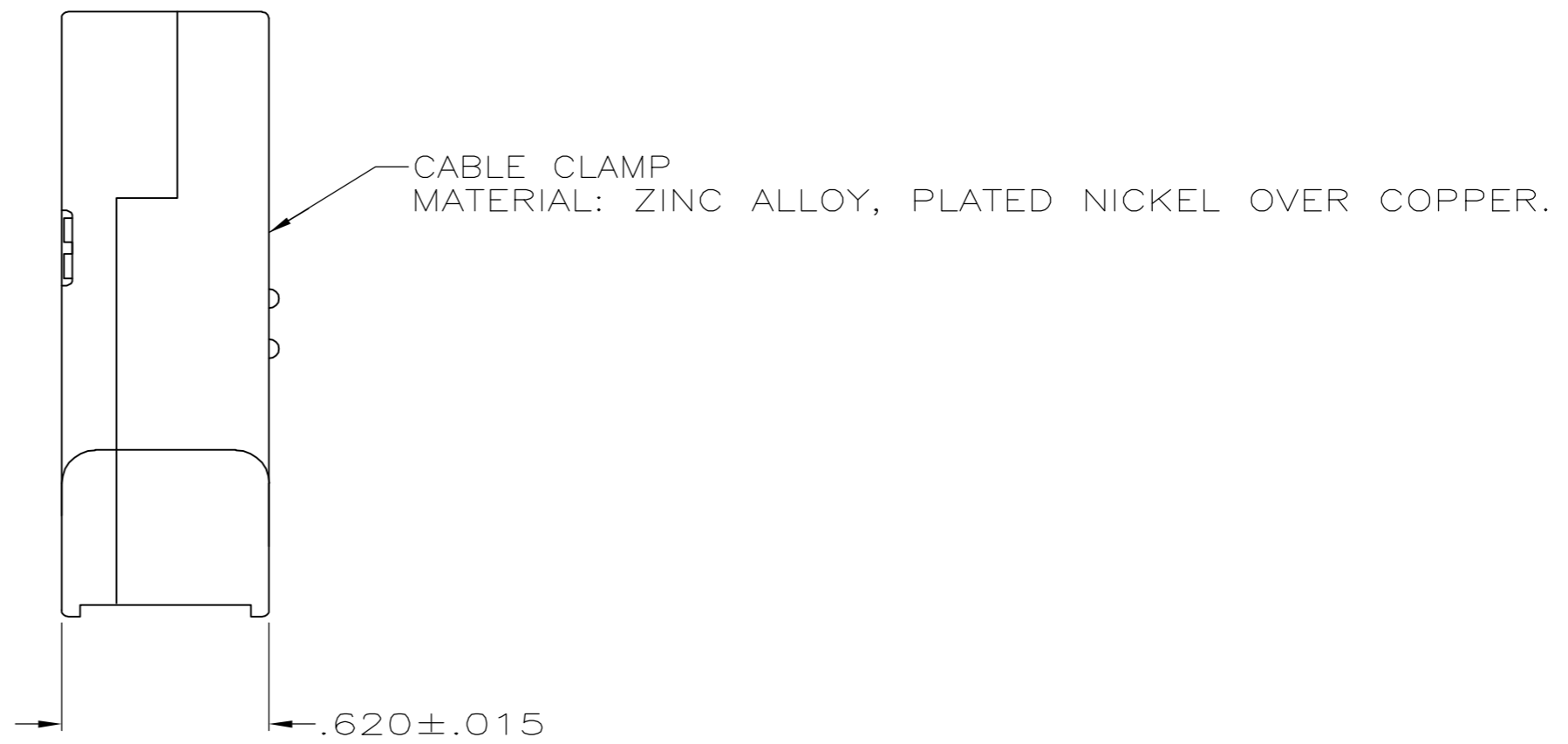
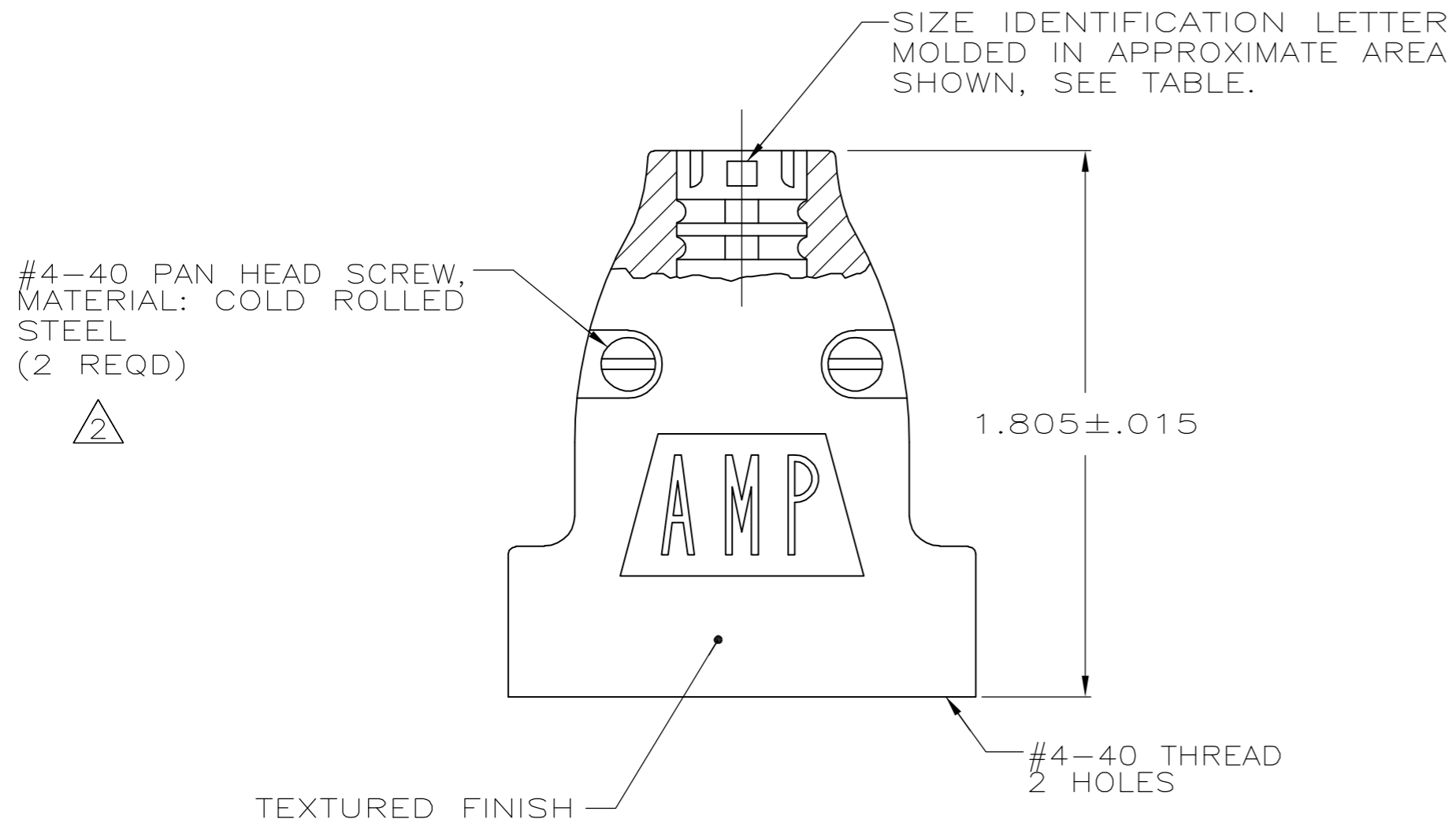
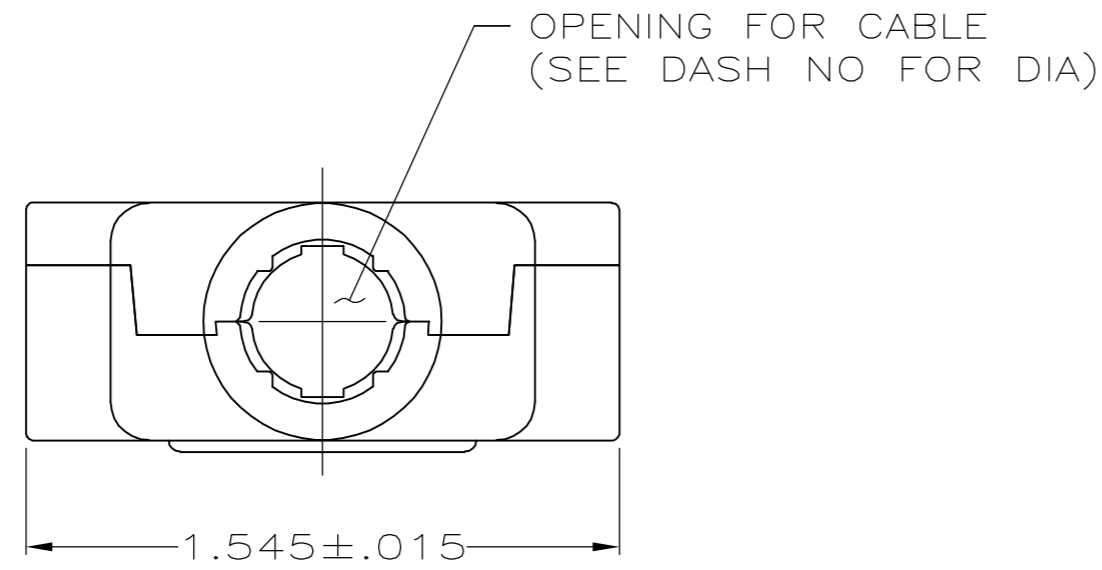


THIS DRAWING IS UNPUBLISHED. RELEASED FOR PUBLICATION
 © COPYRIGHT BY TYCO ELECTRONICS CORPORATION. ALL RIGHTS RESERVED.

LOC	DIST	REVISIONS			
P	LTR	DESCRIPTION	DATE	DWN	APVD
GP	00	0	RELEASED PER EC 0S13-0226-05	8-14-05	D.H. J.G.



#4-40 PAN HEAD SCREW,
 MATERIAL: COLD ROLLED
 STEEL
 (2 REQD)



TEXTURED FINISH

#4-40 THREAD
 2 HOLES

1. PARTS PACKAGED UNASSEMBLED.

ZINC PLATED .000200-.000400 THICK,
 CLEAR CHROMATE COATING.

E	.300	5745919-3
H	.375	5745919-2
K	.430	5745919-1
SIZE IDENT LETTER	MAX CABLE DIA	PART NUMBER

**COPYRIGHT 2005
 TYCO ELECTRONICS CORP
 ALL RIGHTS RESERVED**

THIS DRAWING IS A CONTROLLED DOCUMENT.		DWN	D. HENNY	8-14-05	Tyco Electronics Corporation Harrisburg, Pa 17105-3608																	
DIMENSIONS: INCHES		CHK	C. ROHDE	8-14-05																		
TOLERANCES UNLESS OTHERWISE SPECIFIED:		APVD	M. WALMSLEY	8-14-05																		
<table border="0"> <tr><td>0 PLC</td><td>±</td><td>-</td></tr> <tr><td>1 PLC</td><td>±</td><td>-</td></tr> <tr><td>2 PLC</td><td>±</td><td>-</td></tr> <tr><td>3 PLC</td><td>±</td><td>.005</td></tr> <tr><td>4 PLC</td><td>±</td><td>-</td></tr> <tr><td>ANGLES</td><td>±</td><td>-</td></tr> </table>		0 PLC	±	-		1 PLC	±	-	2 PLC	±	-	3 PLC	±	.005	4 PLC	±	-	ANGLES	±	-	PRODUCT SPEC	NAME
0 PLC	±	-																				
1 PLC	±	-																				
2 PLC	±	-																				
3 PLC	±	.005																				
4 PLC	±	-																				
ANGLES	±	-																				
MATERIAL SEE CALLOUTS		FINISH	SEE CALLOUTS		APPLICATION SPEC																	
MATERIAL SEE CALLOUTS		FINISH	SEE CALLOUTS		WEIGHT																	
MATERIAL SEE CALLOUTS		FINISH	SEE CALLOUTS		SCALE																	
MATERIAL SEE CALLOUTS		FINISH	SEE CALLOUTS		RESTRICTED TO																	
MATERIAL SEE CALLOUTS		FINISH	SEE CALLOUTS		SCALE 1:1 SHEET 1 OF 1 REV 0																	
MATERIAL SEE CALLOUTS		FINISH	SEE CALLOUTS		CUSTOMER DRAWING																	
MATERIAL SEE CALLOUTS		FINISH	SEE CALLOUTS		SIZE A2 CAGE CODE 00779 DRAWING NO C=5745919																	