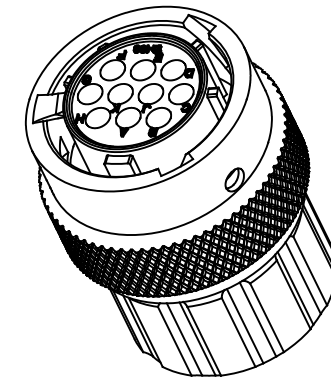
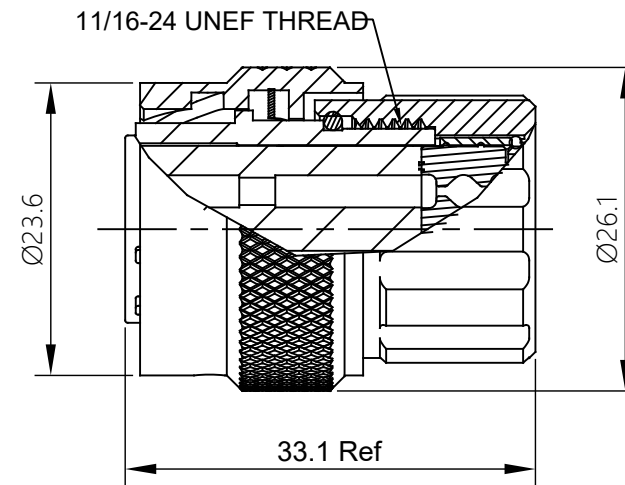
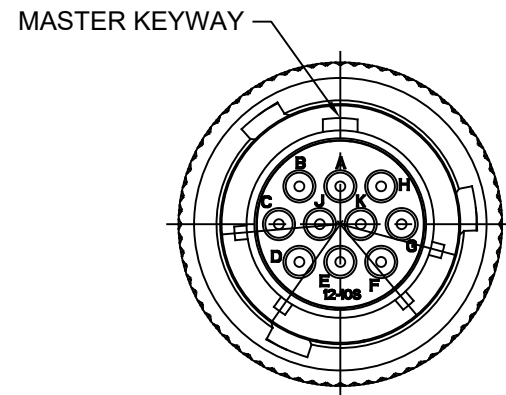


REVISIONS					
REV	ECO	DESCRIPTION	DATE	BY	APPR
A1	-	RELEASED DRAWING	Jun-18-19	Flan	Tommy
A2	-	TECHNICAL REQUIREMENT CHANGE	Jul-09-19	Ronlad	Tommy



NOTES: (UNLESS OTHERWISE SPECIFIED)

- MATERIAL:
 - SHELL: ZINC ALLOY, NICKEL PLATED.
 - INSERT: THERMOPLASTIC, UL94 V-0.
 - END CAP: THERMOPLASTIC, UL94 V-0.
 - COUPLING NUT: AL ALLOY, NICKEL PLATED.
 - WAVE WASHER: STAINLESS STEEL.
 - O-RING: NBR/SILICONE RUBBER.
 - WIRE SEAL: SILICONE RUBBER.
 - PLASTIC BUSHING: THERMOPLASTIC, UL94 V-0.
- SPECIFICATIONS:
 - RATED CURRENT:
 - 2.1.1 STAMPED CONTACT 5A (MAX).
 - 2.1.2 MACHINED CONTACT 7.5A(MAX).
 - RATED VOLTAGE: 250V (AC/DC) .
 - OPERATING TEMPERATURE: SEE CHART.
 - DIELECTRIC WITHSTANDING VOLTAGE: LESS THAN 2 MILLIAMPS CURRENT LEAKAGE@1500 VOLTS AC.
 - INSULATION RESISTANCE: 5000 MEGOHMS MIN.
 - IP--CLASS: IP67(MATED CONDITION).
 - MATING CYCLES DURABILITY: 500 CYCLES(MIN).
 - RoHS COMPLIANT.
- SUITABLE CONTACTS : 20# CONTACTS (CAN'T USE 3 CLIPS) .
- ALL DIMENSIONS ARE FOR REFERENCE USE ONLY.
- CONTACT SIZE AND REAR SEAL WIRE RANGE:

CONTACT SIZE	MIN. INSUL O.D.	MAX. INSUL O.D.	WIRE RANGE
20#	Ø1.2mm	Ø1.6mm	20 - 30AWG

KEY POS	PART NUMBER	
	-40°C ~ 105°C	-40°C ~ 125°C
N	RT0W61210SNHECR	RT0W61210SNHEC03R
W	RT0W61210SWHECR	RT0W61210SWHEC03R
X	RT0W61210SXHECR	RT0W61210SXHEC03R
Y	RT0W61210SYHECR	RT0W61210SYHEC03R
Z	RT0W61210SZHECR	RT0W61210SZHEC03R

QUANTITY	SEE PART NUMBER CHART PART NUMBER	DESCRIPTION	ITEM												
MATERIALS LIST															
UNLESS OTHERWISE SPECIFIED 1) All dimensions are in metric(mm). 2) Tolerances are as follows: 1 PL DEC ±0.30 2 PL DEC ±0.15 3 PL DEC ±0.08 Fractions ±1/64 Angles ±1° 3) Note reference =		SIGNATURES DATE DRAWN: Ronald Jul-08-19 CHECKED: Martin Jul-08-19 ENGINEER: APPROVAL: Tommy Jul-08-19 CUSTOMER:													
MATERIAL SPECIFICATIONS: PROCESS SPECIFICATIONS: NEXT ASSY:		<div style="text-align: center;"> <h1>Amphenol</h1> <p>Sine Systems - www.amphenol-sine.com 44724 Morley Drive Clinton Township, MI 48036</p> </div> <div style="text-align: center;"> <p>ECO-MATE, PLUG, SIZE 12, 10POS, SOCKET, END CAP.</p> </div> <table border="1" style="width: 100%; border-collapse: collapse;"> <tr> <td style="font-weight: bold;">SIZE</td> <td style="font-weight: bold;">TYPE</td> <td style="font-weight: bold;">DWG NO.</td> <td style="font-weight: bold;">REVISION</td> </tr> <tr> <td style="text-align: center;">B</td> <td style="text-align: center;">C-</td> <td style="text-align: center;">RT0W61210S*HEC*R</td> <td style="text-align: center;">A2</td> </tr> <tr> <td colspan="2">SCALE: NONE</td> <td colspan="2">SHEET 1 OF 1</td> </tr> </table>		SIZE	TYPE	DWG NO.	REVISION	B	C-	RT0W61210S*HEC*R	A2	SCALE: NONE		SHEET 1 OF 1	
SIZE	TYPE	DWG NO.	REVISION												
B	C-	RT0W61210S*HEC*R	A2												
SCALE: NONE		SHEET 1 OF 1													

TITLE: ECO-MATE PLUG, SIZE 12, 10POS, SOCKET, END CAP.
 DWG NO.: RT0W61210S*HEC*R
 REV: A2
 SH: 1
 OF: 1

ecomate® RM/RSSM/Aquarius™ - Contact Size 20 Options

Crimp Contacts, Machined				
Part Number		AWG	Wire Range (mm ²)	Plating
Male	Female			
MP20W23F	MS20W23F	22-20	0.34-0.50	Gold Flash
MP20W23G5	MS20W23G5	22-20	0.34-0.50	Gold 5μ"
MP20W23G10	MS20W23G10	22-20	0.34-0.50	Gold 10μ"
MP20W23G15	MS20W23G15	22-20	0.34-0.50	Gold 15μ"
MP20W23G30	MS20W23G30	22-20	0.34-0.50	Gold 30μ"
MP24W23F	MS24W23F	26-24	0.13-0.25	Gold Flash
MP24W23G5	MS24W23G5	26-24	0.13-0.25	Gold 5μ"
MP24W23G10	MS24W23G10	26-24	0.13-0.25	Gold 10μ"
MP24W23G15	MS24W23G15	26-24	0.13-0.25	Gold 15μ"
MP24W23G30	MS24W23G30	26-24	0.13-0.25	Gold 30μ"
MP28W23F	MS28W23F	30-28	0.05-0.08	Gold Flash
MP28W23G5	MS28W23G5	30-28	0.05-0.08	Gold 5μ"
MP28W23G10	MS28W23G10	30-28	0.05-0.08	Gold 10μ"
MP28W23G15	MS28W23G15	30-28	0.05-0.08	Gold 15μ"
MP28W23G30	MS28W23G30	30-28	0.05-0.08	Gold 30μ"

Tooling, Machined	
Part Number	Description
QXRT20	Contact Extraction Tool, #20 (Ø 1.0) Contact
MFY-3959	Hand Crimp Tool for Machined Contacts
MFY-3960	Pneumatic Crimp Tool for Machined Contact

Plating Options, All	
Symbol	Plating
T	Tin Plated (for Stamped & Formed Contacts)
S	Silver Plated 5Um (for Machined Contacts)
F	Gold Plated
G5	Gold Plated (Thickness 5μ")
G10	Gold Plated (Thickness 10μ")
G15	Gold Plated (Thickness 15μ")
G30	Gold Plated (Thickness 30μ")

Crimp Contacts, Stamped & Formed				
Part Number		AWG	Wire Range (mm ²)	Plating
Male	Female			
SP20W2F	SS20W2F	22-20	0.34-0.50	Gold Flash
SP20W2G5	SS20W2G5	22-20	0.34-0.50	Gold 5μ"
SP20W2G10	SS20W2G10	22-20	0.34-0.50	Gold 10μ"
SP20W2G15	SS20W2G15	22-20	0.34-0.50	Gold 15μ"
SP20W2G30	SS20W2G30	22-20	0.34-0.50	Gold 30μ"
SP24W2F	SS24W2F	26-24	0.14-0.25	Gold Flash
SP24W2G5	SS24W2G5	26-24	0.14-0.25	Gold 5μ"
SP24W2G10	SS24W2G10	26-24	0.14-0.25	Gold 10μ"
SP24W2G15	SS24W2G15	26-24	0.14-0.25	Gold 15μ"
SP24W2G30	SS24W2G30	26-24	0.14-0.25	Gold 30μ"
SP28W2F	SS28W2F	30-28	0.05-0.08	Gold Flash
SP28W2G5	SS28W2G5	30-28	0.05-0.08	Gold 5μ"
SP28W2G10	SS28W2G10	30-28	0.05-0.08	Gold 10μ"
SP28W2G15	SS28W2G15	30-28	0.05-0.08	Gold 15μ"
SP28W2G30	SS28W2G30	30-28	0.05-0.08	Gold 30μ"

Tooling, Stamped & Formed	
Part Number	Description
QXRT20	Contact Extraction Tool, #20 (Ø 1.0) Contact
MFY-3958	Hand Tool, Stamped & Formed Contact, Size 20, 20-28AWG
MFY-3957	Crimp Die for Stamped & Formed Contact

Misc Tooling, All	
Part Number	Description
CA-4020-59	Sealing Plug, Size 16 & 20

Standard Quantity Order Options	
Machined	Stamped & Formed
Bulk Package, 500 Pieces	Reel, 3000 Pieces