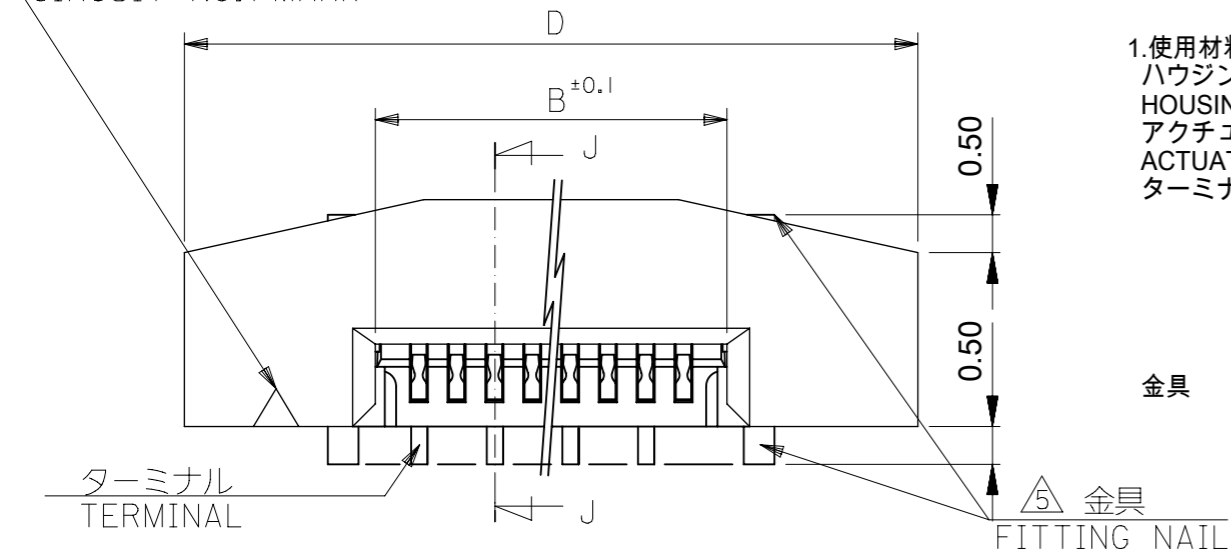


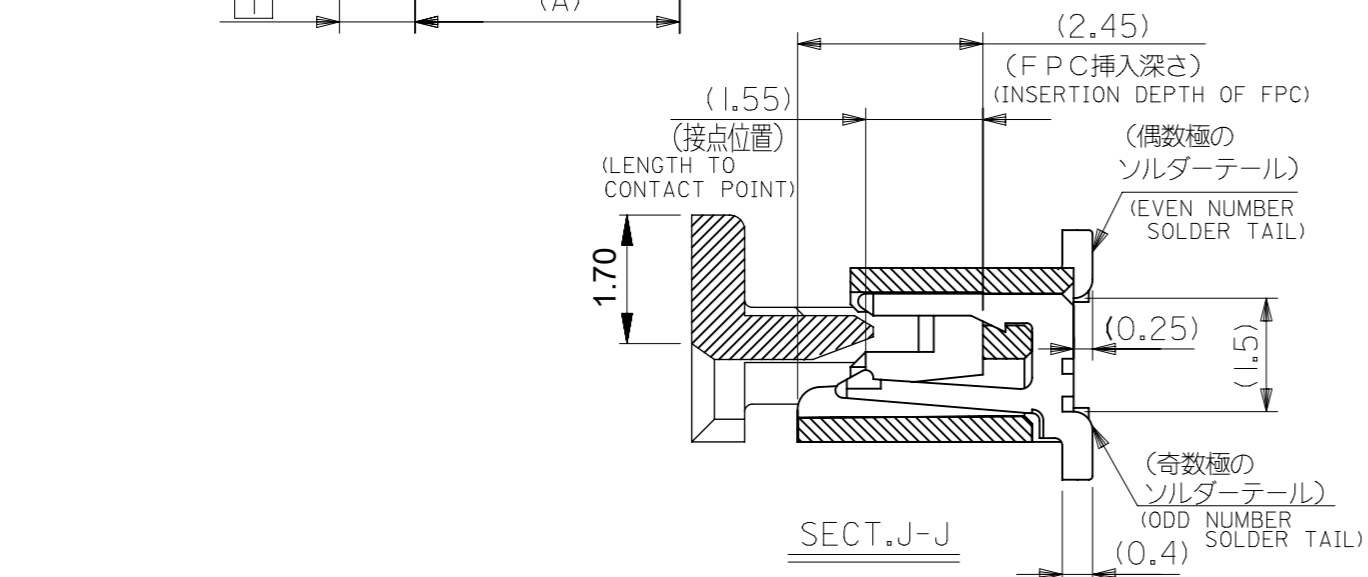
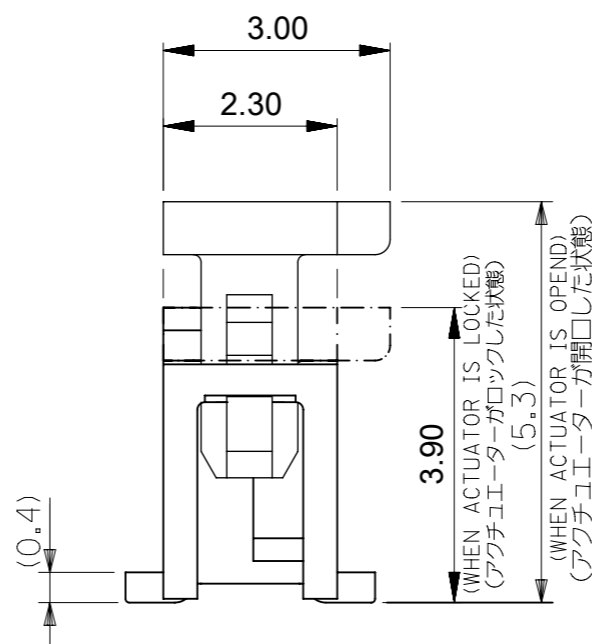
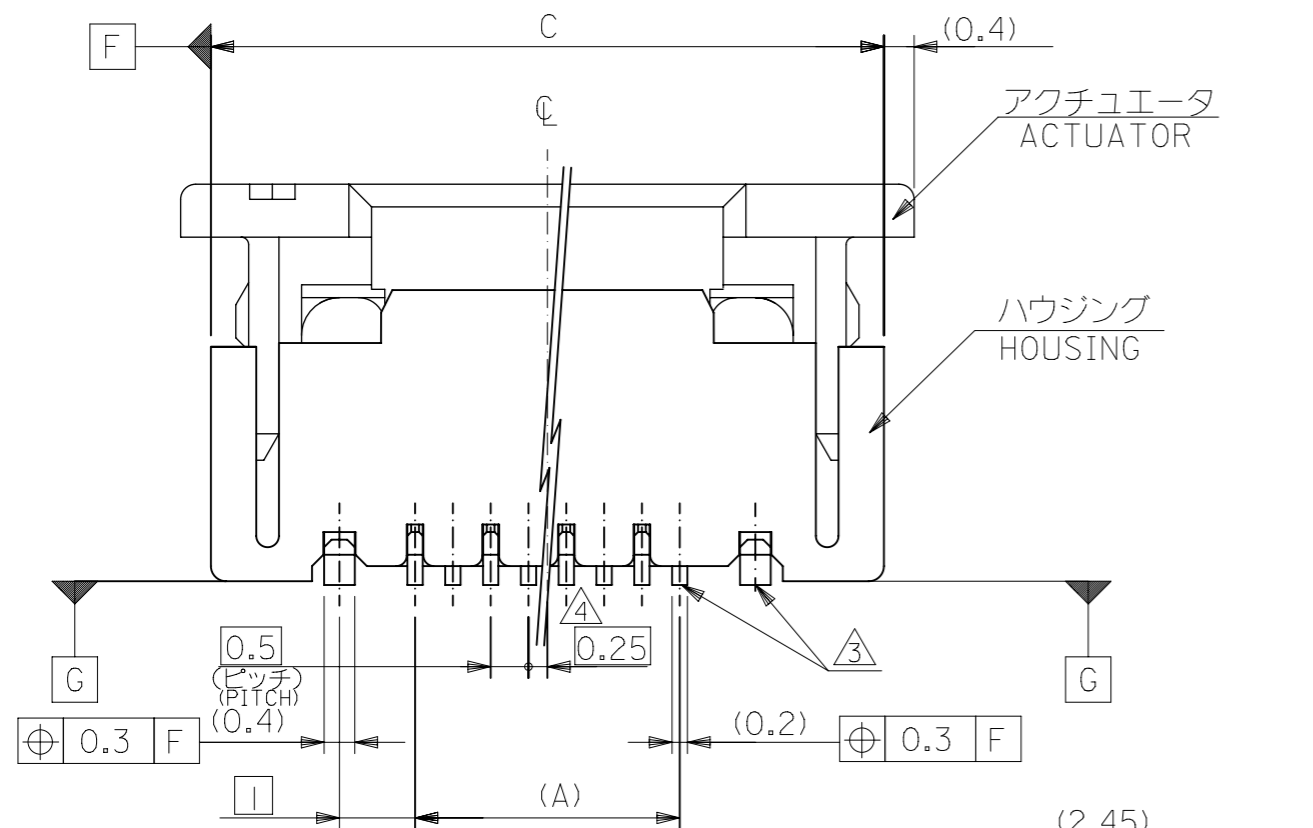
回路番号1用マーク  
CIRCUIT NO.1 MARK



1.使用材料 MATERIAL

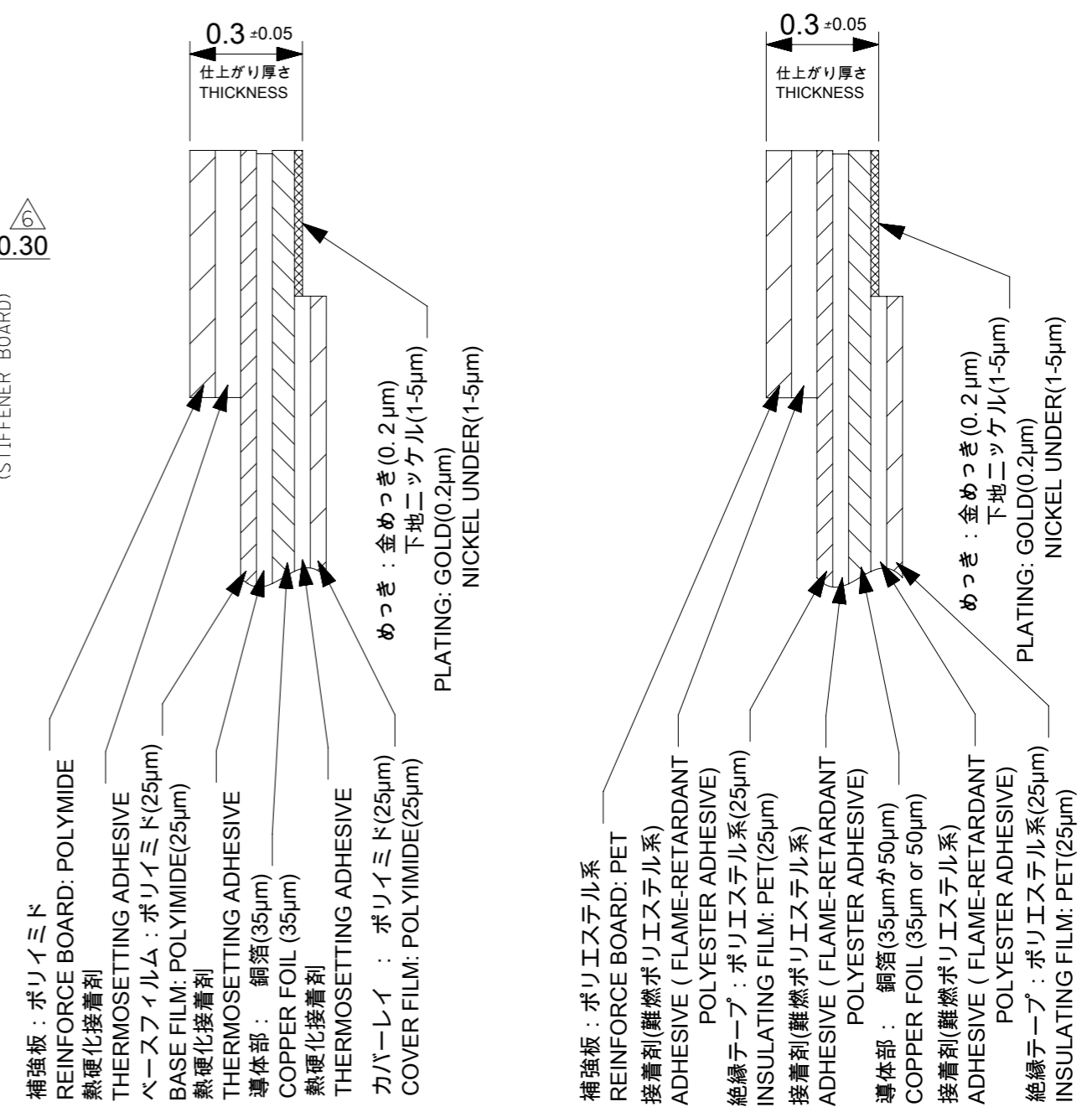
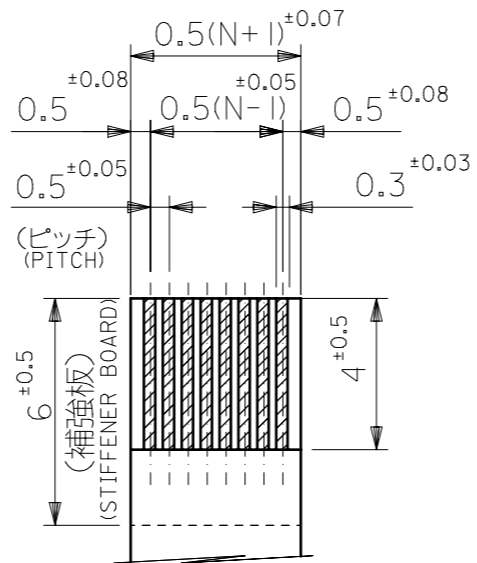
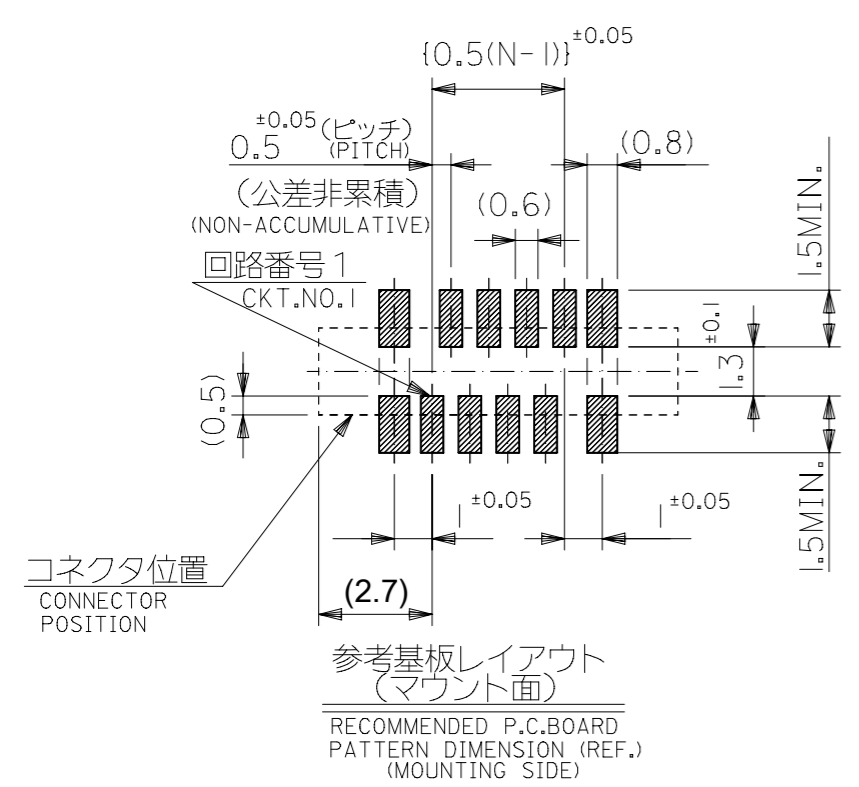
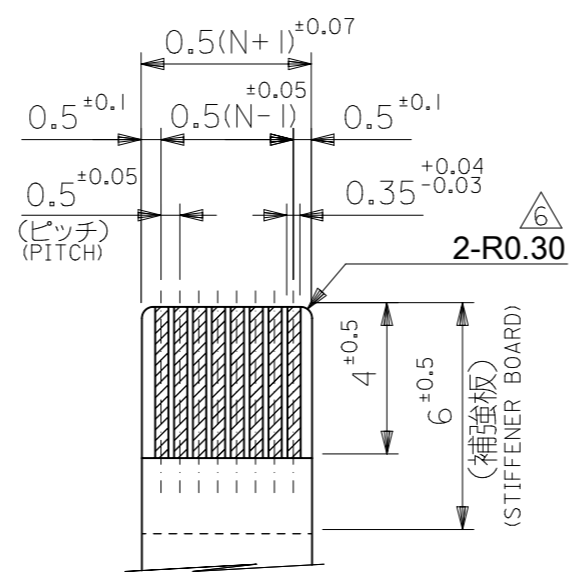
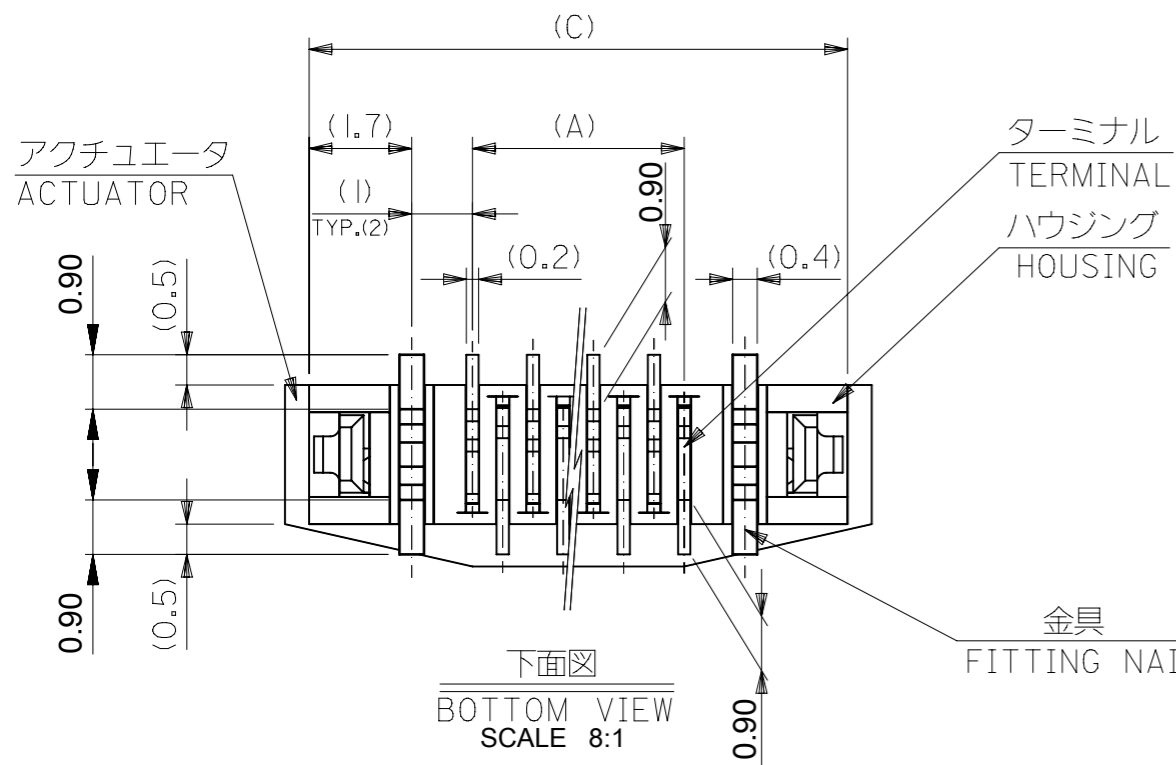
- ハウジング : 46ナイロン、UL94V-0
- HOUSING : PA46, UL94V-0
- アクチュエータ : ポリフェニレンサルファイド ( PPS )、UL94V-0
- ACTUATOR : PPS, UL94V-0
- ターミナル : リン青銅(t=0.2) PHOS-BRO(t = 0.2)
- 接点部 金メッキ 0.1マイクロメートル以上
- CONTACT GOLD 0.1 MICROMETER MINIMUM
- 半田付け部 錫メッキ 1.0マイクロメートル以上
- TAIL TIN 1.0 MICROMETER MINIMUM
- ニッケル下地 1.0マイクロメートル以上
- NICKEL(UNDER PLATING) 1.0 MICROMETER MINIMUM
- 金具 : リン青銅(t=0.4) PHOS-BRO( t = 0.4)
- 錫メッキ 1.0マイクロメートル以上
- TIN 1.0 MICROMETER MINIMUM
- ニッケル下地 1.0マイクロメートル以上
- NICKEL(UNDER PLATING) 1.0 MICROMETER MINIMUM

- 2.エンボステープ梱包時はアクチュエータがロックした状態とする。  
IN THE PACKAGE, ACTUATOR OF PART NO.52559-\*\*79 SHOULD BE LOCKED.
- 3.ソルダーテール半田付け面のズレ量、および金具半田付け面のズレ量は基準面 G に対し上方向 0.05MAXIMUM、下方向 0.15MAXIMUMとする。  
MISALIGNMENT OF SOLDER TAILS AND FITTING NAILS FROM DATUM-G  
UPPER DIRECTION : 0.05MAXIMUM, LOWER DIRECTION : 0.15 MAXIMUM.
- 4.偶数極に適用。  
APPLY FOR EVEN CIRCUIT.
- 5.パターンはく離止め金具。  
FITTING NAIL FOR PREVENTION OF PEELING OF P.W.BOARD PATTERN.
- 6.R0.3は、FPCの導体部にかからないこと  
R0.3 MUST NOT BE OVERLAPPED TO PATTERN OF FPC.



22.2	21.4	17.15	16.0	52559-3353	33
18.2	17.4	13.15	12.0	52559-2553	25
16.7	15.9	11.65	10.5	52559-2253	22
14.7	13.9	9.65	8.5	52559-1853	18
13.7	12.9	8.65	7.5	52559-1653	16
12.2	11.4	7.15	6.0	52559-1353	13
9.70	8.90	4.65	3.5	52559-0853	8
D	C	B	(A)	ORDER No.	CKT.

THIS DRAWING CONTAINS INFORMATION THAT IS PROPRIETARY TO MOLEX ELECTRONIC TECHNOLOGIES, LLC AND SHOULD NOT BE USED WITHOUT WRITTEN PERMISSION							
DIMENSION UNITS	SCALE	CURRENT REV DESC:					
mm	10:1	<p style="text-align: center;"><b>molex</b></p> <p style="text-align: center;">0.5 FPC CONN ASSY ZIF FOR SMT EMBSTP PKG -LEAD FREE-</p> <p style="text-align: center;">PRODUCT CUSTOMER DRAWING</p>					
GENERAL TOLERANCES (UNLESS SPECIFIED)							
ANGULAR TOL	± 3.0°						
4 PLACES	± 0.2						
3 PLACES	± 0.2						
2 PLACES	± 0.2	INITIAL REVISION:	DOCUMENT NUMBER	DOC TYPE	DOC PART	REVISION	
1 PLACE	± 0.25	DRWN: MNABEI	SD-52559-050	PSD	001	J	
0 PLACES	± 0.3	APPR: NUKITA	2005/04/27				
DRAFT WHERE APPLICABLE MUST REMAIN WITHIN DIMENSIONS		THIRD ANGLE PROJECTION	DRAWING	SERIES	MATERIAL NUMBER	CUSTOMER	SHEET NUMBER
			A3-SIZE	52559	SEE TABLE	GENERAL MARKET	1 OF 5



FPC構成推奨仕様  
STRUCTURE OF FPC

FPCについて:  
打抜き方向は導体側から補強板側を推奨致します。  
補強フィルム材質はポリイミドを推奨致します。  
接着剤は熱硬化接着剤を推奨致します。

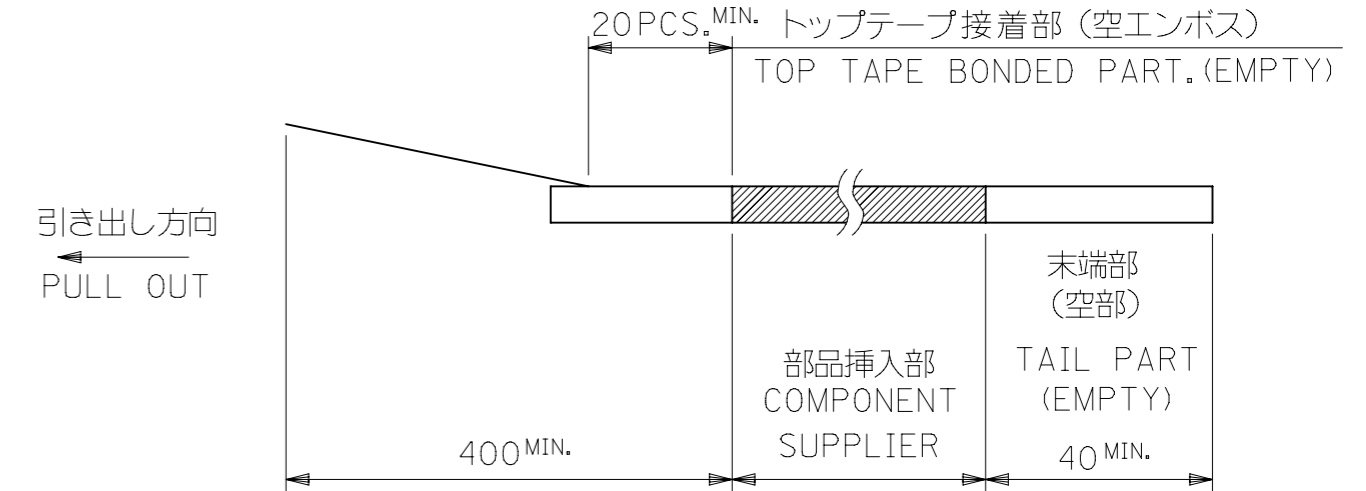
ABOUT FPC :  
RECOMMENDED PUNCHER DIRECTION : FROM CONDUCTOR SIDE TO STIFFENER BOARD SIDE.  
RECOMMENDED MATERIAL :  
STIFFENER FILM : POLYIMIDE  
BONDING AGENT : THERMOSETTING BONDING AGENT

FFC構成推奨仕様  
STRUCTURE OF FFC

THIS DRAWING CONTAINS INFORMATION THAT IS PROPRIETARY TO MOLEX ELECTRONIC TECHNOLOGIES, LLC AND SHOULD NOT BE USED WITHOUT WRITTEN PERMISSION											
DIMENSION UNITS		SCALE		CURRENT REV DESC:						<b>molex</b>	
mm		5:1									
GENERAL TOLERANCES (UNLESS SPECIFIED)				EC NO: 176518						0.5 FPC CONN ASSY ZIF FOR SMT EMBSTP PKG -LEAD FREE-	
ANGULAR TOL $\pm 3.0^\circ$				DRWN: TNAKAGAWA01 2018/05/09						PRODUCT CUSTOMER DRAWING	
4 PLACES $\pm 0.2$				CHK'D: RTAKEUCHI 2018/05/14						DOCUMENT NUMBER	
3 PLACES $\pm 0.2$				APPR: RTAKEUCHI 2018/05/14						SD-52559-050	
2 PLACES $\pm 0.2$				INITIAL REVISION:						DOC TYPE	
1 PLACE $\pm 0.25$				DRWN: MNABEI 2005/04/27						PSD	
0 PLACES $\pm 0.3$				APPR: NUKITA 2005/05/06						001	
DRAFT WHERE APPLICABLE MUST REMAIN WITHIN DIMENSIONS				THIRD ANGLE PROJECTION		DRAWING		SERIES		SHEET NUMBER	
				A3-SIZE		52559		SEE SHEET 1		2 OF 5	

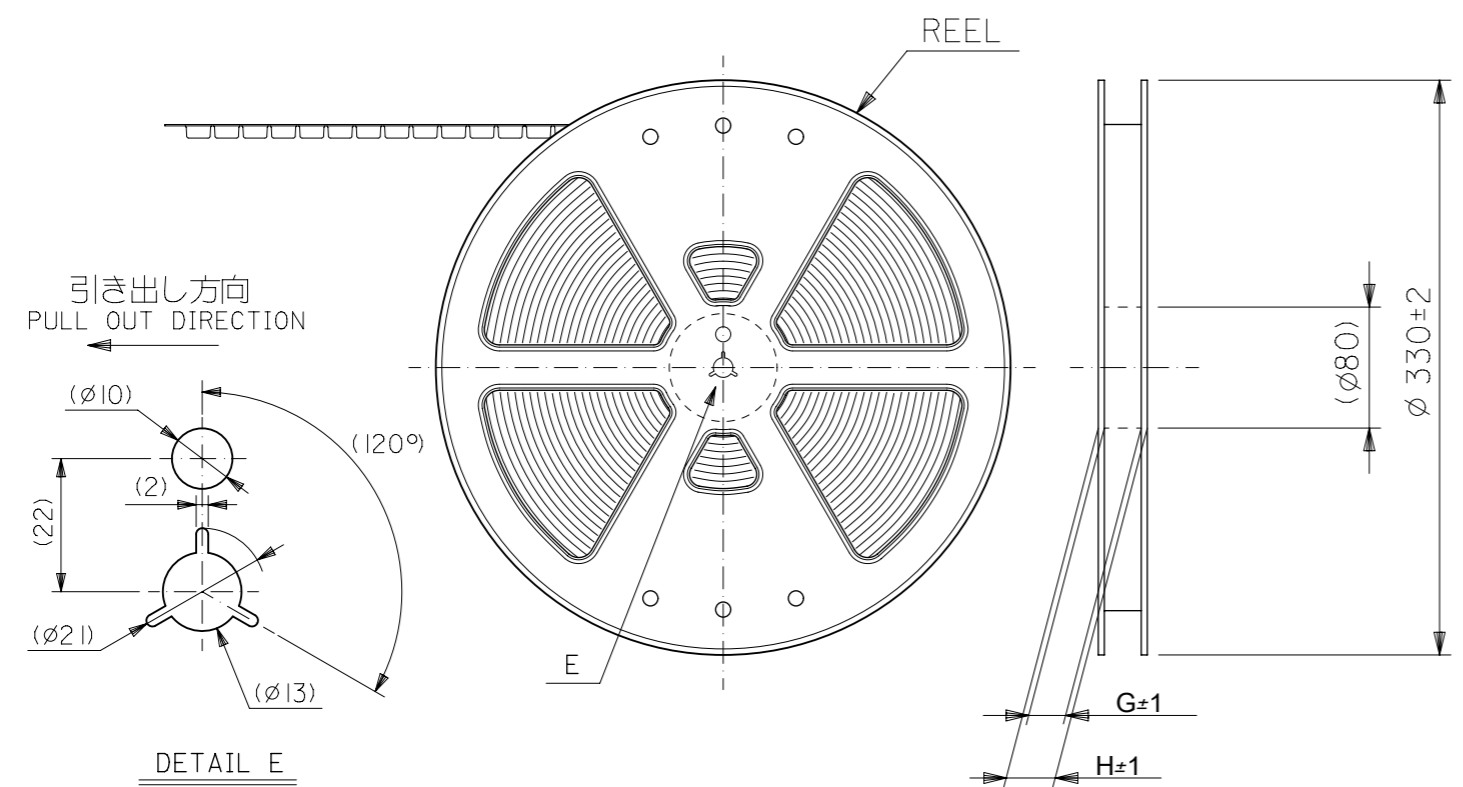
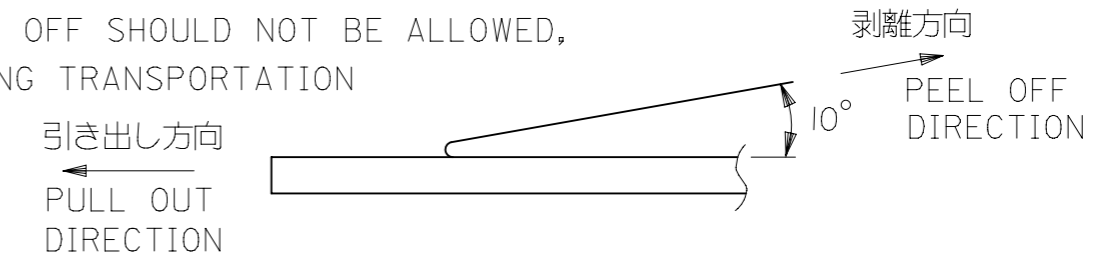
注記 NOTES

1. 梱包状態はアクチュエータがロックした状態とする。  
IN THE PACKAGE, ACTUATOR SHOULD BE LOCKED.
2. 梱包数量：1000個/リール  
NUMBER OF CONNECTORS:1000PCS/REEL
3. リードテープ長さ LEAD TAPE LENGTH



4. トップテープの剥離強度：(剥離方向は下図参照)  
0.1N~1.3N {10gf~130gf} 尚、本規格値は、出荷時に適用。  
(但し、輸送時に剥離が発生しない事。)

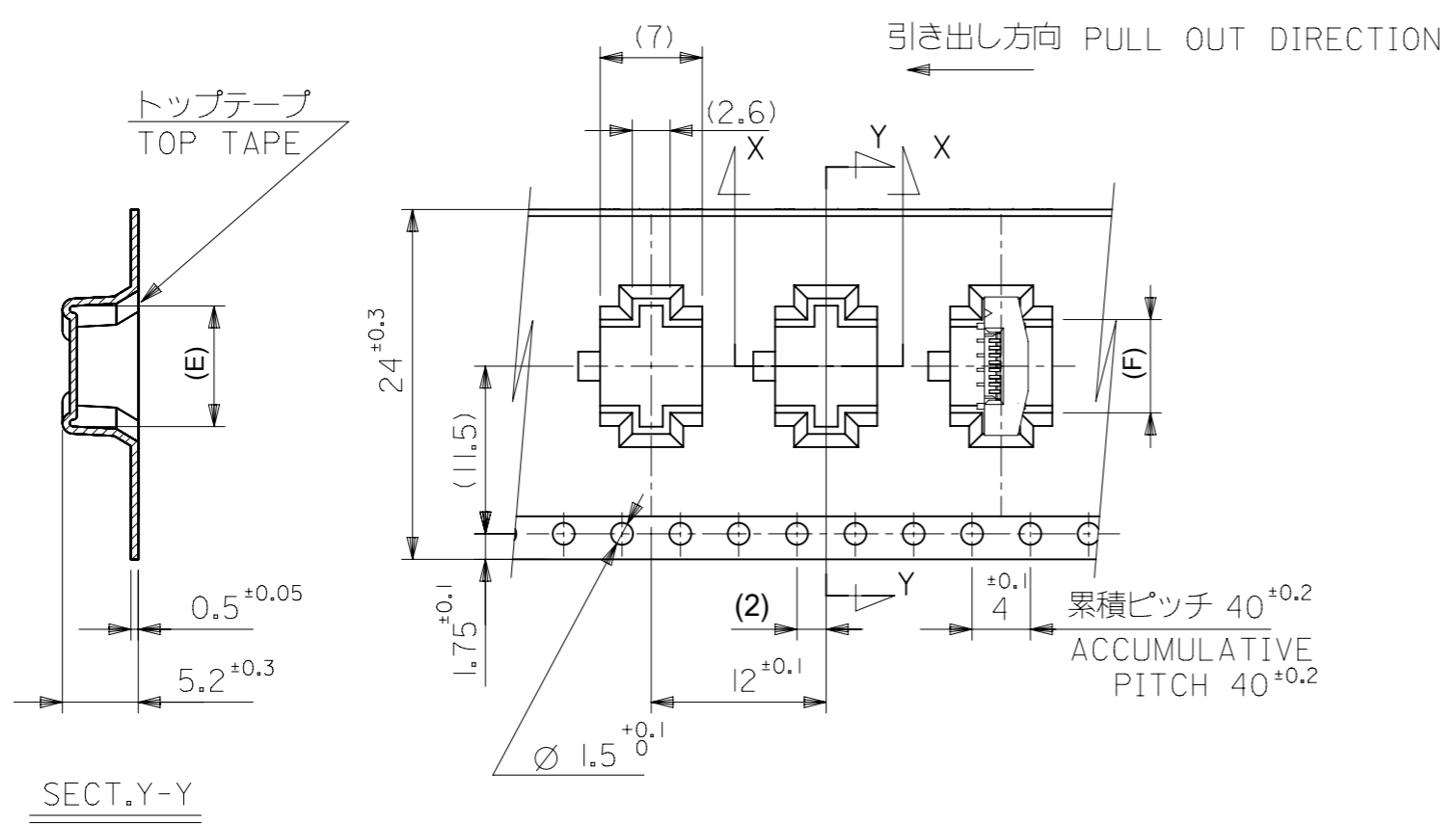
PEELING OFF FORCE OF TOP TAPE  
0.1N~1.3N{10gf~130gf}(PEELING DIRECTION AS SHOWN IN FOLLOWING FIG.)  
THIS REQUIREMENT SHOULD BE APPLIED AT SHIPMENT  
PEEL OFF SHOULD NOT BE ALLOWED,  
DURING TRANSPORTATION



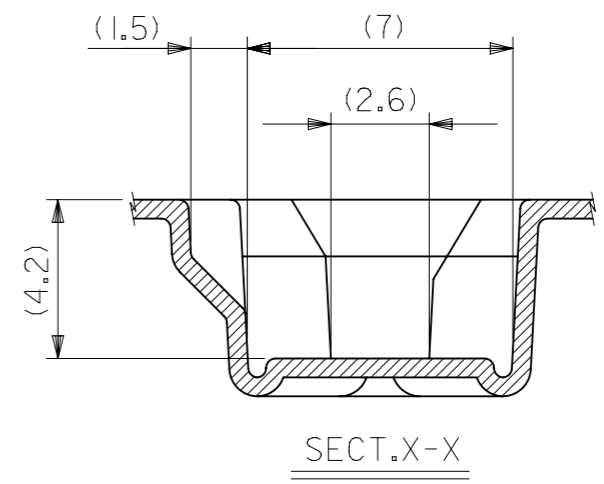
5. 材料  
 キャリアテープ：ポリプロピレン (PP)  
 トップテープ：PET, PE, PEF  
 リール：ポリスチレン (PS) <リサイクル材を含む>  
 MATERIAL CARRIER TAPE:POLYPROPYLENE  
 TOP TAPE:PET,PE,PEF  
 REEL:POLYSTYRENE (PS)  
 <RECYCLE MATERIAL CONTAINED>

6. 本製品は52559-\*\*52のエンボステープ違い品である。  
 THIS PRODUCT IS EMBOSSED TAPE DIFFERENCE ARTICLE OF 52559-\*\*52.

THIS DRAWING CONTAINS INFORMATION THAT IS PROPRIETARY TO MOLEX ELECTRONIC TECHNOLOGIES, LLC AND SHOULD NOT BE USED WITHOUT WRITTEN PERMISSION									
DIMENSION UNITS mm		SCALE ±±		CURRENT REV DESC:				<b>molex</b>	
GENERAL TOLERANCES (UNLESS SPECIFIED)		EC NO: 176518		DRWN: TNAKAGAWA01 2018/05/09		0.5 FPC CONN ASSY ZIF FOR SMT EMBSTP PKG -LEAD FREE-			
ANGULAR TOL ± 3.0°		4 PLACES ± 0.2		CHK'D: RTAKEUCHI 2018/05/14		PRODUCT CUSTOMER DRAWING		DOCUMENT NUMBER	
3 PLACES ± 0.2		2 PLACES ± 0.2		APPR: RTAKEUCHI 2018/05/14		INITIAL REVISION:		SD-52559-050	
1 PLACE ± 0.25		0 PLACES ± 0.3		DRWN: MNABEI 2005/04/27		APPR: NUKITA 2005/05/06		PSD 001 J	
DRAFT WHERE APPLICABLE MUST REMAIN WITHIN DIMENSIONS		THIRD ANGLE PROJECTION		DRAWING A3-SIZE		SERIES 52559		MATERIAL NUMBER SEE SHEET 4-5	
CUSTOMER GENERAL MARKET		SHEET NUMBER 3 OF 5							



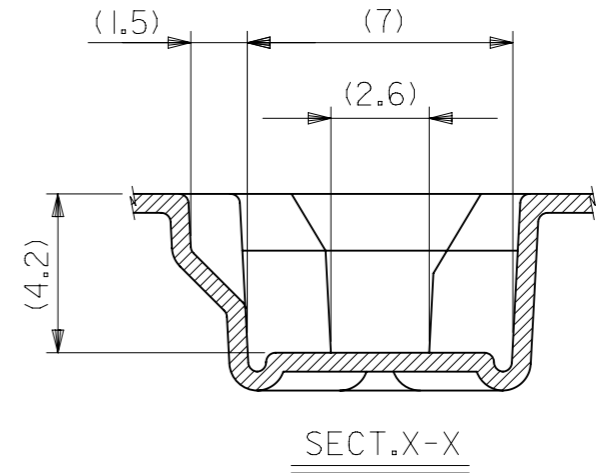
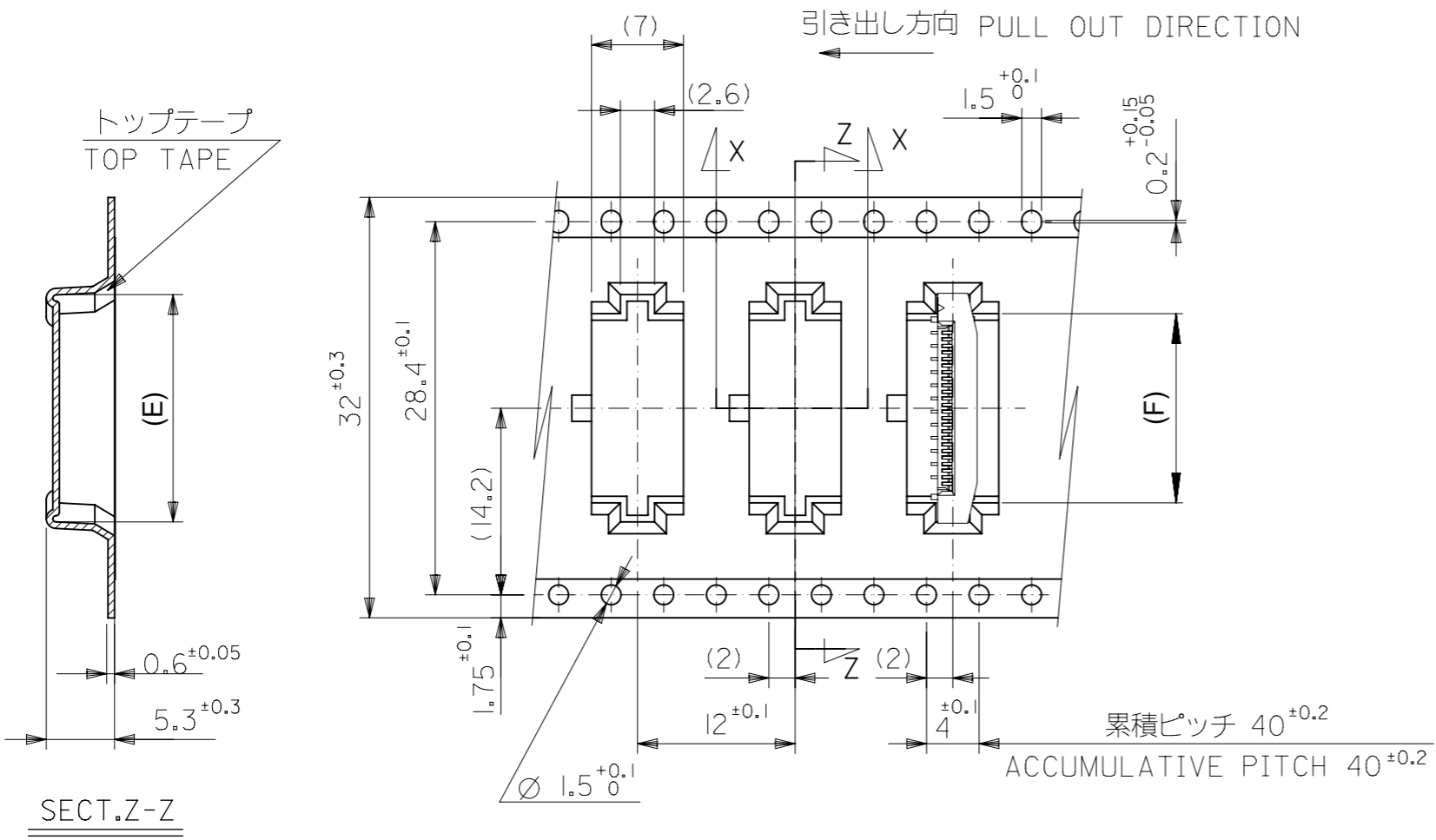
24mm幅キャリアテープ  
24mm WIDTH CARRIER TAPE



24	29.4	25.4	13.4	16.3	52559-2253	22		
			11.4	14.3	52559-1853	18		
			10.4	13.3	52559-1653	16		
			8.9	11.8	52559-1353	13		
			6.4	9.3	52559-0853	8		
CARRIER TAPE WIDTH			H	G	(F)	(E)	ORDER No.	CKT.

THIS DRAWING CONTAINS INFORMATION THAT IS PROPRIETARY TO MOLEX ELECTRONIC TECHNOLOGIES, LLC AND SHOULD NOT BE USED WITHOUT WRITTEN PERMISSION

DIMENSION UNITS <b>mm</b>	SCALE <b>±±</b>	CURRENT REV DESC:		<b>molex</b>			
GENERAL TOLERANCES (UNLESS SPECIFIED)		EC NO: 176518					
ANGULAR TOL	± 3.0 °	DRWN: TNAKAGAWA01 2018/05/09		PRODUCT CUSTOMER DRAWING			
4 PLACES	± 0.2	CHK'D: RTAKEUCHI 2018/05/14		DOCUMENT NUMBER			
3 PLACES	± 0.2	APPR: RTAKEUCHI 2018/05/14		SD-52559-050			
2 PLACES	± 0.2	INITIAL REVISION:		DOC TYPE			
1 PLACE	± 0.25	DRWN: MNABEI 2005/04/27		PSD			
0 PLACES	± 0.3	APPR: NUKITA 2005/05/06		DOC PART			
DRAFT WHERE APPLICABLE MUST REMAIN WITHIN DIMENSIONS		THIRD ANGLE PROJECTION	DRAWING	SERIES	MATERIAL NUMBER	CUSTOMER	REVISION
			A3-SIZE	52559	SEE TABLE	GENERAL MARKET	J
							4 OF 5



32mm幅キャリアテープ  
32mm WIDTH CARRIER TAPE

32	37.4	33.4	18.9	21.8	52559-3353	33
			14.9	17.8	52559-2553	25
CARRIER TAPE WIDTH		H	G	(F)	(E)	ORDER No. CKT.

THIS DRAWING CONTAINS INFORMATION THAT IS PROPRIETARY TO MOLEX ELECTRONIC TECHNOLOGIES, LLC AND SHOULD NOT BE USED WITHOUT WRITTEN PERMISSION						
DIMENSION UNITS	SCALE	CURRENT REV DESC:			<b>molex</b>	
mm	±±					
GENERAL TOLERANCES (UNLESS SPECIFIED)		EC NO: 176518			0.5 FPC CONN ASSY ZIF FOR SMT EMBSTP PKG -LEAD FREE-	
ANGULAR TOL	± 3.0 °	DRWN: TNAKAGAWA01 2018/05/09				
4 PLACES	± 0.2	CHK'D: RTAKEUCHI 2018/05/14				
3 PLACES	± 0.2	APPR: RTAKEUCHI 2018/05/14			PRODUCT CUSTOMER DRAWING	
2 PLACES	± 0.2	INITIAL REVISION:			DOCUMENT NUMBER	
1 PLACE	± 0.25	DRWN: MNABEI 2005/04/27			SD-52559-050	
0 PLACES	± 0.3	APPR: NUKITA 2005/05/06			DOC TYPE	DOC PART
DRAFT WHERE APPLICABLE MUST REMAIN WITHIN DIMENSIONS		THIRD ANGLE PROJECTION	DRAWING	SERIES	MATERIAL NUMBER	CUSTOMER
			A3-SIZE	52559	SEE TABLE	GENERAL MARKET
						REVISION
						J
						SHEET NUMBER
						5 OF 5