

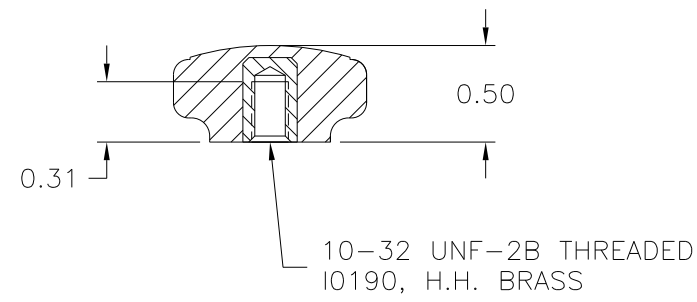
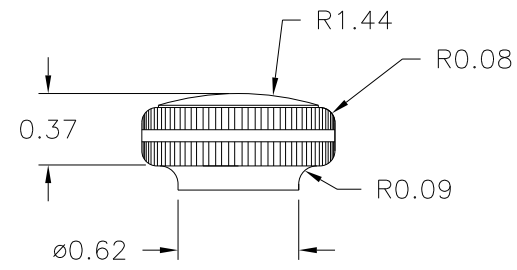
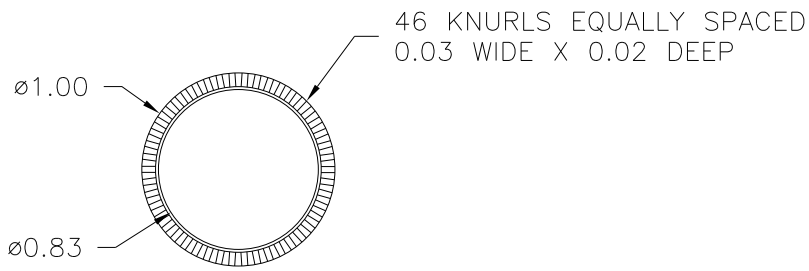
PART NAME: KNOB      SCALE: 1:1      DATE: 6/24/75      DR. BY NH

THIS DRAWING IS THE PROPERTY OF DAVIES MOLDING COMPANY, IS SUBMITTED SOLELY AS A DESIGN OR ENGINEERING PROJECT. WE ACCEPT NO RESPONSIBILITY WHATSOEVER FOR THE PRACTICAL APPLICATION OF THE PIECES MADE TO THIS DESIGN.



DESIGNERS & MANUFACTURERS OF KNOBS, HANDLES, CASES & CUSTOM PLASTIC COMPONENTS

|                  |              |
|------------------|--------------|
| P/N              | 3065-D       |
| M <sup>NO.</sup> | 1475         |
| CAVITY           | 3065         |
| PLUNGER          | 3065         |
| SHIMS            | 1 & 2        |
| SPACER           | 3065         |
| PIN              | 2965-BW      |
| INSERT           | 10190        |
| PLUNGER KEY      | 1/4x1/4x7/16 |
| CAVITY KEY       | 1/4x1/4x1/2  |



Ⓐ  
MATERIAL: G.P. PHENOLIC (B11)  
COLOR: BLACK

|   |                                  |   |                 |    |         |
|---|----------------------------------|---|-----------------|----|---------|
| TOLERANCES:<br>UNLESS OTHERWISE SPECIFIED | DO NOT SCALE<br>DRAWING          | - | RE-DID REDRAW   | TL | 12/1/99 |
| DECIMALS: X.XXX ± .005<br>X.XX ± .015     | MM: X.XX ± 0.15MM<br>X.X ± 0.4MM | A | WAS 732-16 BLUE | HD | 10/7/97 |
| FRACTIONS ± 1/64                          | ANG. ± 1°                        | - | CAD REDRAW      | HD | 6/24/94 |
| CHANGES                                   |                                  |   |                 |    |         |