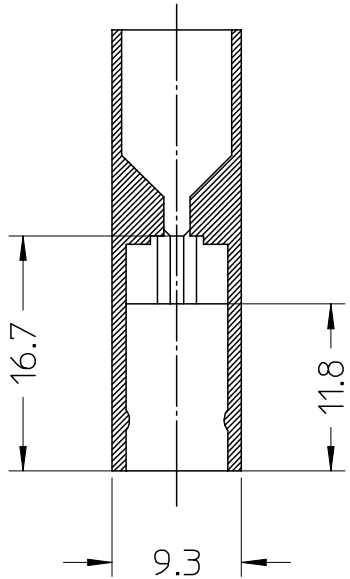
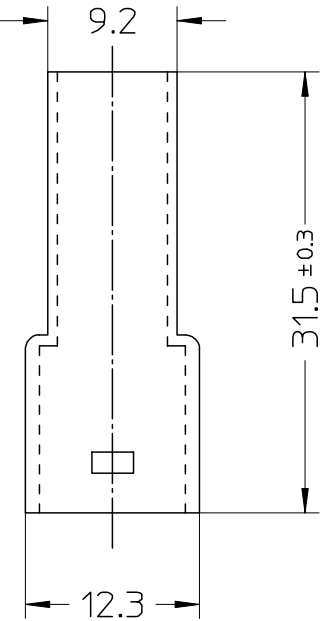


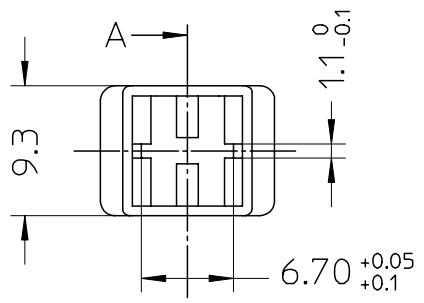
7 6 5 4 3 2 1

SECTION A-A



IMBALLO: 10.000 pz (SPQ), SCIOLTI IN SCATOLE DI CARTONE
 PACKAGING: 10.000 pcs (SPQ), LOOSE IN CARDBOARD BOXES

CARATTERISTICHE DI PRODOTTO SECONDO PS 94090-001
 PRODUCT CHARACTERISTICS ACCORDING TO PS 94090-001



CODICE / CODE	COLORE / COLOR	MATERIALE / MATERIAL
94090-4050	BIANCO / WHITE	PA 66 V2
94090-4051	NERO / BLACK	
94090-4052	ROSSO / RED	
94090-4054	BIANCO / WHITE	PA 66 FLAMMABILITY IEC 60335-1 REV.4 GWT 750 °C

STD DESCR: HSG FOR 6.3 M TERM

EC NO: Z2007-0046 TDRWN:FGOTTARD 2006/10/05 CHKDR:SANDANO 2006/10/05 APPR:GZUIN 2006/10/06	QUALITY SYMBOLS	GENERAL TOLERANCES (UNLESS SPECIFIED)		DIMENSION STYLE	SCALE	DESIGN UNITS	FIRST ANGLE PROJECTION	
	▽=0 □=0	mm	INCH	MM ONLY	2:1	METRIC	☉ □ FIRST ANGLE PROJECTION	
		4 PLACES ± ---	± ---	DRAWN BY	DATE	TITLE		
		3 PLACES ± ---	± ---	AMONTIN	1998/01/23	PORTAMASCHIO A 1 VIA 1 CKT HOUSING FOR MALE TERMINAL		
		2 PLACES ± 0.1	± ---	CHECKED BY	DATE	MOLEX INCORPORATED		
	1 PLACE ± 0.2	± ---	SSORATO	1998/01/23				
	ANGULAR ± 2 °		APPROVED BY	DATE				
			RMARTUCC	1998/01/23				
	DRAFT WHERE APPLICABLE MUST REMAIN WITHIN DIMENSIONS			MATERIAL NO.	DOCUMENT NO.	SHEET NO.		
				SEE CHART	SD-94090-003	1 OF 1		
				SIZE	THIS DRAWING CONTAINS INFORMATION THAT IS PROPRIETARY TO MOLEX INCORPORATED AND SHOULD NOT BE USED WITHOUT WRITTEN PERMISSION			
				A4				

6 5 4 3 2 1