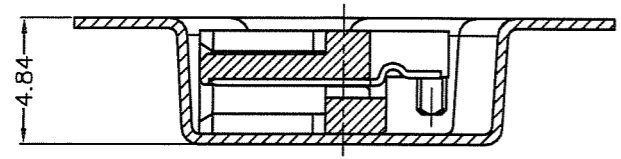
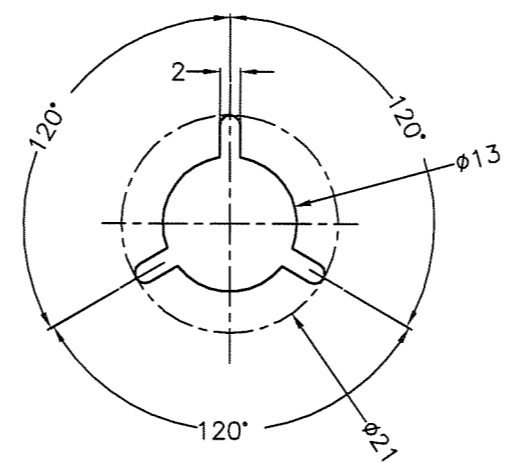
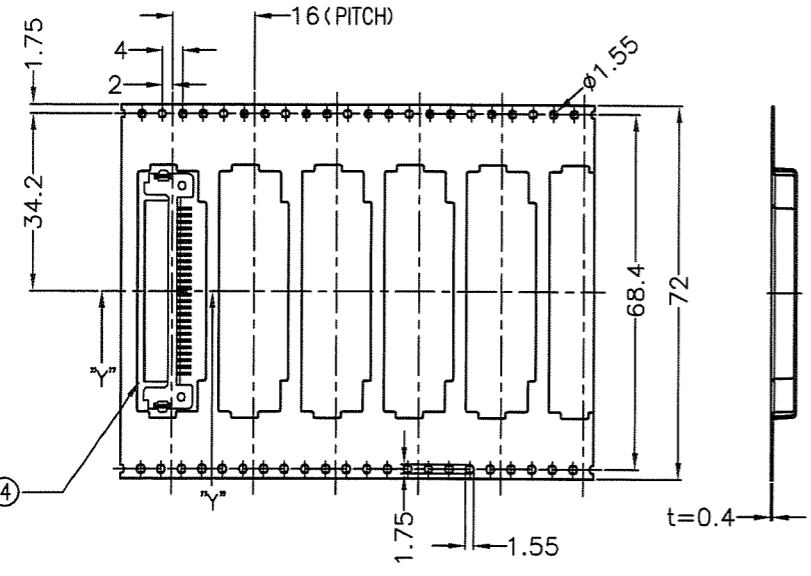
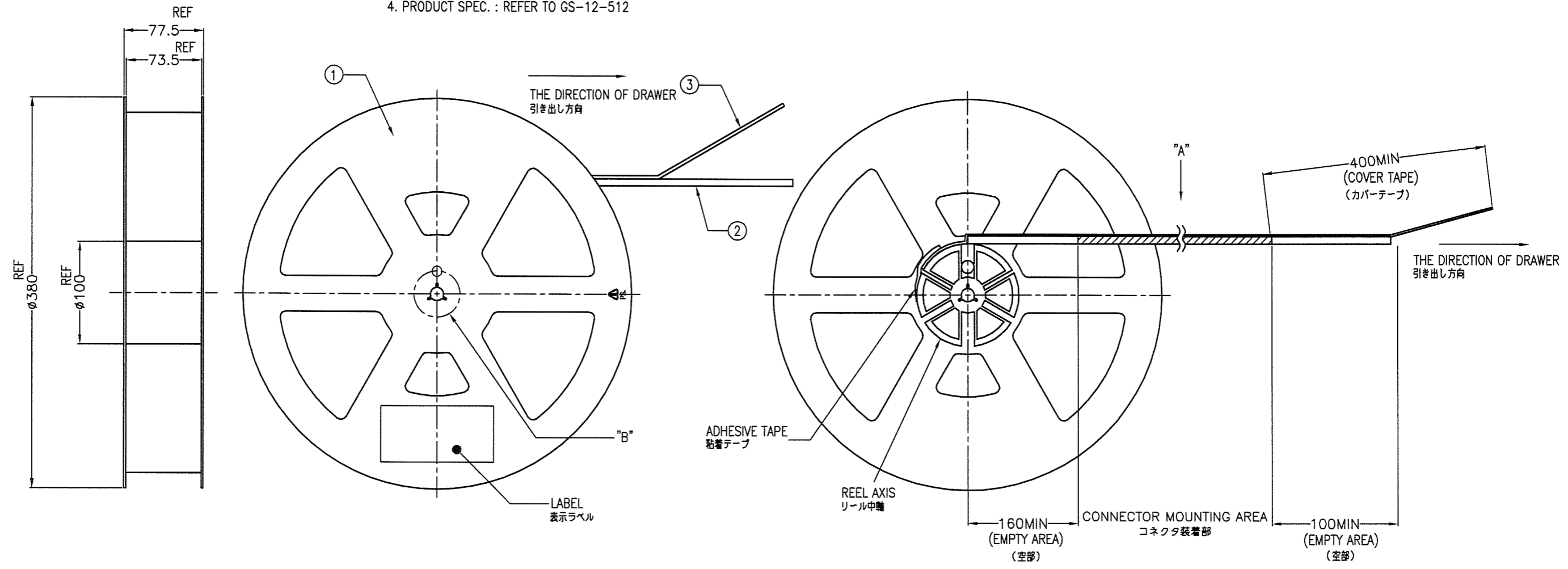


PRODUCT NO.	Connector QTY.	TOOLING AVAILABLE
10079510-001TLF	1,000	YES

NOTE
 1. THIS ARTICLE CARRIES OUT THE EMBOSS TAPE PACKAGE OF THE SERIAL-IVDR PLUG CONNECTOR.
 2. THE SHAPE AND DIMENSION OF THIS ARTICLE ARE BASED ON JIS C 0806.
 (TAPING OF ELECTRIC PARTS < SURFACE MOUNTED DEVICE)
 3. PACKAGING SPEC. : REFER TO GS-14-1285
 4. PRODUCT SPEC. : REFER TO GS-12-512

EMBOSS PACKAGE



PARTS TABLE 部品表

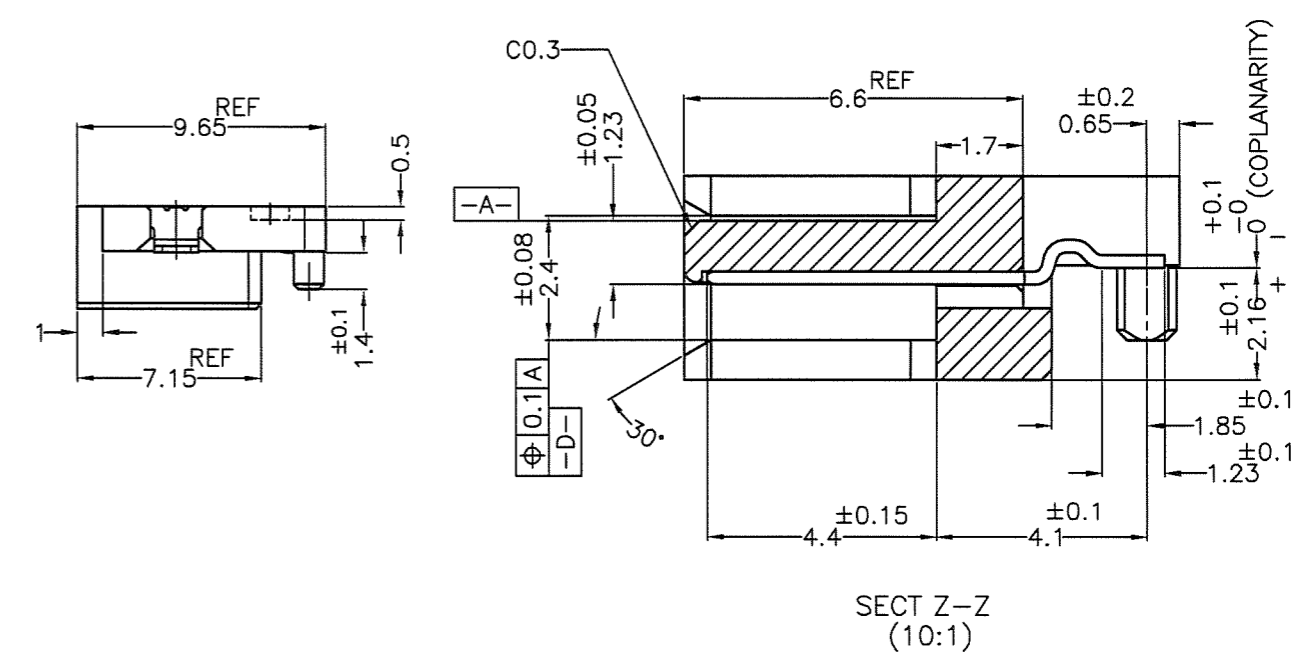
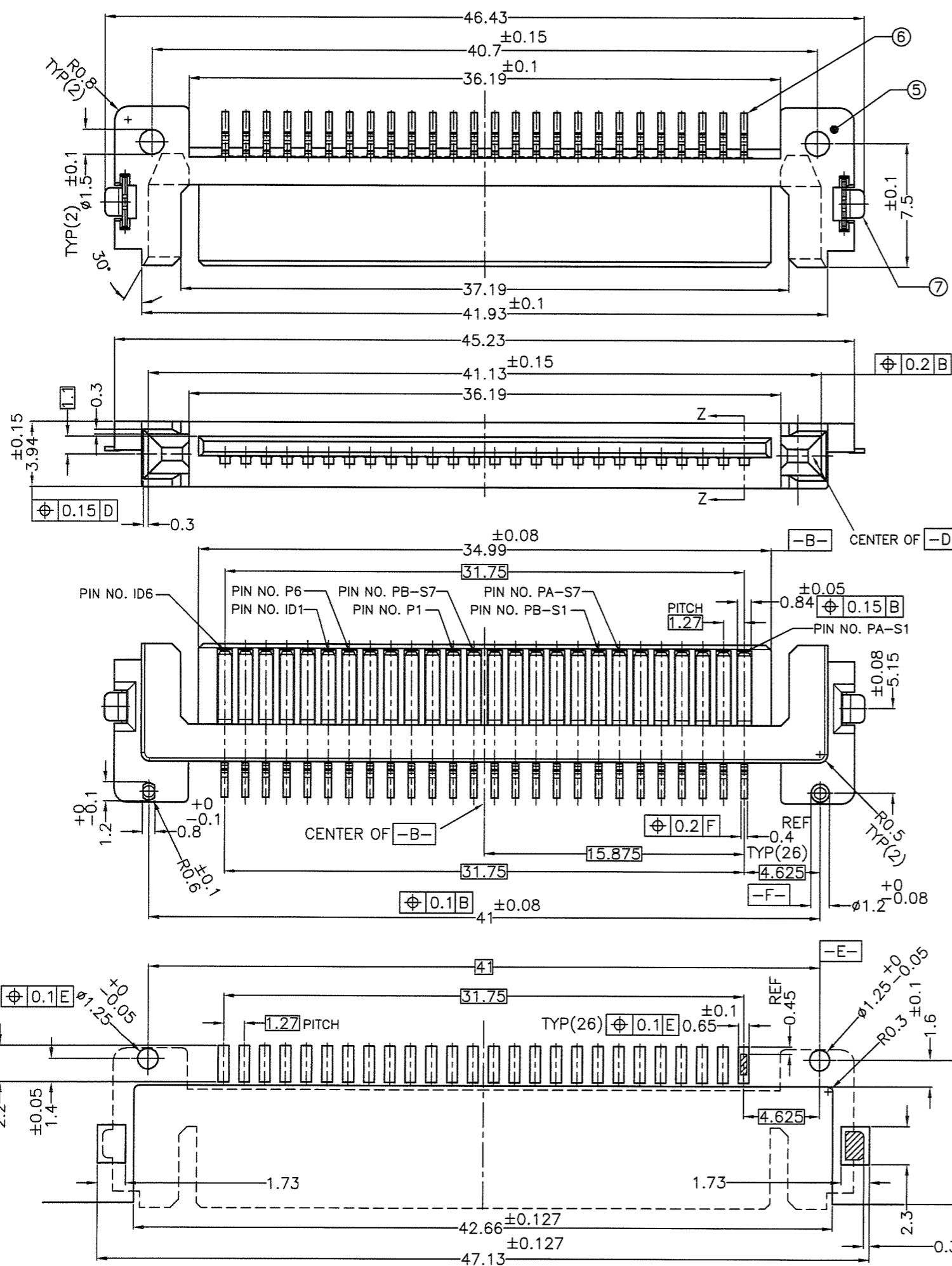
No.	PART NAME 部品名	Material 材質	QTY.	Note 備考
①	THE REEL FOR PACKAGING 梱包用リール	POLYSTYRENE ポリスチレン	1	Color : BLUE, ELECTRIFICATION PREVENTION PROCESSING 色 : 青、帯電防止処理品
②	EMBOSS TAPE エンボステープ	PET	1	ELECTRIFICATION PREVENTION PROCESSING 帯電防止処理品
③	COVER TAPE カバーテープ	POLYESTER ポリエステル	1	---
④	CONNECTOR コネクタ	SEE SHEET 2	1,000	---

mat'l. code	surface	tolerance	projection	product family	CODE
---	ISO 1302	ISO 408	mm	55SF Removable HDD	JP
itr	description	ecn no	dr	date	title
A	RELEASED	J08-0183	N.S	2008-5-13	ASSEMBLY
					S-IVDR COMB PLUG
					SMT HORIZONTAL TYPE
					dwg no
					sheet 1 of 2 size
					10079510
					A2
					type
					PRODUCT CUSTOMER Drawing
sheet	revision	A	A		Rev.
index	sheet	1	2		A

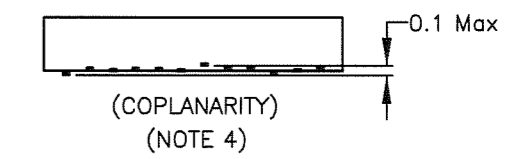
CONNECTOR ASSY

PARTS TABLE 部品表

No.	PART NAME 部品名	QTY.	NOTE 備考
⑤	HOUSING ハウジング	1	HIGH TEMP THERMOPLASTIC COLOR : BLACK , UL94V-0
⑥	CONTACT コンタクト	26	COPPER ALLOY CONTACT AREA : Au SOLDERING AREA : Au
⑦	SOLDER PEG 溶接金具	2	COPPER ALLOY TIN PLATING



- NOTE
- THIS PRODUCT MEETS THE Serial iVDR SPEC REV.1.0
 - MATERIAL
 - HOUSING : HIGH TEMPERATURE THERMOPLASTIC, BLACK, UL94V-0
 - TERMINAL, SOLDER PEG: COPPER ALLOY
 - FINISH
 - TERMINAL : ALL OVER Ni 1.27 μ m MIN.
CONTACT POINT Au PLATING 0.3 μ m MIN.
SOLDER TAIL Au Flash
 - SOLDER PEG: ALL OVER Ni 1.27 μ m MIN.
PURE-Sn 1.27 μ m MIN.
 - COPLANARITY : 0.1 MAX.



2	26	1	10079510-001LF
⑦ SOLDER PEG QTY	⑥ CONTACT QTY	⑤ HOUSING QTY	PRODUCT NO.

mat'l. code		surface	tolerance	projection	product family	CODE
---		iso 1302	iso 406	ϕ	55SF Removable HDD	JP
ltr		ecn no	dr	date	title	
A	RELEASED	J08-0183	N.S	2008-5-13	ASSEMBLY	
		angles	linear	0.XX	S-iVDR COMB PLUG	
		$\pm 2^\circ$	0.XXX	± 0.3	SMT HORIZONTAL TYPE	
		dr	N.SASAME	2008-5-13	dwg no	
		enr	N.SASAME	2008-5-13	sheet 2 of 2 size	
		chr	N.SASAME	2008-5-13	10079510	
		appd	N.SASAME	2008-5-13	A2	
sheet index		revision sheet			type	PRODUCT CUSTOMER Drawing
						Rev. A