

NBC-M12MSD/73,0-93R/R4AC - Network cable



1081453

<https://www.phoenixcontact.com/us/products/1081453>

Please be informed that the data shown in this PDF document is generated from our online catalog. Please find the complete data in the user documentation. Our general terms of use for downloads are valid.



Network cable, PROFINET CAT5 (100 Mbps), EtherCAT® CAT5 (100 Mbps), 4-position, shielded, Plug straight M12, coding: D, on Plug straight RJ45 / IP20, cable length: 73 m

Commercial data

Item number	1081453
Packing unit	1 pc
Minimum order quantity	5 pc
Note	Made to order (non-returnable)
Sales key	BF04
Product key	BF1CJN
GTIN	4055626809878
Weight per piece (including packing)	4,430.01 g
Weight per piece (excluding packing)	4,430.01 g
Customs tariff number	85444290
Country of origin	PL

1081453

<https://www.phoenixcontact.com/us/products/1081453>

Technical data

Product properties

Product type	Data cable preassembled
Sensor type	PROFINET
Number of positions	4
Application	Standard
No. of cable outlets	1
Shielded	yes
Coding	D

Interfaces

Bus system	PROFINET
Signal type/category	PROFINET CAT5 (IEC 11801), 100 Mbps EtherCAT® CAT5 (IEC 11801), 100 Mbps

Signaling

Status display	No
Status display present	No

Electrical properties

Nominal voltage U_N	48 V AC
	60 V DC
Nominal current I_N	1 A
Transmission medium	Copper

Connector

Connection 1

Type	Plug straight M12
Coding type	D (Data)
Material	CuZn (Contact)
	Ni/Au (Contact surface)
	PA (Contact carriers)
	TPU, hardly inflammable, self-extinguishing (Grip)
	Zinc die-cast, nickel-plated (Screw connection)

Connection 2

Type	Plug straight RJ45 / IP20
Number of positions	4 (8)
Material	CuSn (Contact)
	Ni/Au (Contact surface)
	PC (Contact carriers)
	PA (Housing)
Number of positions	4

NBC-M12MSD/73,0-93R/R4AC - Network cable



1081453


<https://www.phoenixcontact.com/us/products/1081453>

Degree of protection	IP20
----------------------	------

Cable/line

Cable length	73 m
--------------	------

PROFINET robot CAT5 [93R]

Dimensional drawing	
Cable weight	55 kg/km
UL AWM Style	20233 (80°C/300 V)
Number of positions	4
Shielded	yes
Cable type	PROFINET robot CAT5 [93R]
Conductor structure	1x4xAWG22/19, S/TQ
Signal runtime	4.8 ns/m
Conductor structure signal line	19x 0.15 mm
AWG signal line	22
Conductor cross section	4x 0.34 mm ²
Wire diameter incl. insulation	1.5 mm
External cable diameter	6.5 mm ±0.2 mm
Outer sheath, material	PUR
External sheath, color	green RAL 6018
Conductor material	Tin-plated Cu litz wires
Material wire insulation	Foamed PE
Single wire, color	white, yellow, blue, orange
Thickness, outer sheath	approx. 1 mm
Overall twist	Star quad
Optical shield covering	85 %
Insulation resistance	≥ 500 MΩ*km
Loop resistance	≤ 120.00 Ω/km
Wave impedance	100 Ω ±5 Ω (at 100 MHz)
Nominal voltage, cable	300 V
Test voltage Core/Core	2000 V (50 Hz, 1 min.)
Test voltage Core/Shield	2000 V (50 Hz, 1 min.)
Minimum bending radius, fixed installation	5 x D
Torsion force	± 180 °/m
Torsion cycles	1000000
	2.9 dB (with 1 MHz)

NBC-M12MSD/73,0-93R/R4AC - Network cable



1081453

<https://www.phoenixcontact.com/us/products/1081453>

Shield attenuation	5 dB (at 4 MHz)
	8.1 dB (at 10 MHz)
	10.4 dB (at 16 MHz)
	11.9 dB (at 20 MHz)
	15.5 dB (at 31.25 MHz)
	26.5 dB (at 62.5 MHz)
	41 dB (at 100 MHz)
Halogen-free	according to IEC 60754-1
Flame resistance	according to IEC 60332-1-2
Resistance to oil	in accordance with DIN EN 60811-2-1
Other resistance	UV resistant According to UL 1581, Section 1200
Ambient temperature (operation)	-40 °C ... 80 °C
	-40 °C ... 80 °C
Ambient temperature (installation)	-20 °C ... 60 °C

Environmental and real-life conditions

Ambient conditions

Degree of protection	IP65 (M12 connector)
	IP67 (M12 connector)
	IP20 (RJ45 connector)
Ambient temperature (operation)	-25 °C ... 85 °C (M12 connector)
	-25 °C ... 80 °C (RJ45 connector)

Standards and regulations

M12

Standard designation	M12 connector
Standards/specifications	IEC 61076-2-101

NBC-M12MSD/73,0-93R/R4AC - Network cable

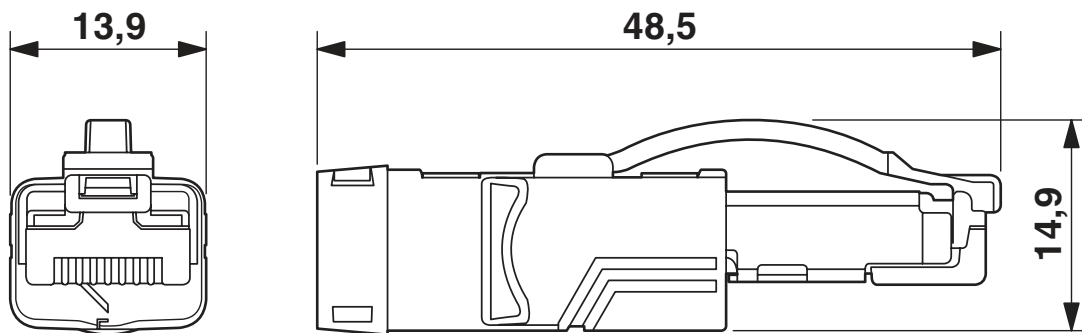


1081453

<https://www.phoenixcontact.com/us/products/1081453>

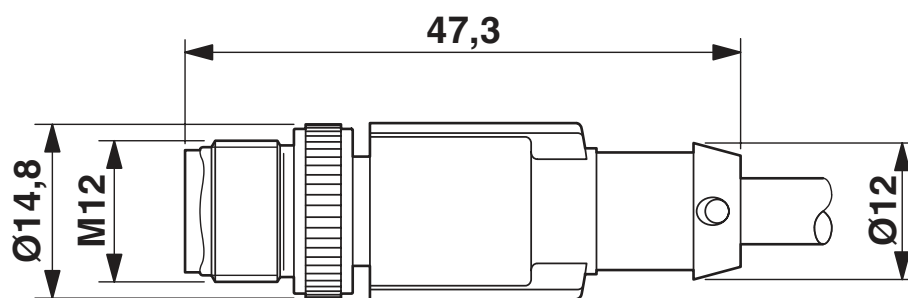
Drawings

Dimensional drawing



RJ45 connector, IP20

Dimensional drawing



Plug, M12 x 1, straight, shielded

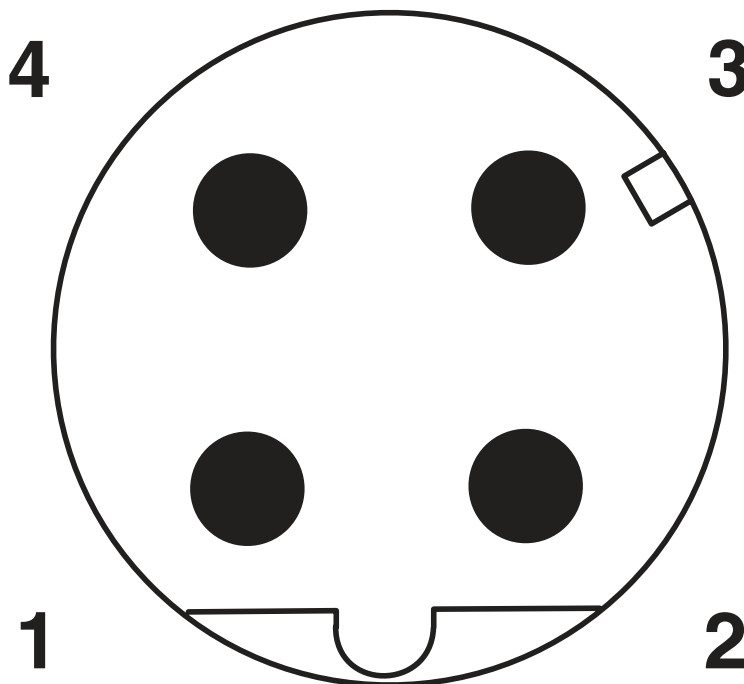
NBC-M12MSD/73,0-93R/R4AC - Network cable

1081453

<https://www.phoenixcontact.com/us/products/1081453>



Schematic diagram

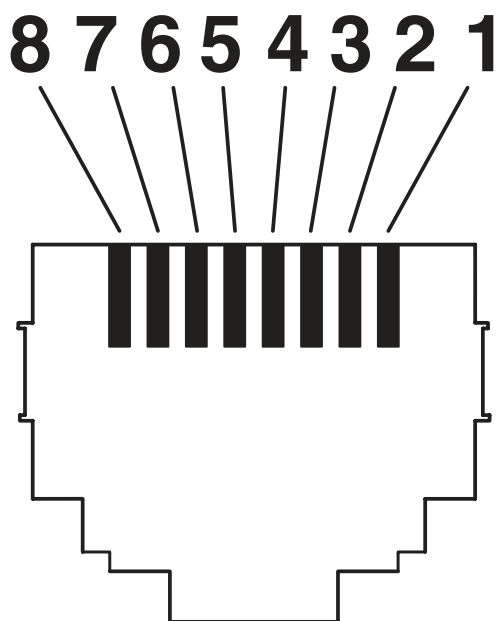


Pin assignment M12 male connector, 4-pos., D-coded, male side

1081453

<https://www.phoenixcontact.com/us/products/1081453>

Schematic diagram



Connector pin assignment plug RJ45

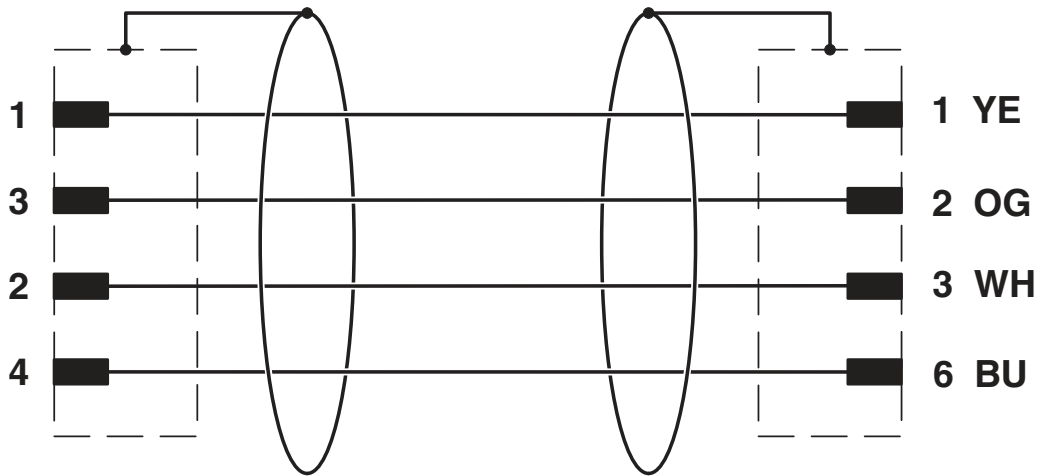
NBC-M12MSD/73,0-93R/R4AC - Network cable



1081453

<https://www.phoenixcontact.com/us/products/1081453>

Circuit diagram



NBC-M12MSD/73,0-93R/R4AC - Network cable



1081453

<https://www.phoenixcontact.com/us/products/1081453>

Approvals

🔗 To download certificates, visit the product detail page: <https://www.phoenixcontact.com/us/products/1081453>



EAC-RoHS

Approval ID: RU D-DE.HB35.B.00385

NBC-M12MSD/73,0-93R/R4AC - Network cable



1081453

<https://www.phoenixcontact.com/us/products/1081453>

Classifications

ECLASS

ECLASS-11.0	27060307
ECLASS-12.0	27060307
ECLASS-13.0	27060307

ETIM

ETIM 8.0	EC001855
----------	----------

UNSPSC

UNSPSC 21.0	26121600
-------------	----------

NBC-M12MSD/73,0-93R/R4AC - Network cable



1081453

<https://www.phoenixcontact.com/us/products/1081453>

Environmental product compliance

China RoHS	Environmentally friendly use period: unlimited = EFUP-e
	No hazardous substances above threshold values

Phoenix Contact 2023 © - all rights reserved
<https://www.phoenixcontact.com>

Phoenix Contact USA
586 Fulling Mill Road
Middletown, PA 17057, United States
(+717) 944-1300
info@phoenixcon.com