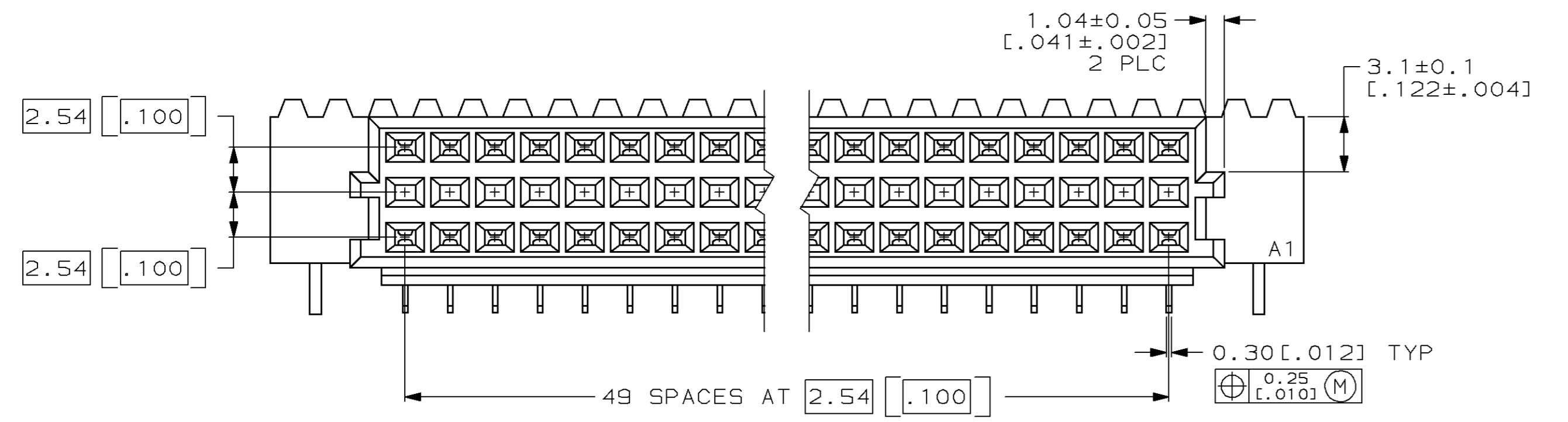
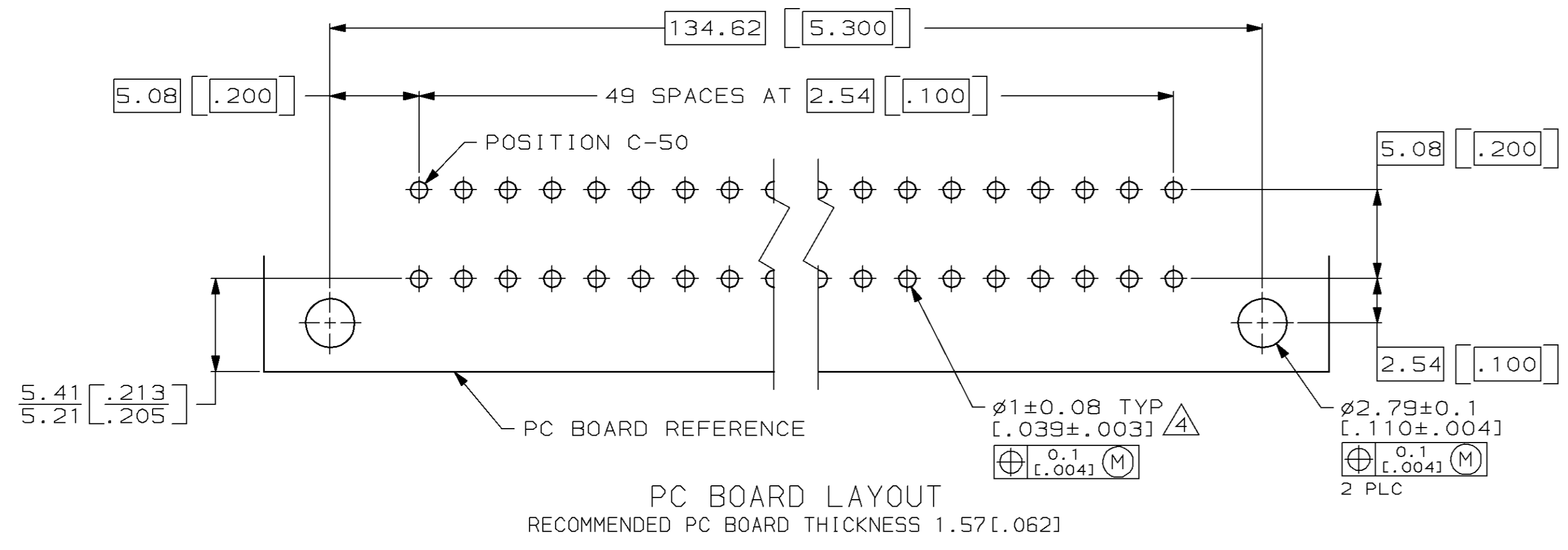
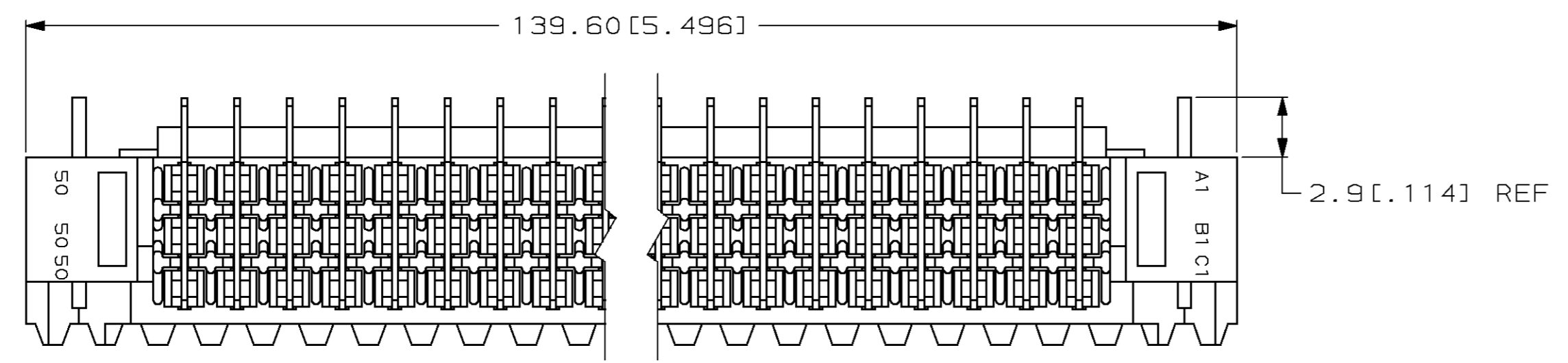
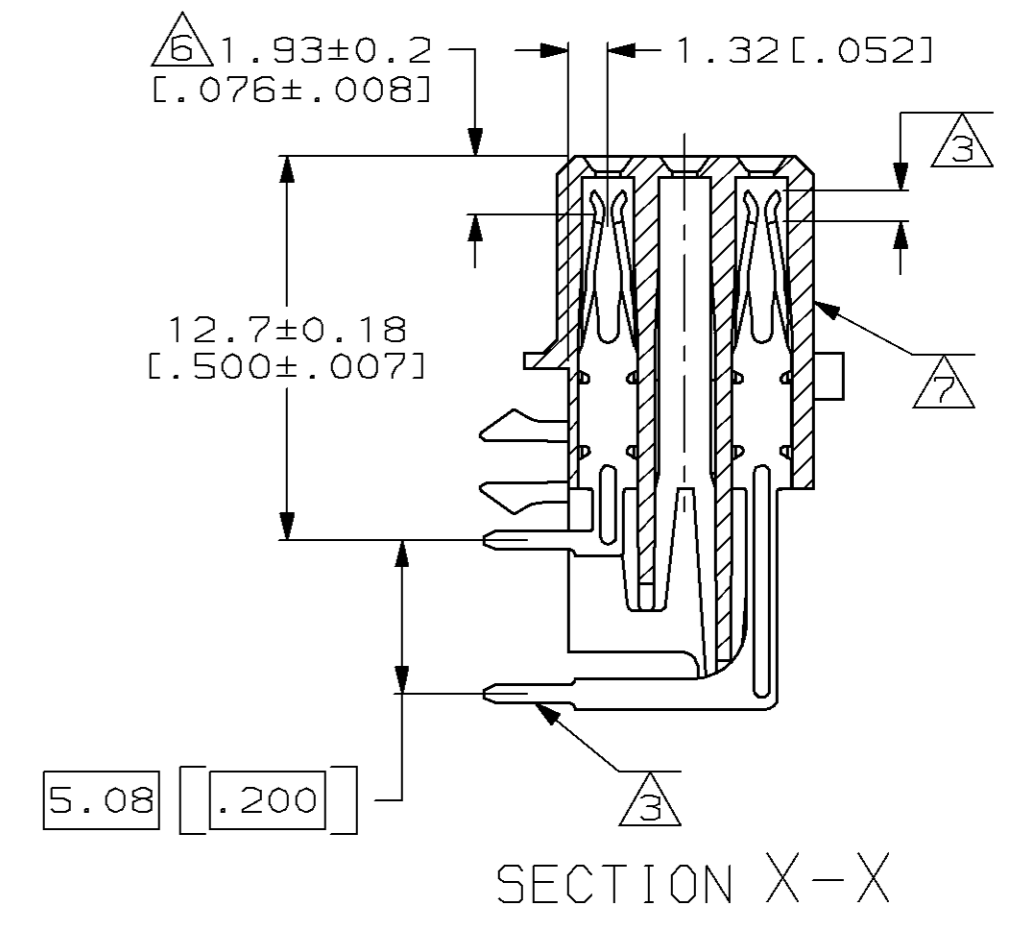
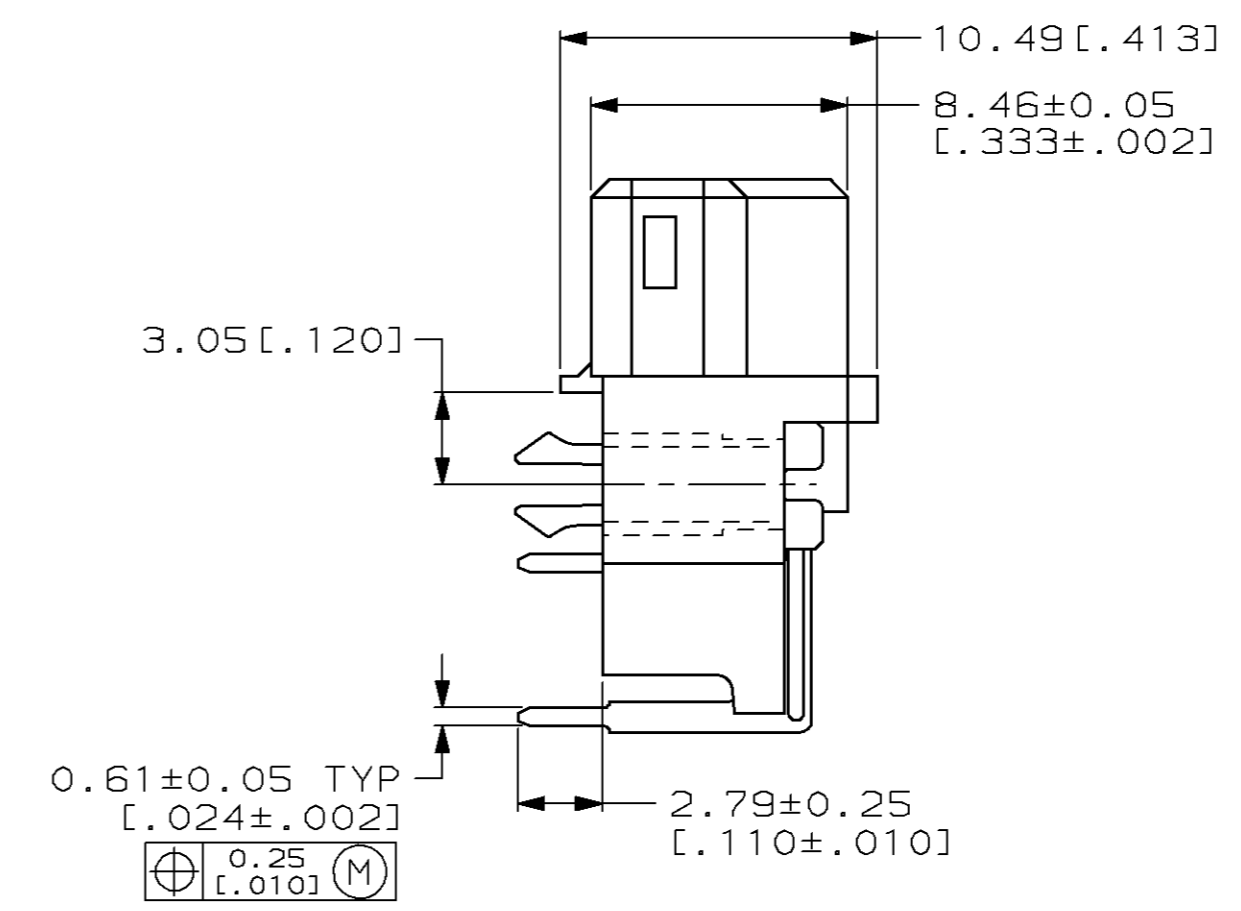
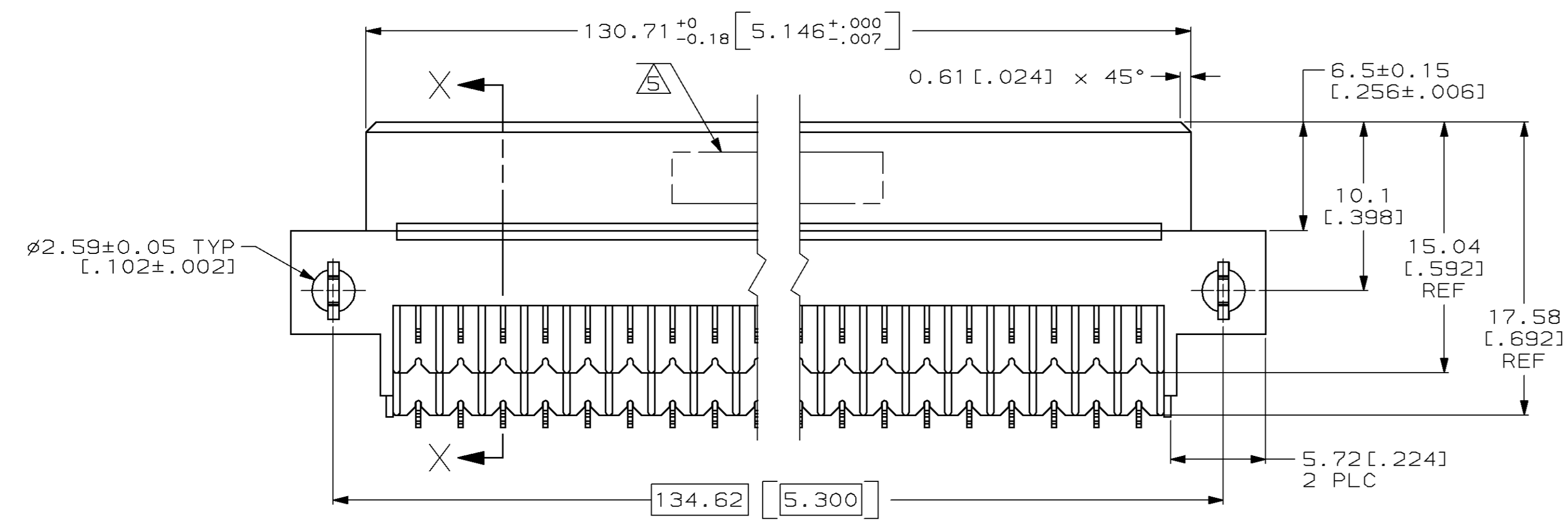


LOC		DIST		P		ZONE		LTR		REVISIONS		
AD	25									DESCRIPTION	DATE	APPD
						G	EC	0504-0052-96			6/27/97	CR



- ① HOUSING MATERIAL: GLASS-FILLED POLYESTER. COLOR: GRAY.
- ② CONTACT MATERIAL: PHOSPHOR BRONZE.
- ③ CONTACT FINISH: DIN 41612 CLASS 2 ON CONTACT AREA. TIN-LEAD ON POSTS.
- ④ RECOMMENDED HOLE SIZE FOR MANUAL APPLICATION OF CONNECTOR ONTO PC BOARD.
- ⑤ PART NUMBER, DATE CODE IDENTIFICATION, CSA LOGO HOT-STAMPED THIS APPROXIMATE AREA.
- ⑥ CONTACT POINT.
- ⚠ HOT-STAMPING ON THIS SIDE.



SUPERSEDED BY 536016-5	③ 1 THRU 50	X	-	X	100	536016-5
	③ 1 THRU 50	X	-	X	100	536016-4
	POSITIONS LOADED	C	B	A	NO. OF LOADED POSITION	ASSY PART NUMBER

DO NOT SCALE PRINT. UNLESS SPECIFIED DIMENSIONS IN mm [INCHES] TOLERANCES ON:	DR L. BRINER 10/14/91	AMP INCORPORATED Harrisburg, Pa. 17105
1 PLC DEC ± -	CHK R. PATTERSON 10/23/92	
2 PLC DEC ± 0.13(.005)	APPD R. PATTERSON 10/23/92	RECEPTACLE ASSEMBLY, EUROCARD, TYPE "R" WITH BOARD-LOCKS
ANGLES ± -	APPD D.C. RUBENDALL 10/26/92	
MATERIAL HSG ①	PRODUCT SPEC -	NAME
CONT ②	APPLICATION SPEC -	SIZE D
FINISH CONT ③	WEIGHT -	CAGE CODE 00779
		DRAWING NO 536016
		SCALE 4:1
		SHEET 1 OF 1