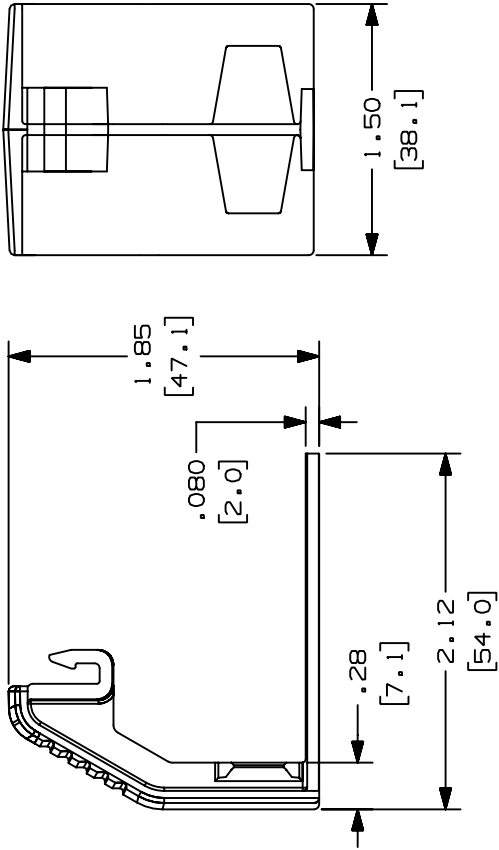
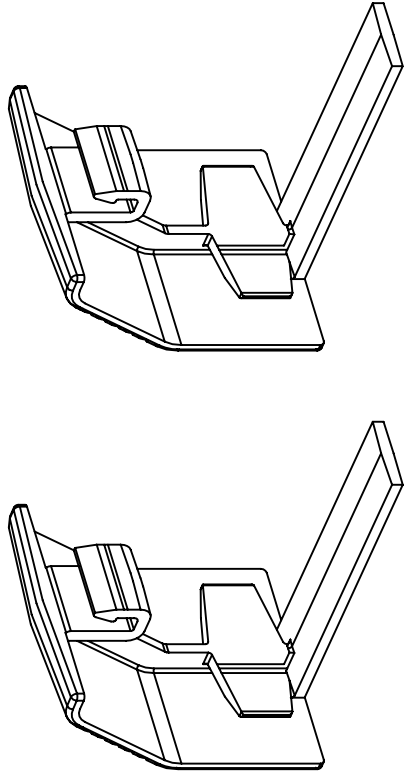


THIS COPY IS PROVIDED ON A RESTRICTED BASIS AND IS NOT TO BE USED IN ANY WAY DETRIMENTAL TO THE INTERESTS OF PANDUIT CORP.



PANDUIT P/N	WEIGHT
T70BC	1.95 LBS/10 PCS. (889g/10 PCS.)

- NOTES:
- SEE CURRENT CATALOG FOR ADDITIONAL PART SUFFIXES TO INDICATE COLOR AND OR PACKAGE QUANTITY.
  - THIS PRODUCT IS INTENDED TO BE USED WITH PANDUIT TYPE T-70 RACEWAY.
  - DIMENSIONS IN PARENTHESIS ARE IN METRIC.
  - T70BC CONSISTS OF (2) T70CB FITTINGS.



CAD FILENAME/LAYERS D35541BU\_T70CB\_C\_02.PRT

PANDUIT CORP. TINLEY PARK, ILLINOIS

T-70 BASE COUPLER (T70BC)  
CUSTOMER DRAWING

UNLESS OTHERWISE SPECIFIED, DIMENSIONAL TOLERANCES ARE: (.X) ± (.XX) ± ANGLES ±		UNLESS OTHERWISE SPECIFIED, ALL DIMENSIONS ARE GIVEN IN INCHES, THIRD ANGLE PROJECTION.	
DRAWN BY JBA		SCALE NONE	
DATE 09-10-96		DRAWING NO. 35541-22	
CHECKED BY CEF		MATERIAL: PVC	
ECN		SUP	

REV	DATE	BY	CHK	DESCRIPTION	ECN	CHK	CUST	SUP
-				D. RENUMBERED DRAWING NOTES C. 1.95 LB (889g) WAS 1.78 LB (809.1g)				
2	01-28-00	M50	H1W	B. PVC WAS ABS/POLYCARBONATE A. REVISED DRAWING TITLE, T-70 WAS T70	35541-22	H1W	CEP	
1	09-30-96	JBA	CEF	DRAWING REVISED AND REDRAWN	35541-22	CEF	CEF	
R	09-10-96	JBA	CEF	RELEASED TO PRODUCTION	35541-22	CEF		