

Industrial Connectors CA-COM

COM-7/0300

Cannon



ITT Industries
Engineered for life

Introduction

ITT Industries, Cannon connectors series CA-COM and CA-COM-B are derivations of connectors according to MIL-C-5015 or VG95234. They were developed especially for industrial applications. Connectors of both CA-COM series are interchangeable with the corresponding types as per MIL-C-5015 and VG95234, as they offer the same mounting dimensions and contact arrangements.

The CA-COM and CA-COM-B connector series offer

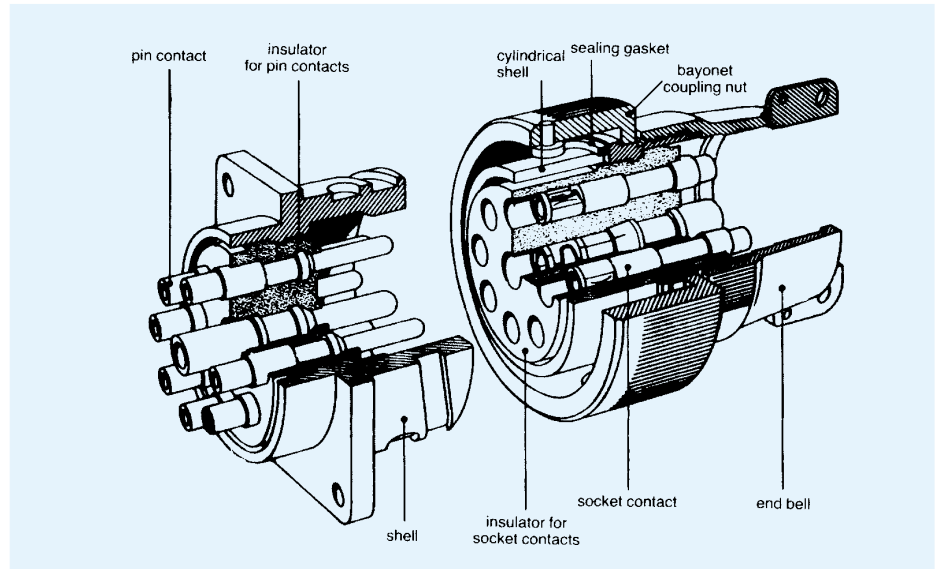
- Wall mounting receptacles
- Cable connecting plugs
- Box mounting receptacles
- Straight plugs
- Plugs 90°

Wall mounting receptacles and cable connecting plugs (straight and 90°) are available with

- Endbell with cable clamp
- Endbell for flex tubes
- Adapter combined for PG terminations acc. to DIN 46320
- Adapter for heat shrink boots

Furthermore Cannon also provides the appropriate accessories like

- Protective metal caps
- Sash chains
- Cable clamps
- Cable bushings
- Sealing gaskets



CA-COM

- Threaded coupling
- Mateable with all connectors according to MIL-C-5015 and series CA respectively
- Either solder or crimp contacts
- Contact arrangements with 1 to 37 contacts
- Wire sizes from 0,14 up to 2,5 mm²
- Shells made of aluminum alloy enable to withstand high mechanical strain*
- Surface protected by nickel plating
- Resilient insulator (polychloroprene) for wide temperature range (-55/125°C)
- Resistant against aggressive fluids like fuel, oil, etc.
- Environmental by means of an adapter for PG termination, universal endbell and heat shrink boots
- Min 500 mating cycles
- Spray-waterproof IP67

CA-COM-B

- Bayonet coupling
- Mateable with all connectors according to VG95234 and series CA-B respectively
- Either solder or crimp contacts
- Contact arrangements with 1 to 37 contacts
- Wire sizes from 0,14 to 2,5 mm²
- Shells made of aluminum alloy enable to withstand high mechanical strain*
- Surface protected by nickel plating
- Resilient insulator (polychloroprene) for wide temperature range (-55/125°C)
- Resistant against aggressive fluids like fuel, oil, etc.
- Environmental by means of an adapter for PG termination, universal endbell and heat shrink boots
- Min 500 mating cycles
- Waterproof (1 bar, 12 hours)

Contents

Introduction	2	Mounting dimensions	10
Connector design	2	Separating and coupling dimensions	11
Technical data	3	Shell styles and dimensions	12
How to order	4	Accessories	33
Contact arrangements.	5	Contact dimensions	37
		Tools	38
		Product safety information	40

Note: * Receptacle size 145 and barrels size 18 + 20 are made of Zinc diecast material.

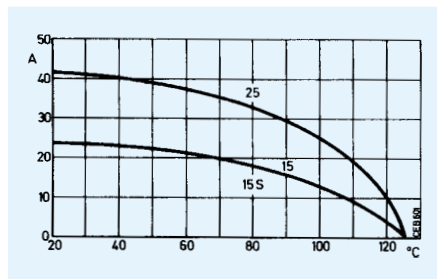
Electrical data

Rated current
20°C ambient temperature

Contact size AWG / metric	Rated current A max ¹⁾
15S	22
15	22
25	41
100	74

¹⁾ This applies only to the max. rated current for one contact. If several contacts in one contact arrangement are loaded with higher current the specific heat and the ambient temperature may not exceed +125°C.

Rated current vs. ambient temperature



Contact resistance (Millivolt test)

Contact size metric	Contact resistance mΩ max
15S	6
15	6
25	3
100	1

Insulation resistance > 1000 MΩ

Air and creepage paths mm (min)

Voltage class	Instr.	A	D
Air path mm	0,7	1,1	2,8
Creepage path mm	0,7	1,1	2,8

Operating Voltage and connector usage

When the connectors in this catalogue are used for voltages greater than 50 Volts and have touchable conductive shell parts they must be used in accordance with the safety regulations DIN VDE Part 410; IEC 60364-4-41. This regulation basically dictates that the power source should be turned off before any mating and unmating of the connector, this regulation does not provide for protection against electrical shock when mating and unmating the connectors in the live condition.

Mechanical data

Max operating temperature
acc. to DIN IEC 68, part 1 -55/125°C

Mating cycles min 500

Min separating force per contact

Contact size metric	Separating force N
15S	1,0
15	1,0
25	1,5
100	3,0

Contact retention

Test force to be applied in mating direction

Contact size metric	Test force N
15S	35
15	35
25	55
100	80

Coupling torque

The allowable coupling torque has to be tested under harnessed conditions

Shell size	Allowable coupling torque		
	Closing and opening (N max) CA-COM	Opening (N min) CA-COM-B	Opening (N min) CA-COM, CA-COM-B
10SL	3,0	2,6	0,15
12S	2,8	2,8	0,23
14S	5,9	3,0	0,35
16S/16	7,0	3,5	0,46
18	8,0	4,0	0,58
20	9,0	4,5	0,7
22	10,6	5,0	0,8
24	12,9	6,0	0,8
28	16,7	7,0	0,92
32	18,1	8,5	1,02
36	23,9	10,0	1,05

Materials

Shell	Aluminum alloy, Zinc diecast nickel plated
Contacts	Copper alloy, silver plated
Insulator	Polychloroprene

How to order

	CA	06	COM-E	18-1	P	W		xx
	CA	06	COM-E	18-1	P	W	- B -	xx
Series _____ CA - Cannon designation								
Shell style _____ 00 - Wall mount receptacle 01 - Cable connecting plug 02 - Box mount receptacle 20 - Box mount receptacle for rear wall mounting (Bayonett coupling only) 06 - Plug, straight 08 - Plug 90°								
Class _____ COM-E - Endbell with cable clamp ¹⁾ COM-F - Endbell for flex tube COM-PG - Adapter for PG termination, environmental COM-L - PCB Solder termination COM-IN - universal endbell								
Shell size _____ 10SL, 12S, 14S, 16, 16S, 18, 20, 22, 24, 28, 32*, 36* (* = upon request)								
Contact arrangement _____ see pages 6 – 8								
Contact type _____ P - Pin contact S - Socket contact								
Alternate insert position _____ Insert insulator position – see page 9								
Coupling _____ B - Bayonet coupling - without designation: threaded coupling								
Modification _____ 01 - metric crimp contacts 03 - Adapter for heat shrink boots and metric crimp contacts (only for bayonet coupling by shell style 01 + 06 class -E) 06 - Adapter for heat shrink boots and solder contacts (only for bayonet coupling by shell style 01 + 06 class -E) 44 - with end ring and grommet (for class E and F only) 48 - F-Endbell with O-ring DN - Adapter for heat shrink boots and solder contacts (Mod. for threaded coupling) F0 - without contacts (to be ordered separately)								

¹⁾ except shell style 02 / 20

Contact arrangements

On pages 6 – 8 the contact arrangements are shown by shell sizes. The table below gives an overview on the number of contacts, recommended contact and wire sizes and the service rating class. Other contact arrangements acc. to MIL-C-5015 and VG 95234 upon request.

Shell size	Contact arrangement	Number of contacts	Contact size metric	Wire size mm ²	Service rating nach IEC
10SL	10SL-3	3	15S	0,75 – 1,5	A
	10SL-4	2	15S	0,75 – 1,5	A
12S	12SA10	4	15S	0,75 – 1,5	A
14S	14S-2	4	15S	0,75 – 1,5	Inst.
	14S-5	5	15S	0,75 – 1,5	Inst.
	14S-6	6	15S	0,75 – 1,5	Inst.
	14SA7	7	15S	0,75 – 1,5	Inst.
16	16-10	3	25	2,0 – 3,0	A
16S	16S-1	7	15S	0,75 – 1,5	A
18	18-1	10	15	0,75 – 1,5	A (B, C, F, G) Inst. (all others)
	18-8	7 + 1	15 + 25	1 – 1,5 + 2,5	A
	18-10	4	25	2,0 – 3,0	A
	18-11	5	25	2,0 – 3,0	A
	18-12	6	15	0,75 – 1,5	A
	20	20-15	7	25	2,0 – 3,0
20-17		1	15	0,75 – 1,5	A
		5	25	2,0 – 3,0	A
20-19		3	100	10	A
20-27		14	15	0,75 – 1,5	A
20-29		17	15	0,75 – 1,5	A
22	22-14	19	15	0,75 – 1,5	A
	22-19	14	15	0,75 – 1,5	A
	22-23	8	25	2,0 – 3,0	D (H)
24	24-28	24	15	0,75 – 1,5	Inst.
28	28-15	35	15	0,75 – 1,5	A

Additional contact arrangements (per MIL-C-5015 and VG95234) upon request.

Wire selection

Contact size Metric	Wire sizes for crimp and solder contacts	
	Metric mm ²	Conductor Ø mm ²
15S	0,75 – 1,5	1,6 – 3,3
15	0,75 – 1,5	1,6 – 3,3
25	2,0 – 3,0	2,9 – 4,3
100	10,0	4,2 – 6,5

Stripping lengths of wires

Strip wires carefully. Do not damage conductors and insulation.

For solder connections, wires have to be pretinned. Do not twist conductors used in crimp contacts, otherwise no perfect crimp connection will be achieved. Do not touch conductors before crimping. Film of grease or lubricants on the strands will cause poor crimp quality.

Stripping length for contacts sizes 15S, 15 and 25 is 6,2 mm.

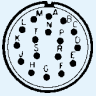
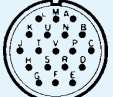
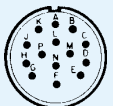
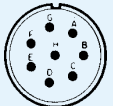
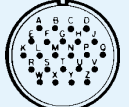
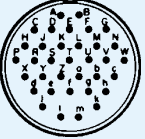
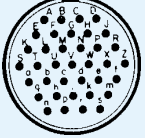
Contact Arrangements

	No. of contacts	Contact arrangement Contact size metric	Service rating	Insulator position				Insulator weight (g) including contacts	
				W	X	Y	Z	pin	socket
	3	10SL-3 15S	A	-	-	-	-	6	9
	2	10SL-4 15S	A	-	-	-	-	4	6
	4	12SA10 15S	A	-	-	-	-	6	8
	4	14S-2 15S	Inst.	-	120	240	-	7	11
	5	14S-5 15S	Inst.	-	110	-	-	9	13
	6	14S-6 15S	Inst.	-	-	-	-	11	15
	7	14SA7 15S	Inst.	-	-	-	-	10	15
	7	16S-1 15S	A	-	-	-	-	14	19
	3	16-10 25	A	90	180	270	-	17	24

Contact Arrangements

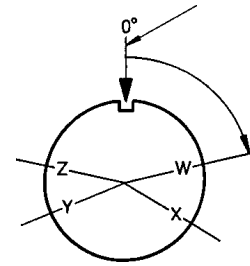
	No. of contacts	Contact arrangement Contact size metric	Service rating	Insulator position				Insulator weight (g) including contacts	
				W	X	Y	Z	pin	socket
	10	18-1 15	A (B, C, F, G)	70	145	-	290	24	37
	8 1 7	18-8 15 25	A	70	-	-	290	18	30
	4	18-10 25	A	-	120	240	-	13	22
	5	18-11 25	A	-	170	265	-	31	40
	6	18-12 15	A	80	-	-	280	15	25
	7	20-15 25	A	80	-	-	280	27	46
	6 1 5	20-17 15 25	A	90	180	270	-	20	33
	3	20-19 100	A	90	180	270	-	33	46
	14	20-27 15	A	35	110	250	325	26	42

Contact Arrangements

	No. of contacts	Contact arrangement Contact size metric	Service rating	Insulator positions			Insulator weight (g) including contacts		
				W	X	Y	Z	pin	socket
	17	20-29 15	A	80	-	-	280	29	47
	19	22-14 15	A	80	-	-	280	30	50
	14	22-19 15	A	80	110	250	280	28	47
	8	22-23 25	D(H) A (all others)	35	-	250	-	34	54
	24	24-28 15	Inst.	80	110	250	280	40	65
	35	28-15 15	A	80	110	250	280	54	90
	37	28-21 15	A	80	110	250	280	58	93

Alternate insert positions

Alternate insert positions are available to prevent cross-plugging of adjacent connectors. The standard position is without designation. All other insert positions are designated W, X, Y and Z. See table below.

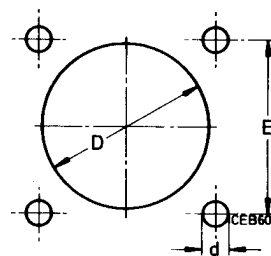


View on mating face of pin insert

Contact arrangement	W	X	Y	Z
10SL-3	-	-	-	-
10SL-4	-	-	-	-
12SA10	-	-	-	-
14S-2	-	120	240	-
14S-5	-	110	-	-
14S-6	-	-	-	-
14SA7	-	-	-	-
16S-1	-	-	-	-
16-10	90	180	270	-
18-1	70	145	-	290
18-8	70	-	-	290
18-10	-	120	240	-
18-11	-	170	265	-
18-12	80	-	-	280
20-15	80	-	-	280
20-17	90	180	270	-
20-19	90	180	270	-
20-27	35	110	250	325
20-29	80	-	-	280
22-14	80	-	-	280
22-19	80	110	250	280
22-23	35	-	250	-
24-28	80	110	250	280
28-15	80	110	250	280
28-21	80	110	250	280

Mounting dimensions

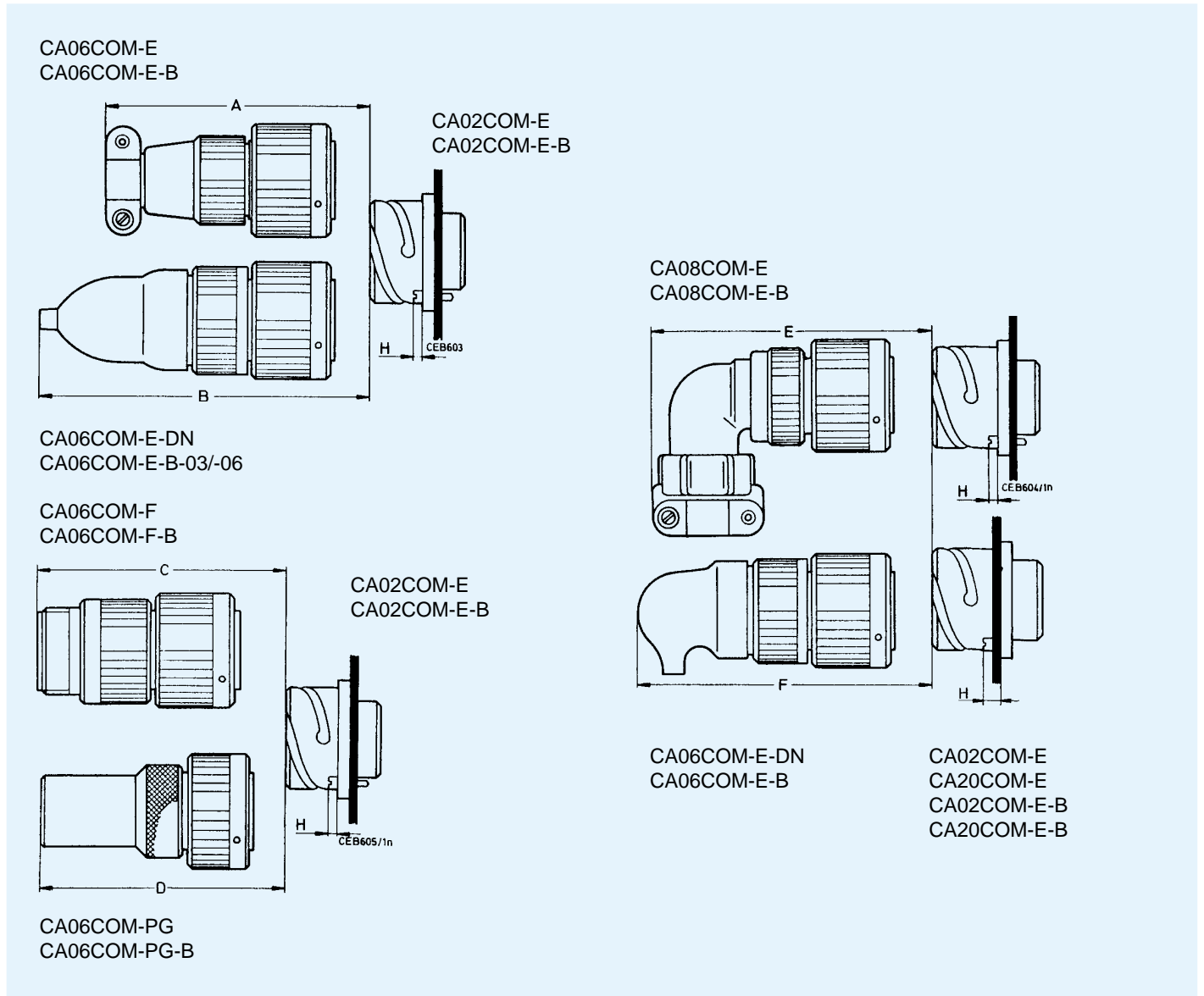
Mounting holes for connectors styles
CA00COM/CA00COM-B, CA02COM/
CA02COM-B and CA20COM-B



Shell size	CA-COM Threaded			E-0,15	CA-COM-Bayonet		d H ₁₃
	D H ₁₂ CA00... CA20...	CA02...	d H ₁₃		D H ₁₂ CA00... CA20...	CA02...	
10SL	16,0	16,4	3,4	18,2	18,5	16,4	3,4
12S	19,1	16,4	3,4	20,6	21,7	16,4	3,4
14S	22,3	19,7	3,4	23,0	24,9	19,7	3,4
16S/16	25,5	22,9	3,4	24,6	27,7	22,9	3,4
18	28,7	26,1	3,4	27,0	31,1	26,1	3,4
20	31,8	29,5	3,4	29,4	34,5	29,5	3,4
22	35,0	32,7	3,4	31,8	37,8	32,7	3,4
24	38,2	36,0	3,9	34,9	41,3	36,0	3,9
28	44,5	42,0	3,9	39,7	47,1	42,0	3,9
32	50,9	48,3	4,6	44,5	53,8	48,3	4,6
36	57,2	53,1	4,6	49,2	60,0	53,1	4,6

CA-COM

Separating and coupling dimensions



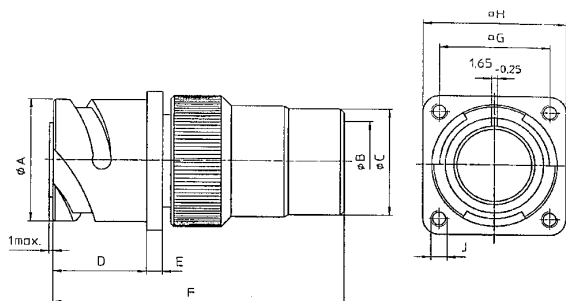
Shell size	A min	B min	C min	D min	E min	F min	H max
10SL	70	70	65	80	70	65	3,5
12S	70	75	65	80	75	70	3,5
14S	70	75	65	80	75	80	3,5
16S	70	90	65	80	65	80	3,5
16	80	100	70	100	90	100	3,5
18	80	100	70	110	95	110	3,5
20	80	100	70	110	95	110	3,5
22	80	100	70	110	95	110	3,5
24	110	120	90	120	105	120	5,0
28	110	120	90	120	105	120	5,0
32	110	180	90	120	115	120	6,0
36	110	190	100	130	120	130	6,0

Wall mounting receptacle, Class PG



CA00COM-PG-B with bayonet coupling

CA00COM-PG-B is a wall mounting receptacle for usage of PG terminations. It mates with plugs CA06COM-B and CA08COM-B.

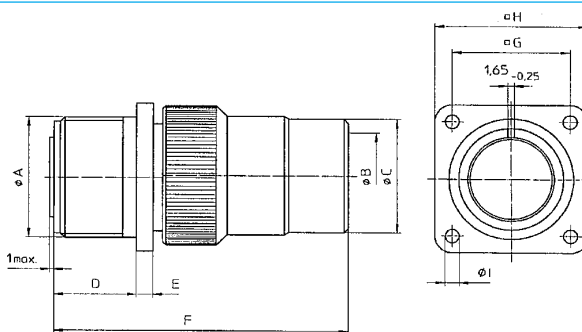


Part No.	A	B	C	D	E	F	G	H	J
Pin insert*	-0,15	Thread	max	+0,4	± 0,2	max	± 0,1	± 0,3	
CA00COM-PG10SL-**-P*-B-	18,2	PG9	18	18,2	2,8	56	18,2	25,4	M4
CA00COM-PG12S-**-P*-B-	21,4	PG9	18	18,2	3,2	56	20,6	28,0	M4
CA00COM-PG14S-**-P*-B-	24,6	PG11	22	18,2	3,2	56	23,0	30,0	M4
CA00COM-PG16S-**-P*-B-	27,4	PG13,5	24	18,2	3,2	58	24,6	32,5	M4
CA00COM-PG16-**-P*-B-	27,4	PG13,5	24	21,5	3,2	66	24,6	32,5	M4
CA00COM-PG18-**-P*-B-	30,8	PG13,5	25	23,05	4,0	73	27,0	35,0	M4
CA00COM-PG20-**-P*-B-	34,2	PG16	27	23,05	4,0	74	29,4	38,0	M4
CA00COM-PG22-**-P*-B-	37,4	PG16	27	23,05	4,0	77	31,8	41,0	M4
CA00COM-PG24-**-P*-B-	40,9	PG16	27	23,05	4,0	77	34,9	44,5	M4
CA00COM-PG28-**-P*-B-	46,7	PG21	32	24,05	4,0	78	39,7	50,8	M5
CA00COM-PG32-**-P*-B-	53,4	PG29	41	24,05	4,0	78	44,5	57,0	M5
CA00COM-PG36-**-P*-B-	59,6	PG29	41	24,05	4,0	89	49,2	63,5	M5



CA00COM-PG with threaded coupling

CA00COM-PG is a wall mounting receptacle for usage of PG terminations. It mates with plugs CA06COM and CA08COM.



Part No.	A	B	C	D	E	F	G	H	I
Pin insert*	Thread	Thread	max	+0,4	± 0,3	max	± 0,1	± 0,3	+0,2/-0,1
CA00COM-PG10SL-**-P*	5/8-24UNEF-2A	PG9	18	14,2	2,8	52	18,2	25,4	3,1
CA00COM-PG12S-**-P*	3/4-20UNEF-2A	PG9	19	14,2	3,2	52	20,6	28,0	3,1
CA00COM-PG14S-**-P*	7/8-20UNEF-2A	PG11	22	14,2	3,2	52	23,0	30,0	3,1
CA00COM-PG16S-**-P*	1-20UNEF-2A	PG13,5	24	14,2	3,2	54	24,6	32,5	3,1
CA00COM-PG16-**-P*	1-20UNEF-2A	PG13,5	24	19,0	3,2	64	24,6	32,5	3,1
CA00COM-PG18-**-P*	1-1/8-18UNEF-2A	PG13,5	25	19,0	4,0	69	27,0	35,0	3,1
CA00COM-PG20-**-P*	1-1/4-18UNEF-2A	PG16	27	19,0	4,0	70	29,4	38,0	3,1
CA00COM-PG22-**-P*	1-3/8-18UNEF-2A	PG16	27	19,0	4,0	73	31,8	41,0	3,1
CA00COM-PG24-**-P*	1-1/2-18UNEF-2A	PG16	27	20,6	4,0	74	34,9	44,5	3,7
CA00COM-PG28-**-P*	1-3/4-18UNS-2A	PG21	32	20,6	4,0	74	39,7	50,8	3,7
CA00COM-PG32-**-P*	2-18UNS-2A	PG29	41	22,2	4,0	76	44,5	57,0	4,4
CA00COM-PG36-**-P*	2-1/4-16UN-2A	PG29	41	22,2	4,0	87	49,2	63,5	4,4

* For socket inserts substitute "S" for "P"

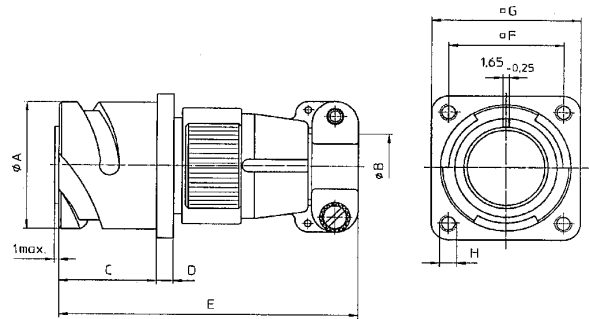
** Add contact arrangement number (see pages 6 – 8)

Wall mounting receptacle, Class E



CA00COM-E-B with bayonet coupling

CA00COM-E-B is a wall mounting receptacle with endbell and cable clamp. It mates with plugs CA06COM-B and CA08COM-B.

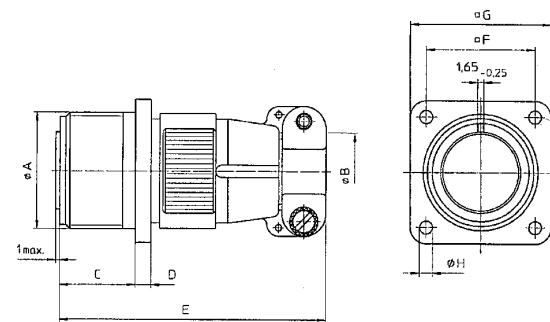


Part No.	A	B ¹⁾	C	D	E	F	G	H
Pin Insert*	-0,15	+0,4	+0,4	+0,2	max	± 0,1	± 0,3	
CA00COM-E10SL-**-P*-B-	18,2	7,9	18,2	2,8	57	18,2	25,4	M4
CA00COM-E12S-**-P*-B-	21,4	7,9	18,2	3,2	57	20,6	28,0	M4
CA00COM-E14S-**-P*-B-	24,6	11,1	18,2	3,2	59	23,0	30,0	M4
CA00COM-E16S-**-P*-B-	27,4	14,2	18,2	3,2	60	24,6	32,5	M4
CA00COM-E16-**-P*-B-	27,4	14,2	21,5	3,2	68	24,6	32,5	M4
CA00COM-E18-**-P*-B-	30,8	15,8	23,05	4,0	72	27,0	35,0	M4
CA00COM-E20-**-P*-B-	34,2	19,0	23,05	4,0	72	29,4	38,0	M4
CA00COM-E22-**-P*-B-	37,4	19,0	23,05	4,0	72	31,8	41,0	M4
CA00COM-E24-**-P*-B-	40,9	23,7	23,05	4,0	78	34,9	44,5	M4
CA00COM-E28-**-P*-B-	46,7	23,7	24,05	4,0	79	39,7	50,8	M5
CA00COM-E32-**-P*-B-	53,4	31,8	24,05	4,0	78	44,5	57,0	M5
CA00COM-E36-**-P*-B-	59,6	34,6	24,05	4,0	78	49,2	63,5	M5



CA00COM-E with threaded coupling

CA00COM-E is a wall mounting receptacle with endbell and cable clamp. It mates with plugs CA06COM and CA08COM.



Part No.	A	B ¹⁾	C	D	E	F	G	H
Pin Insert*	Thread	+0,4	± 0,3	max	± 0,1	± 0,3	+0,2 /-0,1	
CA00COM-E10SL-**-P*	5/8-24UNEF-2A	7,9	14,2	2,8	53	18,2	25,4	3,1
CA00COM-E12S-**-P*	3/4-20UNEF-2A	7,9	14,2	3,2	53	20,6	28,0	3,1
CA00COM-E14S-**-P*	7/8-20UNEF-2A	11,1	14,2	3,2	55	23,0	30,0	3,1
CA00COM-E16S-**-P*	1-20UNEF-2A	14,2	14,2	3,2	56	24,6	32,5	3,1
CA00COM-E16-**-P*	1-20UNEF-2A	14,2	19,0	3,2	66	24,6	32,5	3,1
CA00COM-E18-**-P*	1-1/8-18UNEF-2A	15,8	19,0	4,0	68	27,0	35,0	3,1
CA00COM-E20-**-P*	1-1/4-18UNEF-2A	19,0	19,0	4,0	68	29,4	38,0	3,1
CA00COM-E22-**-P*	1-3/8-18UNEF-2A	19,0	19,0	4,0	68	31,8	41,0	3,1
CA00COM-E24-**-P*	1-1/2-18UNEF-2A	23,7	20,6	4,0	76	34,9	44,5	3,7
CA00COM-E28-**-P*	1-3/4-18UNS-2A	23,7	20,6	4,0	76	39,7	50,8	3,7
CA00COM-E32-**-P*	2-18UNS-2A	31,8	22,2	4,0	76	44,5	57,0	4,4
CA00COM-E36-**-P*	2-1/4-16UN-2A	34,6	22,2	4,0	76	49,2	63,5	4,4

* For socket inserts substitute "S" for "P"

** Add contact arrangement number (see pages 6 – 8)

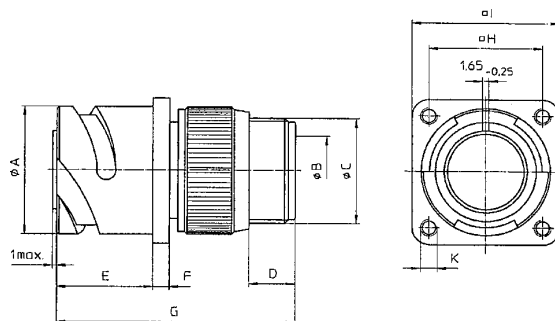
¹⁾ max cable dia

Wall mounting receptacle, Class F



CA00COM-F-B with bayonet coupling

CA00COM-F-B is a wall mounting receptacle with endbell for flex tubes. It mates with plugs CA06COM-B and CA08COM-B.

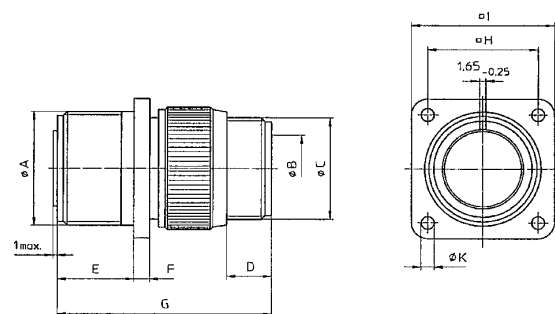


Part No.	A	B ¹⁾	C	D	E	F	G	H	I	K
Pin insert*	-0,15		Thread	min	+0,4	± 0,2	max	± 0,1	± 0,3	
CA00COM-F10SL-**-P*-B-	18,2	8,2	5/8-24UNEF-2A	9,5	18,2	2,8	50	18,2	25,4	M4
CA00COM-F12S-**-P*-B-	21,4	8,2	5/8-24UNEF-2A	9,5	18,2	3,2	50	20,6	28,0	M4
CA00COM-F14S-**-P*-B-	24,6	11,1	3/4-20UNEF-2A	9,5	18,2	3,2	50	23,0	30,0	M4
CA00COM-F16S-**-P*-B-	27,4	14,3	7/8-20UNEF-2A	9,5	18,2	3,2	50	24,6	32,5	M4
CA00COM-F16-**-P*-B-	27,4	14,3	7/8-20UNEF-2A	9,5	21,5	3,2	57	24,6	32,5	M4
CA00COM-F18-**-P*-B-	30,8	16,7	1-20UNEF-2A	9,5	23,05	4,0	59	27,0	35,0	M4
CA00COM-F20-**-P*-B-	34,2	19,8	1-3/16-18UNEF-2A	9,5	23,05	4,0	59	29,4	38,0	M4
CA00COM-F22-**-P*-B-	37,4	19,8	1-3/16-18UNEF-2A	9,5	23,05	4,0	62	31,8	41,0	M4
CA00COM-F24-**-P*-B-	40,9	25,4	1-7/16-18UNEF-2A	9,5	23,05	4,0	62	34,9	44,5	M4
CA00COM-F28-**-P*-B-	46,7	27,0	1-7/16-18UNEF-2A	9,5	24,05	4,0	64	39,7	50,8	M5
CA00COM-F32-**-P*-B-	53,4	32,5	1-3/4-18UNS-2A	11,0	24,05	4,0	64	44,5	57,0	M5
CA00COM-F36-**-P*-B-	59,6	35,7	2-18UNS-2A	11,8	24,05	4,0	66	49,2	63,5	M5



CA00COM-F with threaded coupling

CA00COM-F is a wall mounting receptacle with endbell for flex tubes. It mates with plugs CA06COM and CA08COM.



Part No.	A	B ¹⁾	C	D	E	F	G	H	I	K
Pin Insert*	Thread		Thread	min	+0,4	± 0,3	max	± 0,1	± 0,3	+0,2/-0,1
CA00COM-F10SL-**-P*	5/8-24UNEF-2A	8,2	5/8-24UNEF-2A	9,5	14,2	2,8	45	18,2	25,4	3,1
CA00COM-F12S-**-P*	3/4-20UNEF-2A	8,2	5/8-24UNEF-2A	9,5	14,2	3,2	45	20,6	28,0	3,1
CA00COM-F14S-**-P*	7/8-20UNEF-2A	11,1	3/4-20UNEF-2A	9,5	14,2	3,2	45	23,0	30,0	3,1
CA00COM-F16S-**-P*	1-20UNEF-2A	14,3	7/8-20UNEF-2A	9,5	14,2	3,2	45	24,6	32,5	3,1
CA00COM-F16-**-P*	1-20UNEF-2A	14,3	7/8-20UNEF-2A	9,5	19,0	3,2	54	24,6	32,5	3,1
CA00COM-F18-**-P*	1-1/8-18UNEF-2A	16,7	1-20UNEF-2A	9,5	19,0	4,0	54	27,0	35,0	3,1
CA00COM-F20-**-P*	1-1/4-18UNEF-2A	19,8	1-3/16-18UNEF-2A	9,5	19,0	4,0	55	29,4	38,0	3,1
CA00COM-F22-**-P*	1-3/8-18UNEF-2A	19,8	1-3/16-18UNEF-2A	9,5	19,0	4,0	58	31,8	41,0	3,1
CA00COM-F24-**-P*	1-1/2-18UNEF-2A	25,4	1-7/16-18UNEF-2A	9,5	20,6	4,0	59	34,9	44,5	3,7
CA00COM-F28-**-P*	1-3/4-18UNS-2A	27,0	1-7/16-18UNEF-2A	9,5	20,6	4,0	60	39,7	50,8	3,7
CA00COM-F32-**-P*	2-18UNS-2A	32,5	1-3/4-18UNS-2A	11,0	22,2	4,0	62	44,5	57,0	4,4
CA00COM-F36-**-P*	2-1/4-16UN-2A	35,7	2-18UNS-2A	11,8	22,2	4,0	64	49,2	63,5	4,4

* For socket inserts substitute "S" for "P"

** Add contact arrangement number (see pages 6 – 8)

¹⁾ max cable dia

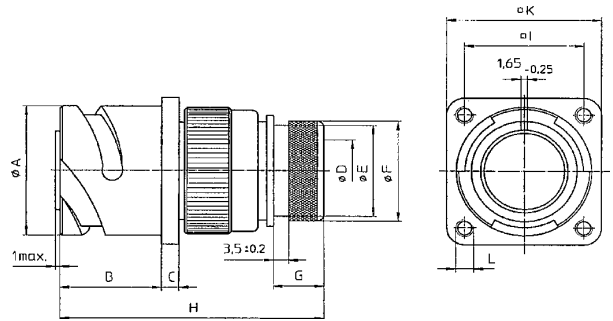
CA-COM

Wall mounting receptacle, Class E



CA00COM-E-B/-03/-06 with bayonet coupling

CA00COM-E-B/-03/-06 is a wall mounting receptacle (wire sealing) for heat shrink boots. It mates with plugs CA06COM-B and CA08COM-B.

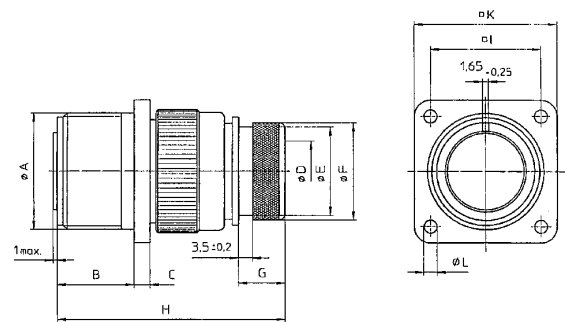


Part No.	A	B	C	D ¹⁾	E	F	G	H	I	K	L
Pin Insert*	-0,15	+0,4	± 0,3		max	± 0,2	± 0,5	max	± 0,1	± 0,3	
CA00COM-E10SL-**-P*-B-	18,2	18,2	2,8	7,7	13,3	15,5	11,7	53	18,2	25,4	M4
CA00COM-E12S-**-P*-B-	21,4	18,2	3,2	7,9	13,3	15,5	11,7	53	20,6	28,0	M4
CA00COM-E14S-**-P*-B-	24,6	18,2	3,2	10,6	17,0	19,1	11,7	53	23,0	30,0	M4
CA00COM-E16S-**-P*-B-	27,4	18,2	3,2	13,5	21,9	23,9	11,7	53	24,6	32,5	M4
CA00COM-E16-**-P*-B-	27,4	21,5	3,2	13,5	21,9	23,9	11,5	61	24,6	32,5	M4
CA00COM-E18-**-P*-B-	30,8	23,05	4,0	14,6	21,9	23,9	11,5	62	27,0	35,0	M4
CA00COM-E20-**-P*-B-	34,2	23,05	4,0	18,7	26,2	29,6	12,7	64	29,4	38,0	M4
CA00COM-E22-**-P*-B-	37,4	23,05	4,0	20,8	26,2	29,6	12,7	64	31,8	41,0	M4
CA00COM-E24-**-P*-B-	40,9	23,05	4,0	24,6	34,5	37,8	12,7	64	34,9	44,5	M4
CA00COM-E28-**-P*-B-	45,7	24,05	4,0	27,0	34,5	37,8	12,7	66	39,7	50,8	M5
CA00COM-E32-**-P*-B-	53,4	24,05	4,0	33,3	43,6	47,8	15,2	69	44,5	57,0	M5
CA00COM-E36-**-P*-B-	59,6	24,05	4,0	38,5	43,6	47,8	15,2	70	49,2	63,5	M5



CA00COM-E-DN with threaded coupling

CA00COM-E-DN is a wall mounting receptacle with endbell (wire sealing) for heat shrink boots. It mates with plugs CA06COM and CA08COM.



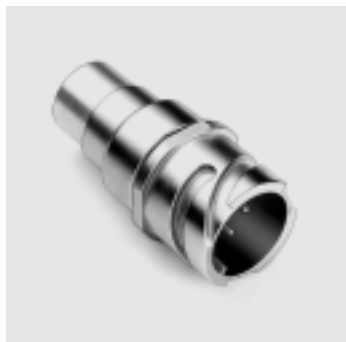
Part No.	A	B	C	D ¹⁾	E	F	G	H	I	K	L
Pin Insert*	Thread	+0,4	± 0,3		max	± 0,2	± 0,5	max	± 0,1	± 0,3	+0,2/-0,1
CA00COM-E10SL-**-P*-DN	5/8-24UNEF-2A	14,2	2,8	7,7	13,3	15,5	11,7	49	18,2	25,4	3,1
CA00COM-E12S-**-P*-DN	3/4-20UNEF-2A	14,2	3,2	7,9	13,3	15,5	11,7	49	20,6	28,0	3,1
CA00COM-E14S-**-P*-DN	7/8-20UNEF-2A	14,2	3,2	10,6	17,0	19,1	11,7	49	23,0	30,0	3,1
CA00COM-E16S-**-P*-DN	1-20UNEF-2A	14,2	3,2	13,5	21,9	23,9	11,7	49	24,6	32,5	3,1
CA00COM-E16-**-P*-DN	1-20UNEF-2A	19,0	3,2	13,5	21,9	23,9	11,5	58	24,6	32,5	3,1
CA00COM-E18-**-P*-DN	1-1/8-18UNEF-2A	19,0	4,0	14,6	21,9	23,9	11,5	58	27,0	35,0	3,1
CA00COM-E20-**-P*-DN	1-1/4-18UNEF-2A	19,0	4,0	14,6	26,2	23,9	12,7	60	27,0	35,0	3,1
CA00COM-E22-**-P*-DN	1-3/8-18UNEF-2A	19,0	4,0	20,8	26,2	29,6	12,7	60	31,8	41,0	3,1
CA00COM-E24-**-P*-DN	1-1/2-18UNEF-2A	20,6	4,0	24,6	34,5	37,8	12,7	63	34,9	44,5	3,7
CA00COM-E28-**-P*-DN	1-3/4-18UNS-2A	20,6	4,0	27,0	34,5	37,8	12,7	63	39,7	50,8	3,7
CA00COM-E32-**-P*-DN	2-18UNS-2A	22,2	4,0	33,3	43,6	47,8	15,2	67	44,5	57,0	4,4
CA00COM-E36-**-P*-DN	2-1/4-16UN-2A	22,2	4,0	38,5	43,6	47,8	15,2	68	49,2	63,5	4,4

* For socket inserts substitute "S" for "P"

** Add contact arrangement number (see pages 6 – 8)

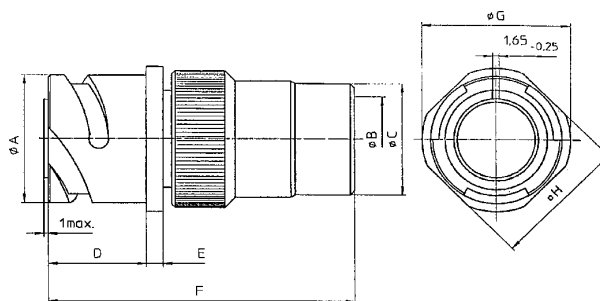
¹⁾ max cable dia

Cable connecting plug, Class PG



CA01COM-PG-B with bayonet coupling

CA01COM-PG-B is a cable connecting plug for usage of PG terminations. It mates with plugs CA06COM-B and CA08COM-B.

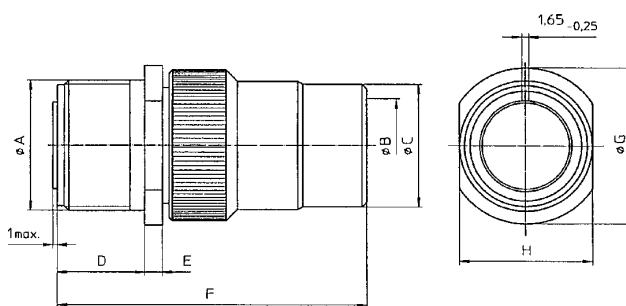


Part No.	A	B	C	D	E	F	G	H
Pin Insert*	-0,15	Thread	max	+0,4	± 0,2	max	max	± 0,2
CA01COM-PG10SL-**-P*-B	18,2	PG9	18	18,2	2,8	56	25,2	20,6
CA01COM-PG12S-**-P*-B	21,4	PG9	19	18,2	3,2	56	27,8	23,8
CA01COM-PG14S-**-P*-B	24,6	PG11	22	18,2	3,2	56	29,8	25,4
CA01COM-PG16S-**-P*-B	27,4	PG13,5	24	18,2	3,2	58	32,3	28,6
CA01COM-PG16-**-P*-B	27,4	PG13,5	24	18,2	3,2	66	32,3	28,6
CA01COM-PG18-**-P*-B	30,8	PG13,5	25	23,05	4,0	73	34,8	31,7
CA01COM-PG20-**-P*-B	34,2	PG16	27	23,05	4,0	74	37,8	34,9
CA01COM-PG22-**-P*-B	37,4	PG16	27	23,05	4,0	77	41,1	38,1
CA01COM-PG24-**-P*-B	40,9	PG16	27	23,05	4,0	77	44,6	41,3
CA01COM-PG28-**-P*-B	46,7	PG21	32	24,05	4,0	78	50,9	47,6
CA01COM-PG32-**-P*-B	53,4	PG29	41	24,05	4,0	78	57,1	54,0
CA01COM-PG36-**-P*-B	59,6	PG29	41	24,05	4,0	89	63,6	60,6



CA01COM-PG with threaded coupling

CA01COM-PG is a cable connecting plug for usage of PG terminations. It mates with plugs CA06COM and CA08COM.



Part No.	A	B	C	D	E	F	G	H
Pin Insert*	Thread	Thread	max	+0,4	± 0,3	max	max	max
CA01COM-PG10SL-**-P*	5/8-24UNEF-2A	PG9	18	14,2	2,8	52	21,8	16,2
CA01COM-PG12S-**-P*	3/4-20UNEF-2A	PG9	19	14,2	3,2	52	25,0	19,4
CA01COM-PG14S-**-P*	7/8-20UNEF-2A	PG11	22	14,2	3,2	52	28,2	22,5
CA01COM-PG16S-**-P*	1-20UNEF-2A	PG13,5	24	14,2	3,2	54	31,4	25,7
CA01COM-PG16-**-P*	1-20UNEF-2A	PG13,5	24	19,0	3,2	64	31,4	25,7
CA01COM-PG18-**-P*	1-1/8-18UNEF-2A	PG13,5	25	19,0	4,0	69	34,5	28,9
CA01COM-PG20-**-P*	1-1/4-18UNEF-2A	PG16	27	19,0	4,0	70	37,7	32,1
CA01COM-PG22-**-P*	1-3/8-18UNEF-2A	PG16	27	19,0	4,0	73	40,9	35,2
CA01COM-PG24-**-P*	1-1/2-18UNEF-2A	PG16	27	20,6	4,0	74	43,8	38,4
CA01COM-PG28-**-P*	1-3/4-18UNS-2A	PG21	32	20,6	4,0	74	50,4	44,8
CA01COM-PG32-**-P*	2-18UNS-2A	PG29	41	22,2	4,0	76	56,8	51,1
CA01COM-PG36-**-P*	2-1/4-16UN-2A	PG29	41	22,2	4,0	87	63,1	57,5

* For socket inserts substitute "S" for "P"

** Add contact arrangement number (see pages 6 – 8)

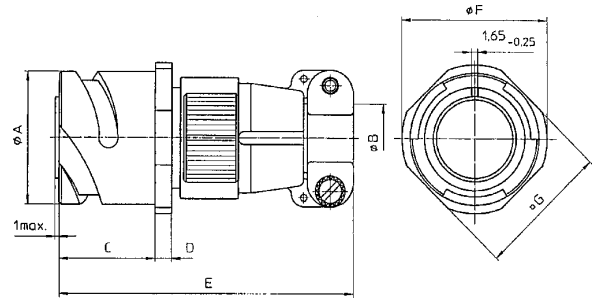
CA-COM

Cable connecting plug, Class E



CA01COM-E-B with bayonet coupling

CA01COM-E-B is a cable connecting plug with endbell and cable clamp. It mates with plugs CA06COM-B and CA08COM-B.

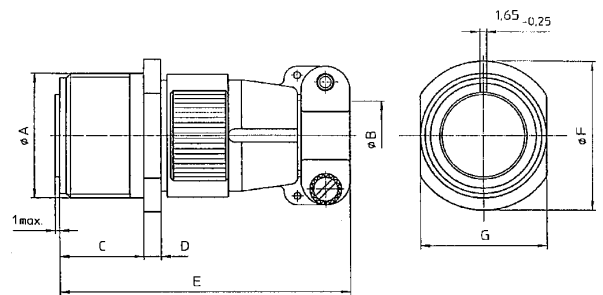


Part No.	A	B ¹⁾	C	D	E	F	G
Pin insert*	-0,15		+0,4	± 0,2	max	max	± 0,2
CA01COM-E10SL-**-P*-B	18,2	7,9	18,2	2,8	57	25,2	20,6
CA01COM-E12S**-P*-B	21,4	7,9	18,2	3,2	57	27,8	23,8
CA01COM-E14S**-P*-B	24,6	11,1	18,2	3,2	59	29,8	25,4
CA01COM-E16S**-P*-B	27,4	14,2	18,2	3,2	60	32,3	28,6
CA01COM-E16**-P*-B	27,4	14,2	21,5	3,2	68	32,3	28,6
CA01COM-E18**-P*-B	30,8	15,8	23,05	4,0	72	34,8	31,7
CA01COM-E20**-P*-B	34,2	19,0	23,05	4,0	72	37,8	34,9
CA01COM-E22**-P*-B	37,4	19,0	23,05	4,0	72	41,1	38,1
CA01COM-E24**-P*-B	40,9	23,7	23,05	4,0	78	44,6	41,3
CA01COM-E28**-P*-B	46,7	23,7	24,05	4,0	79	50,9	47,6
CA01COM-E32**-P*-B	53,4	31,8	24,05	4,0	78	57,1	54,0
CA01COM-E36**-P*-B	59,6	34,6	24,05	4,0	78	63,6	60,6



CA01COM-E with threaded coupling

CA01COM-E is a cable connecting plug with endbell and cable clamp. It mates with plugs CA06COM and CA08COM.



Part No.	A	B ¹⁾	C	D	E	F	G
Pin Insert*	Thread		+0,4	± 0,3	max	max	max
CA01COM-E10SL-**-P*	5/8-24UNEF-2A	7,9	14,2	2,8	53	21,8	16,2
CA01COM-E12S**-P*	3/4-20UNEF-2A	7,9	14,2	3,2	53	25,0	19,4
CA01COM-E14S**-P*	7/8-20UNEF-2A	11,1	14,2	3,2	55	28,2	22,5
CA01COM-E16S**-P*	1-20UNEF-2A	14,2	14,2	3,2	56	31,4	25,7
CA01COM-E16**-P*	1-20UNEF-2A	14,2	19,0	3,2	66	31,4	25,7
CA01COM-E18**-P*	1-1/8-18UNEF-2A	15,8	19,0	4,0	68	34,5	28,9
CA01COM-E20**-P*	1-1/4-18UNEF-2A	19,0	19,0	4,0	68	37,3	32,1
CA01COM-E22**-P*	1-3/8-18UNEF-2A	19,0	19,0	4,0	68	40,9	35,2
CA01COM-E24**-P*	1-1/2-18UNEF-2A	23,7	20,6	4,0	76	43,8	38,4
CA01COM-E28**-P*	1-3/4-18UNS-2A	23,7	20,6	4,0	76	50,4	44,8
CA01COM-E32**-P*	2-18UNS-2A	31,8	22,2	4,0	76	56,8	51,1
CA01COM-E36**-P*	2-1/4-16UN-2A	34,6	22,2	4,0	76	63,1	57,5

* For socket inserts substitute "S" for "P"

** Add contact arrangement number (see pages 6 – 8)

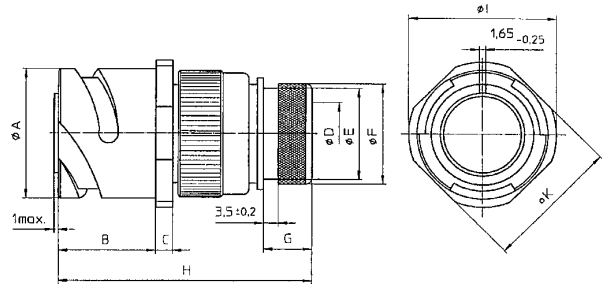
¹⁾ max cable dia

Cable connecting plug, Class E



CA01COM-E-B/-03/-06
with bayonet coupling

CA01COM-E-B/-03/-06 is a cable connecting plug with endbell (wire sealing) for heat shrink boots. It mates with plugs CA06COM-B and CA08COM-B.

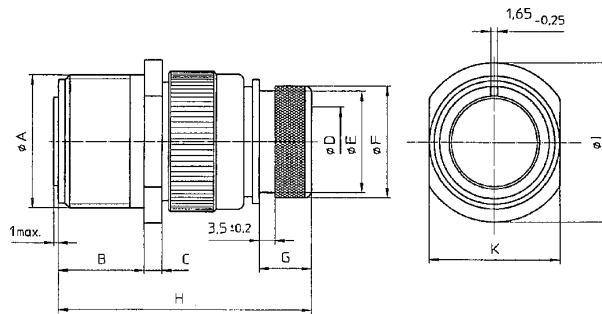


Part No.	A	B	C	D ¹⁾	E	F	G	H	I	K
Pin insert*	-0,15	+0,4	± 0,3		max	± 0,2	± 0,5	max	max	± 0,2
CA01COM-E10SL-**-P*-B-	18,2	18,2	2,8	7,7	13,3	15,5	11,7	53	25,2	20,6
CA01COM-E12S-**-P*-B-	21,4	18,2	3,2	7,9	13,3	15,5	11,7	53	27,8	23,8
CA01COM-E14S-**-P*-B-	24,6	18,2	3,2	10,6	17,0	19,1	11,7	53	29,8	25,4
CA01COM-E16S-**-P*-B-	27,4	18,2	3,2	13,5	21,9	23,9	11,7	53	32,3	28,6
CA01COM-E16-**-P*-B-	27,4	21,5	3,2	13,5	21,9	23,9	11,5	61	32,3	28,6
CA01COM-E18-**-P*-B-	30,8	23,05	4,0	14,6	21,9	23,9	11,5	62	34,8	31,7
CA01COM-E20-**-P*-B-	34,2	23,05	4,0	18,7	26,2	29,6	12,7	64	37,8	34,9
CA01COM-E22-**-P*-B-	37,4	23,05	4,0	20,8	26,2	29,6	12,7	64	41,1	38,1
CA01COM-E24-**-P*-B-	40,9	23,05	4,0	24,6	34,5	37,8	12,7	64	44,6	41,3
CA01COM-E28-**-P*-B-	46,7	24,05	4,0	27,0	34,5	37,8	12,7	66	50,9	47,6
CA01COM-E32-**-P*-B-	53,4	24,05	4,0	33,3	43,6	47,8	15,2	69	57,1	54,0
CA01COM-E36-**-P*-B-	59,6	24,05	4,0	38,5	43,6	47,8	15,2	70	63,6	60,6



CA01COM-E-DN
with threaded coupling

CA01COM-E-DN is a cable connecting plug with endbell (wire sealing) for heat shrink boots. It mates with plugs CA06COM and CA08COM.



Part No.	A	B	C	D ¹⁾	E	F	G	H	I	K
Pin insert*	Thread	± 0,3	± 0,3	max	± 0,2	± 0,5	max	max	max	± 0,2
CA01COM-E10SL-**-P*-DN	5/8-24UNEF-2A	14,2	2,8	7,7	13,3	15,5	11,7	49	21,8	16,2
CA01COM-E12S-**-P*-DN	3/4-20UNEF-2A	14,2	3,2	7,9	13,3	15,5	11,7	49	25,0	19,4
CA01COM-E14S-**-P*-DN	7/8-20UNEF-2A	14,2	3,2	10,6	17,0	19,1	11,7	49	28,2	22,5
CA01COM-E16S-**-P*-DN	1-20UNEF-2A	14,1	3,2	13,5	21,9	23,9	11,7	49	31,4	25,7
CA01COM-E16-**-P*-DN	1-20UNEF-2A	19,0	3,2	13,5	21,9	23,9	11,5	58	31,4	25,7
CA01COM-E18-**-P*-DN	1-1/8-18UNEF-2A	19,0	4,0	14,6	21,9	23,9	11,5	58	34,5	28,9
CA01COM-E20-**-P*-DN	1-1/4-18UNEF-2A	19,0	4,0	18,7	26,2	29,6	12,7	60	37,7	32,1
CA01COM-E22-**-P*-DN	1-3/8-18UNEF-2A	19,0	4,0	20,8	26,2	29,6	12,7	60	40,9	35,2
CA01COM-E24-**-P*-DN	1-1/2-18UNEF-2A	20,6	4,0	24,6	34,5	37,8	12,7	63	43,8	38,4
CA01COM-E28-**-P*-DN	1-3/4-18UNS-2A	20,6	4,0	27,0	34,5	37,8	12,7	63	50,4	44,8
CA01COM-E32-**-P*-DN	2-18UNS-2A	22,2	4,0	33,3	43,6	47,8	15,2	67	56,8	51,1
CA01COM-E36-**-P*-DN	2-1/4-16UN-2A	22,2	4,0	38,5	43,6	47,8	15,2	68	63,1	57,5

* For socket inserts substitute "S" for "P"

** Add contact arrangement number (see pages 6 – 8)

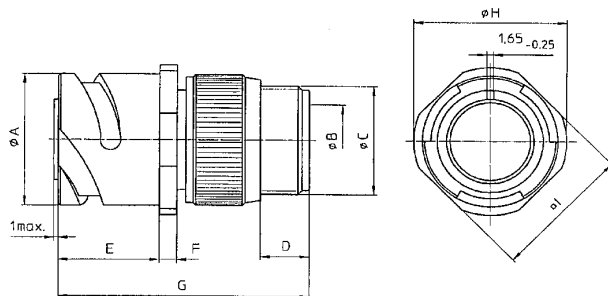
¹⁾ max cable dia

Cable connecting plug, Class F

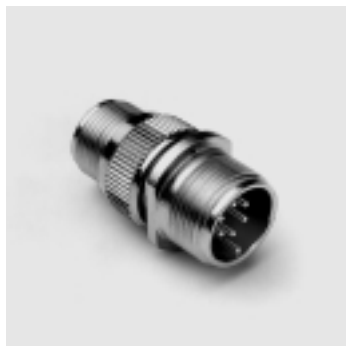


CA01COM-F-B with bayonet coupling

CA01COM-F-B is a cable connecting plug for flex tube. It mates with plugs CA06COM-B and CA08COM-B.

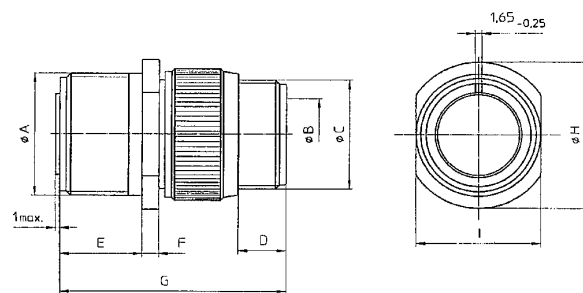


Part No.	A	B ¹⁾	C	D	E	F	G	H	I
Pin Insert*	-0,15		Thread	min	+0,4	± 0,2	max	max	± 0,2
CA01COM-F10SL-**-P*-B	18,2	8,2	5/8-24UNEF-2A	9,5	18,2	2,8	50	25,2	20,6
CA01COM-F12S-**-P*-B	18,2	8,2	5/8-24UNEF-2A	9,5	18,2	3,2	50	27,8	23,8
CA01COM-F14S-**-P*-B	24,6	11,1	3/4-20UNEF-2A	9,5	18,2	3,2	50	29,8	25,4
CA01COM-F16S-**-P*-B	27,4	14,3	7/8-20UNEF-2A	9,5	18,2	3,2	50	32,3	28,6
CA01COM-F16-**-P*-B	27,4	14,3	7/8-20UNEF-2A	9,5	21,5	3,2	57	32,3	28,6
CA01COM-F18-**-P*-B	30,8	16,7	1-20UNEF-2A	9,5	23,05	4,0	59	34,8	31,7
CA01COM-F20-**-P*-B	34,2	19,8	1-3/16-18UNEF-2A	9,5	32,05	4,0	59	37,8	34,9
CA01COM-F22-**-P*-B	37,4	19,8	1-3/16-18UNEF-2A	9,5	32,05	4,0	62	41,1	38,1
CA01COM-F24-**-P*-B	40,9	25,4	1-7/16-18UNEF	9,5	23,05	4,0	62	44,6	41,3
CA01COM-F28-**-P*-B	46,7	27,0	1-7/16-18UNEF	9,5	24,05	4,0	64	50,9	47,6
CA01COM-F32-**-P*-B	53,4	32,5	1-3/4-18UNS-2A	11,0	24,05	4,0	64	57,1	54,0
CA01COM-F36-**-P*-B	59,6	35,7	2-18UNS-2A	11,8	24,05	4,0	66	63,6	60,6



CA01COM-F with threaded coupling

CA01COM-F is a cable connecting plug for flex tube. It mates with plugs CA06COM and CA08COM.



Part No.	A	B ¹⁾	C	D	E	F	G	H	I
Pin Insert*	Thread		Thread	min	+0,4	± 0,3	max	max	max
CA01COM-F10SL-**-P*	5/8-24UNEF-2A	8,2	5/8-24UNEF-2A	9,5	14,2	2,8	45	21,8	16,2
CA01COM-F12S-**-P*	3/4-20UNEF-2A	8,2	5/8-24UNEF-2A	9,5	14,2	3,2	45	25,0	19,4
CA01COM-F14S-**-P*	7/8-20UNEF-2A	11,1	3/4-20UNEF-2A	9,5	14,2	3,2	45	28,2	22,5
CA01COM-F16S-**-P*	1-20UNEF-2A	14,3	7/8-20UNEF-2A	9,5	14,2	3,2	45	31,4	25,7
CA01COM-F16-**-P*	1-20UNEF-2A	14,3	7/8-20UNEF-2A	9,5	14,2	3,2	54	31,4	25,7
CA01COM-F18-**-P*	1-1/8-18UNEF-2A	16,7	1-20UNEF-2A	9,5	19,0	4,0	54	34,5	28,9
CA01COM-F20-**-P*	1-1/4-18UNEF-2A	19,8	1-3/16-18UNEF-2A	9,5	19,0	4,0	55	37,7	32,1
CA01COM-F22-**-P*	1-3/8-18UNEF-2A	19,8	1-3/16-18UNEF-2A	9,5	20,6	4,0	58	40,9	35,2
CA01COM-F24-**-P*	1-1/2-18UNEF-2A	25,4	1-7/16-18UNEF-2A	9,5	20,6	4,0	59	43,8	38,4
CA01COM-F28-**-P*	1-3/4-18UNS-2A	27,0	1-7/16-18UNEF-2A	9,5	20,6	4,0	60	50,4	44,8
CA01COM-F32-**-P*	2-18UNS-2A	32,5	1-3/4-18UNS-2A	11,0	22,2	4,0	62	56,8	51,1
CA01COM-F36-**-P*	2-1/4-16UN-2A	35,7	2-18UNS-2A	11,8	22,2	4,0	64	63,1	57,5

* For socket inserts substitute "S" for "P"

** Add contact arrangement number (see pages 6 – 8)

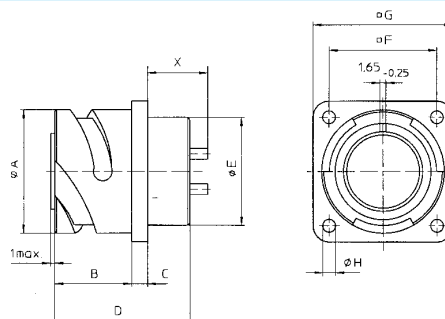
¹⁾ max cable dia

Box mounting receptacle, Class E



CA02COM-E-B with bayonet coupling

CA02COM-E-B is a box mounting receptacle for front panel mounting. It mates with plugs CA06COM-B and CA08COM-B.

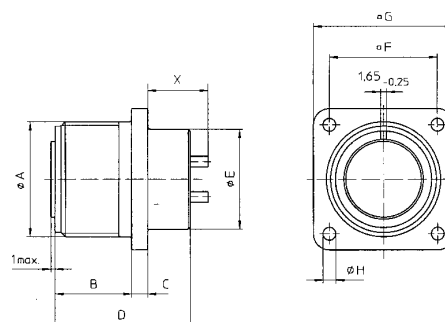


Part No.	A	B	C	D	E	F	G	H	X / Contact size		
Pin Insert*	-0,15	+0,4	± 0,2	± 0,3	max	± 0,1	± 0,3	H ₁₃	15	25	100
CA02COM-E10SL-**-P*-B	18,2	14,2	2,8	24,7	16,2	18,2	25,4	3,2	13,6	-	-
CA02COM-E12S-**-P*-B	21,4	14,2	3,2	24,7	16,2	20,6	28,0	3,2	13,2	-	-
CA02COM-E14S-**-P*-B	24,6	14,2	3,2	24,7	19,2	23,0	30,0	3,2	13,2	-	-
CA02COM-E16S-**-P*-B	27,4	14,2	3,2	24,7	22,4	24,6	32,5	3,2	13,2	-	-
CA02COM-E16-**-P*-B	27,4	19,0	3,2	33,8	22,4	24,6	32,5	3,2	17,9	17,9	19,5
CA02COM-E18-**-P*-B	30,8	19,0	4,0	33,8	25,6	27,0	35,0	3,2	17,1	17,1	18,7
CA02COM-E20-**-P*-B	34,2	19,0	4,0	33,8	29,0	29,4	38,0	3,2	17,1	17,1	18,7
CA02COM-E22-**-P*-B	37,4	19,0	4,0	33,8	32,2	31,8	41,0	3,2	17,1	17,1	18,7
CA02COM-E24-**-P*-B	40,9	20,6	4,0	33,8	35,3	34,9	44,5	3,7	15,5	15,5	17,1
CA02COM-E28-**-P*-B	46,7	20,6	4,0	33,8	41,4	39,7	50,8	3,7	15,5	15,5	17,1
CA02COM-E32-**-P*-B	53,4	22,2	4,0	33,8	47,8	44,5	57,0	4,3	13,9	15,5	15,5
CA02COM-E36-**-P*-B	59,6	22,2	4,0	33,8	52,6	49,2	63,5	4,3	13,9	15,5	15,5



CA02COM-E with threaded coupling

CA02COM-E is a box mounting receptacle for front panel mounting. It mates with plugs CA06COM and CA08COM.



Part No.	A	B	C	D	E	F	G	H	X / Contact size		
Pin Insert*	Thread	+0,4	± 0,3	max	max	± 0,1	± 0,3	+0,2	15	25	100
CA02COM-E10SL-**-P*	5/8-24UNEF-2A	14,2	2,8	25,1	15,9	18,2	25,4	3,1	13,6	-	-
CA02COM-E12S-**-P*	3/4-20UNEF-2A	14,2	3,2	25,1	15,9	20,6	28,0	3,1	13,2	-	-
CA02COM-E14S-**-P*	7/8-20UNEF-2A	14,2	3,2	25,1	19,0	23,0	30,0	3,1	13,2	-	-
CA02COM-E16S-**-P*	1-20UNEF-2A	14,2	3,2	25,1	22,2	24,6	32,5	3,1	13,2	-	-
CA02COM-E16-**-P*	1-20UNEF-2A	19,0	3,2	34,2	22,2	24,6	32,5	3,1	17,9	17,9	19,5
CA02COM-E18-**-P*	1-1/8-18UNEF-2A	19,0	4,0	34,2	25,4	27,0	35,0	3,1	17,1	17,1	18,7
CA02COM-E20-**-P*	1-1/4-18UNEF-2A	19,0	4,0	34,2	29,0	29,4	38,0	3,1	17,1	17,1	18,7
CA02COM-E22-**-P*	1-3/8-18UNEF-2A	19,0	4,0	34,2	32,2	31,8	41,0	3,1	17,1	17,1	18,7
CA02COM-E24-**-P*	1-1/2-18UNEF-2A	20,6	4,0	34,2	35,3	34,9	44,5	3,7	15,5	15,5	17,1
CA02COM-E28-**-P*	1-3/4-18UNEF-2A	20,6	4,0	34,2	41,2	39,7	50,8	3,7	15,5	15,5	17,1
CA02COM-E32-**-P*	2-18UNS-2A	22,2	4,0	34,2	47,6	44,5	57,0	4,4	13,9	13,9	15,5
CA02COM-E36-**-P*	2-1/4-16UN-2A	22,2	4,0	34,2	52,4	49,2	63,5	4,4	13,9	13,9	15,5

* For socket inserts substitute "S" for "P"

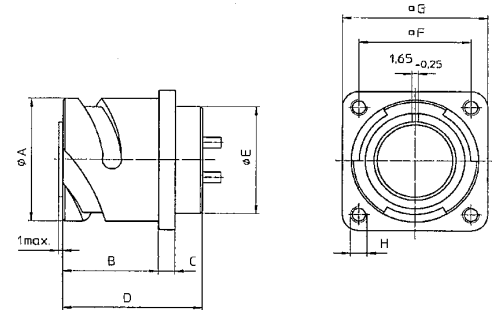
** Add contact arrangement number (see pages 6 – 8)

Box mounting receptacle, Class E

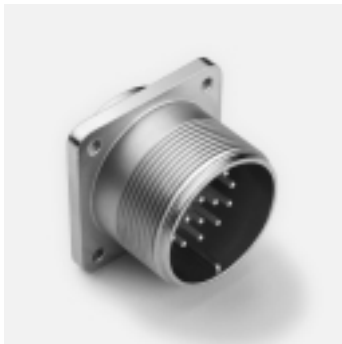


CA20COM-E-B with bayonet coupling

CA20COM-E-B is a box mounting receptacle for rear panel mounting. It mates with plugs CA06COM-B and CA08COM-B.

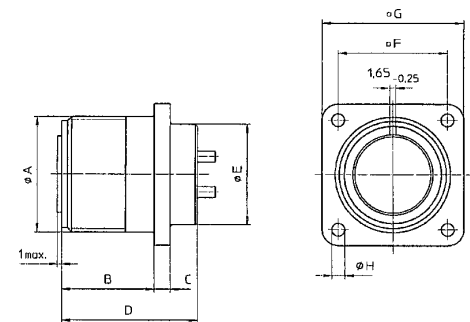


Part No.	A	B	C	D	E	F	G	H
Pin Insert*	-0,15	+0,4	$\pm 0,2$	$\pm 0,3$	max	$\pm 0,1$	$\pm 0,3$	
CA20COM-E10SL-**-P*-B	18,2	18,2	2,8	24,7	16,2	18,2	25,4	M4
CA20COM-E12S-**-P*-B	21,4	18,2	3,2	24,7	16,2	20,6	28,0	M4
CA20COM-E14S-**-P*-B	24,6	18,2	3,2	24,7	19,2	23,0	30,0	M4
CA20COM-E16S-**-P*-B	27,4	18,2	3,2	24,7	22,4	24,6	32,5	M4
CA20COM-E16-**-P*-B	27,4	21,5	3,2	33,8	22,4	24,6	32,5	M4
CA20COM-E18-**-P*-B	30,8	23,05	4,0	33,8	25,6	27,0	35,0	M4
CA20COM-E20-**-P*-B	34,2	23,05	4,0	33,8	29,0	29,4	38,0	M4
CA20COM-E22-**-P*-B	37,4	23,05	4,0	33,8	32,2	31,8	41,0	M4
CA20COM-E24-**-P*-B	40,9	23,05	4,0	33,8	35,3	34,9	44,5	M4
CA20COM-E28-**-P*-B	46,7	24,05	4,0	33,8	41,4	39,7	50,8	M5
CA20COM-E32-**-P*-B	53,4	24,05	4,0	33,8	47,8	44,5	57,0	M5
CA20COM-E36-**-P*-B	59,6	24,05	4,0	33,8	54,1	49,2	63,5	M5



CA20COM-E with threaded coupling

CA20COM-E is a box mounting receptacle for rear panel mounting. It mates with plugs CA06COM and CA08COM.



Part No.	A	B	C	D	E	F	G	H
Pin insert*	Thread	+0,4	$\pm 0,3$	max	max	$\pm 0,1$	$\pm 0,3$	H ₁₃ Std
CA20COM-E10SL-**-P*	5/8-24UNEF-2A	18,2	2,8	25,1	14,5	18,2	25,4	3,2
CA20COM-E12S-**-P*	3/4-20UNEF-2A	18,2	3,2	25,1	16,1	20,6	28,0	3,2
CA20COM-E14S-**-P*	7/8-20UNEF-2A	18,2	3,2	25,1	19,2	23,0	30,0	3,2
CA20COM-E16S-**-P*	1-20UNEF-2A	18,2	3,2	25,1	22,4	24,6	32,5	3,2
CA20COM-E16-**-P*	1-20UNEF-2A	21,5	3,2	34,2	22,4	24,6	32,5	3,2
CA20COM-E18-**-P*	1-1/8-18UNEF-2A	23,05	4,0	34,2	25,6	27,0	35,0	3,2
CA20COM-E20-**-P*	1-1/4-18UNEF-2A	23,05	4,0	34,2	29,0	29,4	38,0	3,2
CA20COM-E22-**-P*	1-3/8-18UNEF-2A	23,05	4,0	34,2	32,2	31,8	41,0	3,2
CA20COM-E24-**-P*	1-1/2-18UNEF-2A	24,05	4,0	34,2	35,3	34,9	44,5	3,7
CA20COM-E28-**-P*	1-3/4-18UNEF-2A	24,05	4,0	34,2	41,4	39,7	50,8	3,7
CA20COM-E32-**-P*	2-18UNS-2A	24,05	4,0	34,2	47,8	44,5	57,0	4,4
CA20COM-E36-**-P*	2-1/4-16UN-2A	24,05	4,0	34,2	54,1	49,2	63,5	4,4

* For socket inserts substitute "S" for "P"

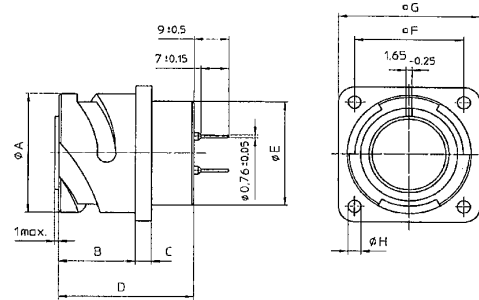
** Add contact arrangement number (see pages 6 – 8)

Box mounting receptacle, Class L, with pcb termination



CA02COM-L-B
with bayonet coupling

CA02COM-L-B is a box mounting receptacle for front panel mounting. It mates with plugs CA06COM-B and CA08COM-B.

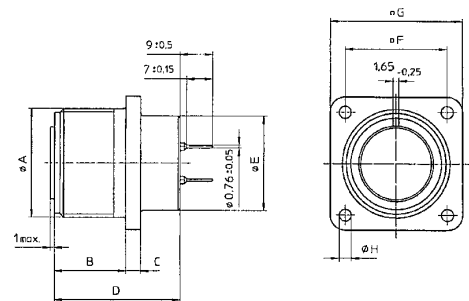


Part No.	A	B	C	D	E	F	G	H
Pin Insert*	-0,15	+0,4	± 0,2	± 0,3	max	± 0,1	± 0,3	H ₁₃
CA02COM-L10SL**-P*-B	18,2	14,2	2,8	24,7	16,2	18,2	25,4	3,2
CA02COM-L12S**-P*-B	21,4	14,2	3,2	24,7	16,2	20,6	28,0	3,2
CA02COM-L14S**-P*-B	24,6	14,2	3,2	24,7	19,2	23,0	30,0	3,2
CA02COM-L16S**-P*-B	27,4	14,2	3,2	24,7	22,4	24,6	32,5	3,2
CA02COM-L16**-P*-B	27,4	19,0	3,2	33,8	22,4	24,6	32,5	3,2
CA02COM-L18**-P*-B	30,8	19,0	4,0	33,8	25,6	27,0	35,0	3,2
CA02COM-L20**-P*-B	34,2	19,0	4,0	33,8	29,0	29,4	38,0	3,2
CA02COM-L22**-P*-B	37,4	19,0	4,0	33,8	32,2	31,8	41,0	3,2
CA02COM-L24**-P*-B	40,9	20,6	4,0	33,8	35,3	34,9	44,5	3,7
CA02COM-L28**-P*-B	46,7	20,6	4,0	33,8	41,4	39,7	50,8	3,7
CA02COM-L32**-P*-B	53,4	22,2	4,0	33,8	47,8	44,5	57,0	4,3
CA02COM-L36**-P*-B	59,6	22,2	4,0	33,8	52,6	49,2	63,5	4,3



CA02COM-L
with threaded coupling

CA02COM-L is a box mounting receptacle for front panel mounting. It mates with plugs CA06COM and CA08COM.



Part No.	A	B	C	D	E	F	G	H
Pin Insert*	Thread	+0,4	± 0,3	max	max	± 0,1	± 0,3	+0,2/-0,1
CA02COM-L10SL**-P*	5/8-24UNEF-2A	14,2	2,8	25,1	15,9	18,2	25,4	3,1
CA02COM-L12S**-P*	3/4-20UNEF-2A	14,2	3,2	25,1	15,9	20,6	28,0	3,1
CA02COM-L14S**-P*	7/8-20UNEF-2A	14,2	3,2	25,1	19,0	23,0	30,0	3,1
CA02COM-L16S**-P*	1-20UNEF-2A	14,2	3,2	25,1	22,2	24,6	32,5	3,1
CA02COM-L16**-P*	1-20UNEF-2A	19,0	3,2	34,2	22,2	24,6	32,5	3,1
CA02COM-L18**-P*	1-1/8-18UNEF-2A	19,0	4,0	34,2	25,4	27,0	35,0	3,1
CA02COM-L20**-P*	1-1/4-18UNEF-2A	19,0	4,0	34,2	29,0	29,4	38,0	3,1
CA02COM-L22**-P*	1-3/8-18UNEF-2A	19,0	4,0	34,2	32,2	31,8	41,0	3,1
CA02COM-L24**-P*	1-1/2-18UNEF-2A	20,6	4,0	34,2	35,3	34,9	44,5	3,7
CA02COM-L28**-P*	1-3/4-18UNEF-2A	20,6	4,0	34,2	41,2	39,7	50,8	3,7
CA02COM-L32**-P*	2-18UNS-2A	22,2	4,0	34,2	47,6	44,5	57,0	4,4
CA02COM-L36**-P*	2-1/4-16UN-2A	22,2	4,0	34,2	52,4	49,2	63,5	4,4

* For socket inserts substitute "S" for "P"

** Add contact arrangement number (see pages 6 – 8)

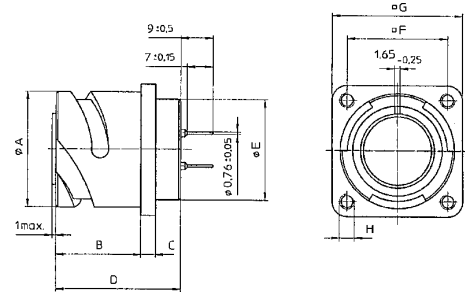
CA-COM

Box mounting receptacle, Class L, with pcb termination

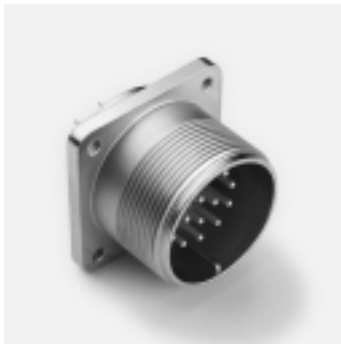


CA20COM-L-B with bayonet coupling

CA20COM-L-B is a box mounting receptacle for rear panel mounting. It mates with plugs CA06COM-B and CA08COM-B.

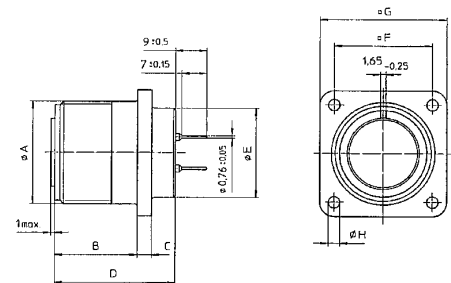


Part No.	A	B	C	D	E	F	G	H
Pin Insert*	-0,15	+0,4	± 0,2	± 0,3	max	± 0,1	± 0,3	
CA20COM-L10SL-**-P*-B	18,2	18,2	2,8	24,7	16,2	18,2	25,4	M4
CA20COM-L12S-**-P*-B	21,4	18,2	3,2	24,7	16,2	20,6	28,0	M4
CA20COM-L14S-**-P*-B	24,6	18,2	3,2	24,7	19,2	23,0	30,0	M4
CA20COM-L16S-**-P*-B	27,4	18,2	3,2	24,7	22,4	24,6	32,5	M4
CA20COM-L16-**-P*-B	27,4	21,5	3,2	33,8	22,4	24,6	32,5	M4
CA20COM-L18-**-P*-B	30,8	23,05	4,0	33,8	25,6	27,0	35,0	M4
CA20COM-L20-**-P*-B	34,2	23,05	4,0	33,8	29,0	29,4	38,0	M4
CA20COM-L22-**-P*-B	37,4	23,05	4,0	33,8	32,2	31,8	41,0	M4
CA20COM-L24-**-P*-B	40,9	23,05	4,0	33,8	35,3	34,9	44,5	M4
CA20COM-L28-**-P*-B	46,7	24,05	4,0	33,8	41,4	39,7	50,8	M5
CA20COM-L32-**-P*-B	53,4	24,05	4,0	33,8	47,8	44,5	57,0	M5
CA20COM-L36-**-P*-B	59,6	24,05	4,0	33,8	54,1	49,2	63,5	M5



CA20COM-L with threaded coupling

CA20COM-L is a box mounting receptacle for rear panel mounting. It mates with plugs CA06COM and CA08COM.



Part No.	A	B	C	D	E	F	G	H
Pin insert*	Thread	+0,4	± 0,3	max	max	± 0,1	± 0,3	H ₁₃ Std
CA20COM-L10SL-**-P*	5/8-24UNEF-2A	18,2	2,8	25,1	14,5	18,2	25,4	3,2
CA20COM-L12S-**-P*	3/4-20UNEF-2A	18,2	3,2	25,1	16,1	20,6	28,0	3,2
CA20COM-L14S-**-P*	7/8-20UNEF-2A	18,2	3,2	25,1	19,2	23,0	30,0	3,2
CA20COM-L16S-**-P*	1-20UNEF-2A	18,2	3,2	25,1	22,4	24,6	32,5	3,2
CA20COM-L16-**-P*	1-20UNEF-2A	21,5	3,2	34,2	22,4	24,6	32,5	3,2
CA20COM-L18-**-P*	1-1/8-18UNEF-2A	23,05	4,0	34,2	25,6	27,0	35,0	3,2
CA20COM-L20-**-P*	1-1/4-18UNEF-2A	23,05	4,0	34,2	29,0	29,4	38,0	3,2
CA20COM-L22-**-P*	1-3/8-18UNEF-2A	23,05	4,0	34,2	32,2	31,8	41,0	3,2
CA20COM-L24-**-P*	1-1/2-18UNEF-2A	24,05	4,0	34,2	35,3	34,9	44,5	3,7
CA20COM-L28-**-P*	1-3/4-18UNEF-2A	24,05	4,0	34,2	41,4	39,7	50,8	3,7
CA20COM-L32-**-P*	2-18UNS-2A	24,05	4,0	34,2	47,8	44,5	57,0	4,4
CA20COM-L36-**-P*	2-1/4-16UN-2A	24,05	4,0	34,2	54,1	49,2	63,5	4,4

* For socket inserts substitute "S" for "P"

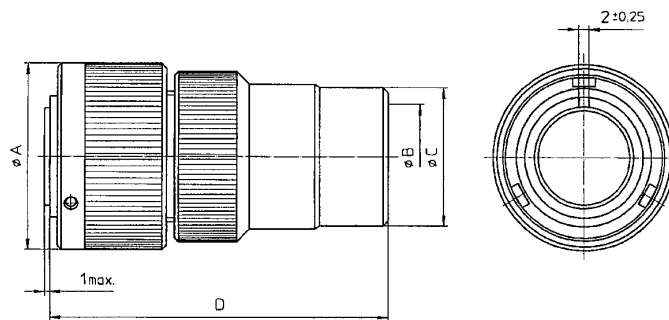
** Add contact arrangement number (see pages 6 – 8)

Straight plug, Class PG



CA06COM-PG-B with bayonet coupling

CA06COM-PG-B is a straight plug for usage of PG terminations. It mates with receptacles CA00COM-B, CA01COM-B and CA02COM-E-B.

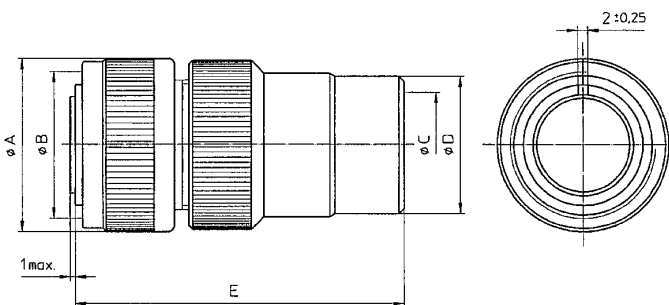


Part No.	A	B	C	D
Pin Insert*	max	Thread	max	max
CA06COM-PG10SL-**-P*-B	22,8	PG9	18	52
CA06COM-PG12S-**-P*-B	26,0	PG9	19	52
CA06COM-PG14S-**-P*-B	29,2	PG11	22	52
CA06COM-PG16S-**-P*-B	32,0	PG13,5	24	54
CA06COM-PG16-**-P*-B	32,0	PG13,5	24	64
CA06COM-PG18-**-P*-B	36,5	PG13,5	25	69
CA06COM-PG20-**-P*-B	39,9	PG16	27	70
CA06COM-PG22-**-P*-B	43,1	PG16	27	73
CA06COM-PG24-**-P*-B	46,6	PG16	27	74
CA06COM-PG28-**-P*-B	53,4	PG21	32	74
CA06COM-PG32-**-P*-B	60,1	PG29	41	76
CA06COM-PG36-**-P*-B	66,3	PG29	41	87



CA06COM-PG with threaded coupling

CA06COM-PG is a straight plug for usage of PG terminations. It mates with receptacles CA00COM, CA01COM and CA02COM-E.



Part No.	A	B	C	D	E
Pin Insert*	max	Thread	Thread	max	max
CA06COM-PG10SL-**-P*	24,1	5/8-24UNEF-2B	PG9	18	52
CA06COM-PG12S-**-P*	25,8	3/4-20UNEF-2B	PG9	19	52
CA06COM-PG14S-**-P*	28,8	7/8-20UNEF-2B	PG11	22	52
CA06COM-PG16S-**-P*	31,8	1-20UNEF-2B	PG13,5	24	54
CA06COM-PG16-**-P*	31,8	1-20UNEF-2B	PG13,5	24	64
CA06COM-PG18-**-P*	34,1	1-1/8-18UNEF-2B	PG13,5	25	69
CA06COM-PG20-**-P*	37,4	1-1/4-18UNEF-2B	PG16	27	70
CA06COM-PG22-**-P*	40,5	1-3/8-18UNEF-2B	PG16	27	73
CA06COM-PG24-**-P*	43,8	1-1/2-18UNEF-2B	PG16	27	74
CA06COM-PG28-**-P*	50,2	1-3/4-18UNS-2B	PG21	32	74
CA06COM-PG32-**-P*	56,4	2-18UNS-2B	PG29	41	76
CA06COM-PG36-**-P*	62,8	2-1/4-16UN-2B	PG29	41	87

* For socket inserts substitute "S" for "P"

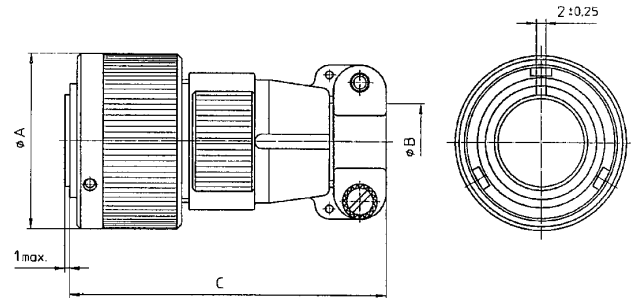
** Add contact arrangement number (see pages 6 – 8)

Straight plug, Class E



CA06COM-E-B with bayonet coupling

CA06COM-E-B is a straight plug with endbell and cable clamp. It mates with receptacles CA00COM-B, CA01COM-B and CA02COM-E-B.

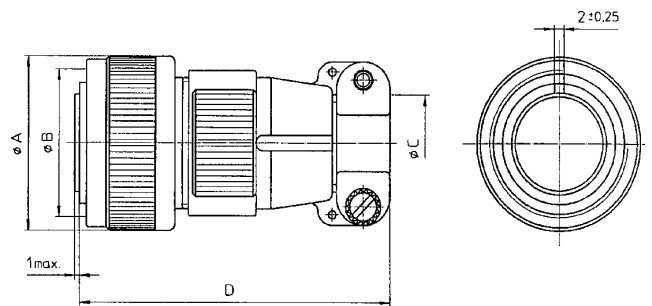


Part No.	A	B ¹⁾	C
Pin Insert*	max		max
CA06COM-E10SL-**-P*-B	22,8	7,9	53
CA06COM-E12S-**-P*-B	26,0	7,9	53
CA06COM-E14S-**-P*-B	29,2	11,1	55
CA06COM-E16S-**-P*-B	32,0	14,2	56
CA06COM-E16-**-P*-B	32,0	14,2	66
CA06COM-E18-**-P*-B	36,5	15,8	68
CA06COM-E20-**-P*-B	39,9	19,0	68
CA06COM-E22-**-P*-B	43,1	19,0	68
CA06COM-E24-**-P*-B	46,6	23,7	76
CA06COM-E28-**-P*-B	53,4	23,7	76
CA06COM-E32-**-P*-B	60,1	31,8	76
CA06COM-E36-**-P*-B	66,3	34,6	76



CA06COM-E with threaded coupling

CA06COM-E is a straight plug with endbell and cable clamp. It mates with receptacles CA00COM, CA01COM and CA02COM-E.



Part No.	A	B	C ¹⁾	D
Pin insert*	max	Thread		max
CA06COM-E10SL-**-P*	24,1	5/8-24UNEF-2B	7,9	53
CA06COM-E12S-**-P*	25,8	3/4-20UNEF-2B	7,9	53
CA06COM-E14S-**-P*	28,8	7/8-20UNEF-2B	11,1	55
CA06COM-E16S-**-P*	31,8	1-20UNEF-2B	14,2	56
CA06COM-E16-**-P*	31,8	1-20UNEF-2B	14,2	66
CA06COM-E18-**-P*	34,1	1-1/8-18UNEF-2B	15,8	68
CA06COM-E20-**-P*	37,4	1-1/4-18UNEF-2B	19,0	68
CA06COM-E22-**-P*	40,5	1-3/8-18UNEF-2B	19,0	68
CA06COM-E24-**-P*	43,8	1-1/2-18UNEF-2B	23,7	76
CA06COM-E28-**-P*	50,2	1-3/4-18UNEF-2B	23,7	76
CA06COM-E32-**-P*	56,4	2-18UNEF-2B	31,8	76
CA06COM-E36-**-P*	62,8	2-1/4-16UN-2B	34,6	76

* For socket inserts substitute "S" for "P"

** Add contact arrangement number (see pages 6 – 8)

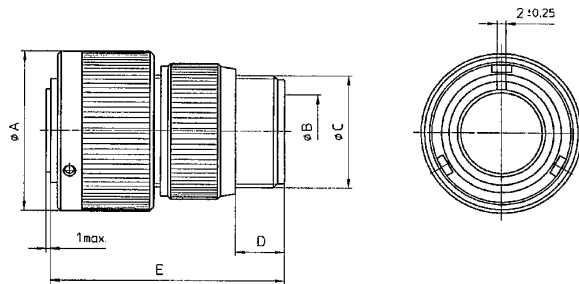
¹⁾ max cable dia

Straight plug, Class F



CA06COM-F-B
with bayonet coupling

CA06COM-F-B is a straight plug with endbell for flex tubes. It mates with receptacles CA00COM-B, CA01COM-B and CA02COM-E-B.

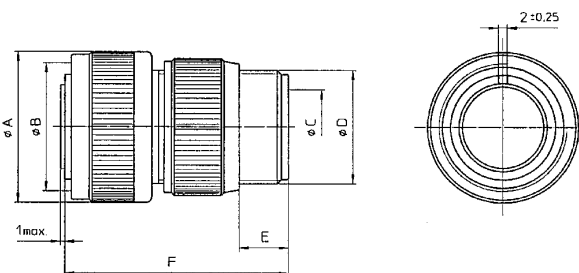


Part No.	A	B ¹⁾	C	D	E
Pin Insert*	max		Thread	min	max
CA06COM-F10SL**-P*-B	22,8	8,2	5/8-24UNEF-2A	9,5	45
CA06COM-F12S**-P*-B	26,0	8,2	5/8-24UNEF-2A	9,5	45
CA06COM-F14S**-P*-B	29,2	11,1	3/4-20UNEF-2A	9,5	45
CA06COM-F16S**-P*-B	32,0	14,3	7/8-20UNEF-2A	9,5	45
CA06COM-F16**-P*-B	32,0	14,3	7/8-20UNEF-2A	9,5	54
CA06COM-F18**-P*-B	36,5	16,7	1-20UNEF-2A	9,5	54
CA06COM-F20**-P*-B	39,9	19,8	1-3/16-18UNEF-2A	9,5	55
CA06COM-F22**-P*-B	43,1	19,8	1-3/16-18UNEF-2A	9,5	58
CA06COM-F24**-P*-B	46,6	25,4	1-7/16-18UNEF-2A	9,5	59
CA06COM-F28**-P*-B	53,4	27,0	1-7/16-18UNEF-2A	9,5	60
CA06COM-F32**-P*-B	60,1	32,5	1-3/4-18UNS-2A	11,0	62
CA06COM-F36**-P*-B	66,3	35,7	2-18UNS-2A	11,8	64



CA06COM-F
with threaded coupling

CA06COM-F is a straight plug with endbell for flex tubes. It mates with receptacles CA00COM, CA01COM and CA02COM-E.



Part No.	A	B	C ¹⁾	D	E	F
Pin Insert*	max	Thread		Thread	min	max
CA06COM-F10SL**-P*	24,1	5/8-24UNEF-2B	8,2	5/8-24UNEF-2A	9,5	45
CA06COM-F12S**-P*	25,8	3/4-20UNEF-2B	8,2	5/8-24UNEF-2A	9,5	45
CA06COM-F14S**-P*	28,8	7/8-20UNEF-2B	11,1	3/4-20UNEF-2A	9,5	45
CA06COM-F16S**-P*	31,8	1-20UNEF-2B	14,3	7/8-20UNEF	9,5	45
CA06COM-F16**-P*	31,8	1-20UNEF-2B	14,3	7/8-20UNEF	9,5	54
CA06COM-F18**-P*	34,1	1-1/8-18UNEF-2B	16,7	1-20UNEF-2A	9,5	54
CA06COM-F20**-P*	37,4	1-1/4-18UNEF-2B	19,8	1-3/16-18UNEF-2A	9,5	55
CA06COM-F22**-P*	40,5	1-3/8-18UNEF-2B	19,8	1-3/16-18UNEF-2A	9,5	58
CA06COM-F24**-P*	43,8	1-1/2-18UNEF-2B	25,4	1-7/16-18UNEF-2A	9,5	59
CA06COM-F28**-P*	50,2	1-3/4-18UNS-2B	27,0	1-7/16-18UNEF-2A	9,5	60
CA06COM-F32**-P*	56,4	2-18UNS-2B	32,5	1-3/4-18UNS-2A	11,0	62
CA06COM-F36**-P*	62,8	2-1/4-16UN-2B	35,7	2-18UNS-2A	11,8	64

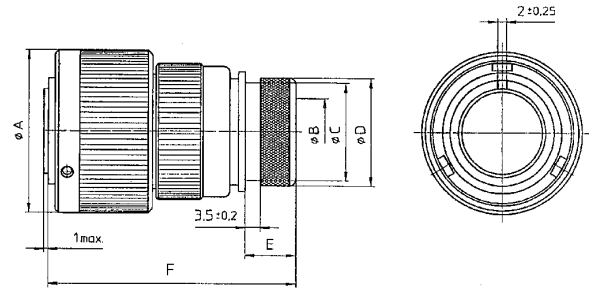
* For socket inserts substitute "S" for "P"
 ** Add contact arrangement number (see pages 6 – 8)
 1) max cable dia

Straight plug, Class E



CA06COM-E-B/-03/-06 with bayonet coupling

CA06COM-E-B/-03/-06 is a straight plug with endbell (wire sealing) for heat shrink boots. It mates with receptacles CA00COM-B, CA01COM-B and CA02COM-E-B.

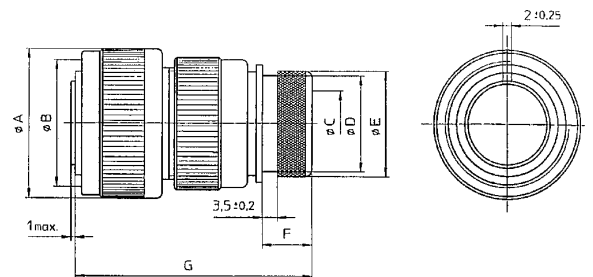


Part No.	A	B ¹⁾	C	D	E	F
Pin Insert*	max		max	$\pm 0,2$	$\pm 0,5$	max
CA06COM-E10SL-**-P*-B-	22,8	7,7	13,3	15,5	11,7	49
CA06COM-E12S-**-P*-B-	26,0	7,9	13,3	15,5	11,7	49
CA06COM-E14S-**-P*-B-	29,2	10,6	17,0	19,1	11,7	49
CA06COM-E16S-**-P*-B-	32,0	13,5	21,9	23,9	11,7	49
CA06COM-E16-**-P*-B-	32,0	13,5	21,9	23,9	11,5	58
CA06COM-E18-**-P*-B-	36,5	14,6	21,9	23,9	11,5	58
CA06COM-E20-**-P*-B-	39,9	18,7	26,2	29,6	12,7	60
CA06COM-E22-**-P*-B-	43,1	20,8	26,2	29,6	12,7	60
CA06COM-E24-**-P*-B-	46,6	24,6	34,5	37,8	12,7	63
CA06COM-E28-**-P*-B-	53,4	27,0	34,5	37,8	12,7	63
CA06COM-E32-**-P*-B-	60,1	33,3	43,6	47,8	15,2	67
CA06COM-E36-**-P*-B-	66,3	38,5	43,6	47,8	15,2	68



CA06COM-E-DN with threaded coupling

CA06COM-E-DN is a straight plug with endbell (wire sealing) for heat shrink boots. It mates with receptacles CA00COM, CA01COM and CA02COM-E.



Part No.	A	B	C ¹⁾	D	E	F	G
Pin Insert*	max	Thread		max	$\pm 0,2$	$\pm 0,5$	max
CA06COM-E10SL-**-P*-DN	24,1	5/8-24UNEF-2B	7,7	13,3	15,5	11,7	49
CA06COM-E12S-**-P*-DN	25,8	3/4-20UNEF-2B	7,9	13,3	15,5	11,7	49
CA06COM-E14S-**-P*-DN	28,8	7/8-20UNEF-2B	10,6	17,0	19,1	11,7	49
CA06COM-E16S-**-P*-DN	31,8	1-20UNEF-2B	13,5	21,9	23,9	11,7	49
CA06COM-E16-**-P*-DN	31,8	1-20UNEF-2B	13,5	21,9	23,9	11,5	58
CA06COM-E18-**-P*-DN	34,1	1-1/8-18UNEF-2B	14,6	21,9	23,9	11,5	58
CA06COM-E20-**-P*-DN	37,4	1-1/4-18UNEF-2B	18,7	26,2	29,6	12,7	60
CA06COM-E22-**-P*-DN	40,5	1-3/8-18UNEF-2B	20,8	26,2	29,6	12,7	60
CA06COM-E24-**-P*-DN	43,8	1-1/2-18UNEF-2B	24,6	34,5	37,8	12,7	63
CA06COM-E28-**-P*-DN	50,2	1-3/4-18UNS-2B	27,0	34,5	37,8	12,7	63
CA06COM-E32-**-P*-DN	56,4	2-18UNS-2B	33,3	43,6	47,8	15,2	67
CA06COM-E36-**-P*-DN	62,8	2-1/4-16UN-2B	38,5	43,6	47,8	15,2	68

* For socket inserts substitute "S" for "P"

** Add contact arrangement number (see pages 6 – 8)

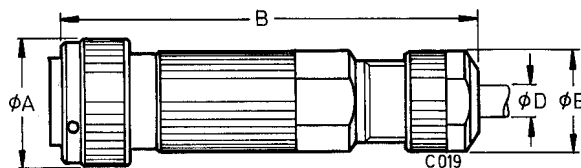
¹⁾ max cable dia

Staright plug, Class IN



CA06COM-IN-B with bayonet coupling

CA06COM-IN-B is a straight plug with universal endbell. It mates with receptacles CA00COM-B, CA01COM-B and CA02COM-E-B.

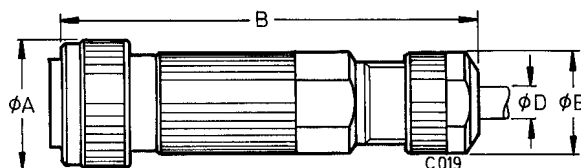


Part No. Pin Insert*	A	B	E	D
CA06COM-IN10SL-**-P*-B	24,1	84	18	D07 = 4,5 – 7,2 mm
CA06COM-IN14S-**-P*-B	28,8	85	18	D07 = 4,5 – 7,2 mm
CA06COM-IN20-**-P*-B	37,4	92	24	D11 = 7,0 – 11,2 mm
CA06COM-IN22-**-P*-B	40,5	96	34	D17 = 14,5 – 17,5 mm



CA06COM-IN with threaded coupling

CA06COM-IN is a straight plug with universal endbell. It mates with receptacles CA00COM, CA01COM and CA02COM-E.



Part No. Pin Insert*	A	B	E	D
CA06COM-IN10SL-**-P*	24,1	84	18	D07 = 4,5 – 7,2 mm
CA06COM-IN14S-**-P*	28,8	85	18	D07 = 4,5 – 7,2 mm
CA06COM-IN20-**-P*	37,4	92	24	D11 = 7,0 – 11,2 mm
CA06COM-IN22-**-P*	40,5	96	34	D17 = 14,5 – 17,5 mm

* For socket inserts substitute "S" for "P"

** Add contact arrangement number (see pages 6 – 8)

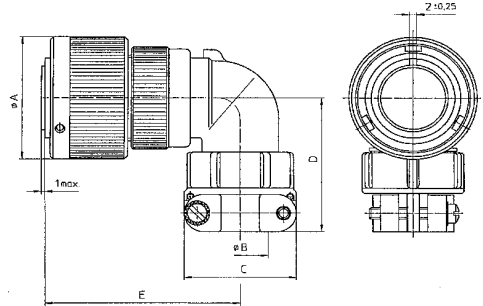
CA-COM

90° Plug, Class E



CA08COM-E-B with bayonet coupling

CA08COM-E-B is a 90° plug with cable clamp. It mates with receptacles CA00COM-B, CA01COM-B and CA02COM-E-B.

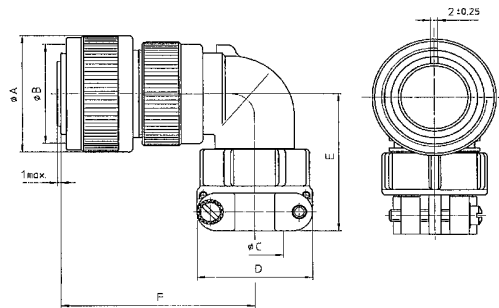


Part No.	A	B ¹⁾	C	D	E
Pin Insert*	max		max	max	max
CA08COM-E10SL-**-P*-B	22,8	7,9	22,7	42	45
CA08COM-E12S-**-P*-B	26,0	7,9	22,7	42	45
CA08COM-E14S-**-P*-B	29,2	11,1	27,5	42	47
CA08COM-E16S-**-P*-B	32,0	14,2	30,0	45	48
CA08COM-E16-**-P*-B	32,0	14,2	30,0	45	48
CA08COM-E18-**-P*-B	36,5	15,8	33,0	53	58
CA08COM-E20-**-P*-B	39,9	19,0	37,5	53	61
CA08COM-E22-**-P*-B	43,1	19,0	37,5	53	61
CA08COM-E24-**-P*-B	46,6	23,7	43,3	58	66
CA08COM-E28-**-P*-B	53,4	23,7	43,3	58	66
CA08COM-E32-**-P*-B	60,1	31,8	51,7	66	72
CA08COM-E36-**-P*-B	66,3	34,6	58,0	69	75



CA08COM-E with threaded coupling

CA08COM-E is a 90° plug with cable clamp. It mates with receptacles CA00COM, CA01COM and CA02COM-E.



Part No.	A	B	C ¹⁾	D	E	F
Pin Insert*	max	Thread		max	max	max
CA08COM-E10SL-**-P*	24,1	5/8-24UNEF-2B	7,9	22,7	42	45
CA08COM-E12S-**-P*	25,8	3/4-20UNEF-2B	7,9	22,7	42	45
CA08COM-E14S-**-P*	28,8	7/8-20UNEF-2B	11,1	27,5	42	47
CA08COM-E16S-**-P*	31,8	1-20UNEF	14,2	30,0	45	48
CA08COM-E16-**-P*	31,8	1-20UNEF	14,2	30,0	45	57
CA08COM-E18-**-P*	34,1	1-1/8-18UNEF-2B	15,8	32,2	53	58
CA08COM-E20-**-P*	37,4	1-1/4-18UNEF-2B	19,0	37,5	53	61
CA08COM-E22-**-P*	40,5	1-3/8-18UNEF-2B	19,0	37,5	53	61
CA08COM-E24-**-P*	43,8	1-1/2-18UNEF-2B	23,7	43,3	58	66
CA08COM-E28-**-P*	50,2	1-3/4-18UNS-2B	23,7	43,3	58	66
CA08COM-E32-**-P*	56,4	2-18UNS-2B	31,8	51,7	66	72
CA08COM-E36-**-P*	62,8	2-1/4-16UN-2B	34,6	58,0	69	75

* For socket inserts substitute "S" for "P"

** Add contact arrangement number (see pages 6 – 8)

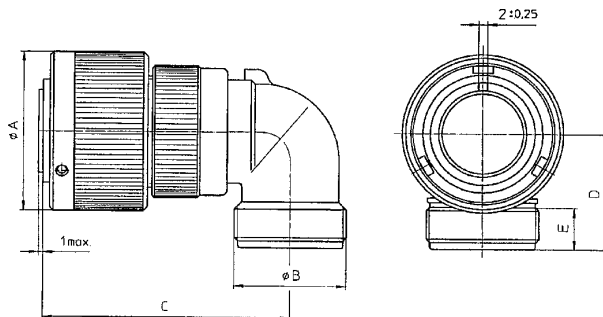
¹⁾ max cable dia

90° Plug, Class F



CA08COM-F-B with bayonet coupling

CA08COM-F-B is a 90° plug for flex tubes. It mates with receptacles CA00COM-B, CA01COM-B and CA02COM-E-B.

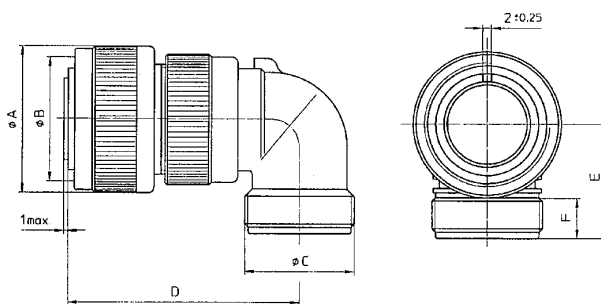


Part No.	A	B	C	D	E
Pin Insert*	max	Thread	max	max	min
CA08COM-F10SL-**-P*-B	22,8	5/8-24UNEF-2A	45	22,0	9,4
CA08COM-F12S-**-P*-B	26,0	5/8-24UNEF-2A	45	22,0	9,4
CA08COM-F14S-**-P*-B	29,2	3/4-20UNEF-2A	47	24,0	9,4
CA08COM-F16S-**-P*-B	32,0	7/8-20UNEF-2A	48	25,0	9,4
CA08COM-F16-**-P*-B	32,0	7/8-20UNEF-2A	57	25,0	9,4
CA08COM-F18-**-P*-B	36,5	1-20UNEF-2A	58	27,0	9,4
CA08COM-F20-**-P*-B	39,9	1-3/16-18UNEF-2A	61	29,0	9,4
CA08COM-F22-**-P*-B	43,1	1-3/16-18UNEF-2A	61	30,0	9,4
CA08COM-F24-**-P*-B	46,6	1-7/16-18UNEF-2A	66	32,0	9,4
CA08COM-F28-**-P*-B	53,4	1-7/16-18UNEF-2A	66	34,0	9,4
CA08COM-F32-**-P*-B	60,1	1-3/4-18UNS-2A	72	39,5	11,0
CA08COM-F36-**-P*-B	66,3	2-18UNS-2A	75	45,0	12,6



CA08COM-F with threaded coupling

CA08COM-F is a 90° plug for flex tubes. It mates with receptacles CA00COM, CA01COM and CA02COM-E.



Part No.	A	B	C	D	E	F
Pin Insert*	max	Thread	Thread	max	max	min
CA08COM-F10SL-**-P*	24,1	5/8-24UNEF-2B	5/8-24UNEF-2A	45	22,0	9,4
CA08COM-F12SL-**-P*	25,8	3/4-20UNEF-2B	5/8-24UNEF-2A	45	22,0	9,4
CA08COM-F14S-**-P*	28,8	7/8-20UNEF-2B	3/4-20UNEF-2A	47	24,0	9,4
CA08COM-F16S-**-P*	31,8	1-20UNEF-2B	7/8-20UNEF-2A	48	25,0	9,4
CA08COM-F16-**-P*	31,8	1-20UNEF-2B	7/8-20UNEF-2A	57	25,0	9,4
CA08COM-F18-**-P*	34,1	1-1/8-18UNEF-2B	1-20UNEF-2A	58	27,0	9,4
CA08COM-F20-**-P*	37,4	1-1/4-18UNEF-2B	1-3/16-18UNEF-2A	61	29,0	9,4
CA08COM-F22-**-P*	40,5	1-3/8-18UNEF-2B	1-3/16-18UNEF-2A	61	30,0	9,4
CA08COM-F24-**-P*	43,8	1-1/2-18UNEF-2B	1-7/16-18UNEF-2A	66	32,0	9,4
CA08COM-F28-**-P*	50,2	1-3/4-18UNS-2B	1-7/16-18UNEF-2A	66	34,0	9,4
CA08COM-F32-**-P*	56,4	2-18UNS-2B	1-3/4-18UNS-2A	72	39,5	11,0
CA08COM-F36-**-P*	62,8	2-1/4-16UN-2B	2-18UNS-2A	75	45,0	12,6

* For socket inserts substitute "S" for "P"

** Add contact arrangement number (see pages 6 – 8)

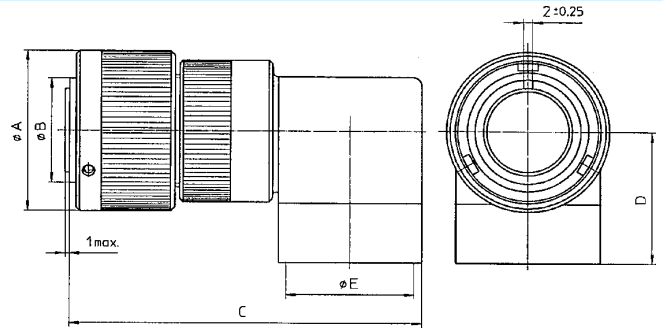
CA-COM

90° Plug, Class PG



CA08COM-PG-B with bayonet coupling

CA08COM-PG-B designates a 90° plug for usage of PG terminations. It mates with receptacles CA01COM-B and CA02COM-B.

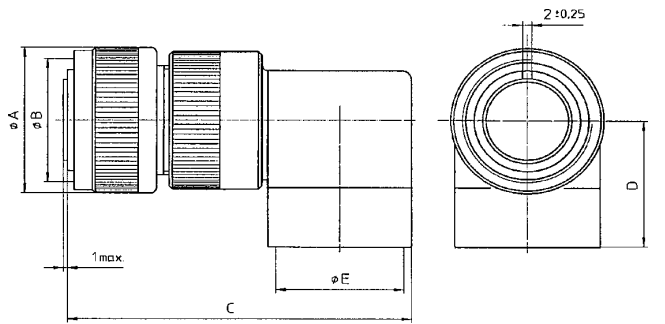


Part No.	A	B	C	D	E
Pin insert*	max	-0,3	max		
CA08COM-PG10SL-**P*-B	22,8	11,3	57	18,5	PG9
CA08COM-PG12S-**P*-B	26,0	14,0	57	18,5	PG9
CA08COM-PG14S-**P*-B	29,2	17,1	59	19,5	PG11
CA08COM-PG16S-**P*-B	32,0	20,4	63	22,0	PG13,5
CA08COM-PG16-**P*-B	32,0	20,4	72	22,0	PG13,5
CA08COM-PG18-**P*-B	36,5	23,6	77	26,3	PG16
CA08COM-PG20-**P*-B	39,9	26,7	82	29,0	PG21
CA08COM-PG22-**P*-B	43,1	29,8	82	29,5	PG21



CA08COM-PG with threaded coupling

CA08COM-PG designates a 90° plug for usage of PG terminations. It mates with receptacles CA01COM and CA02COM.



Part No.	A	B	C	D	E
Pin insert*	max	Thread	max		
CA08COM-PG10SL-**P*	24,1	5/8-24UNEF-2B	57	18,5	PG9
CA08COM-PG12S-**P*	25,8	3/4-20UNEF-2B	57	18,5	PG9
CA08COM-PG14S-**P*	28,8	7/8-20UNEF-2B	59	19,5	PG11
CA08COM-PG16S-**P*	31,8	1-20UNEF-2B	63	22,0	PG13,5
CA08COM-PG16-**P*	31,8	1-20UNEF-2B	72	22,0	PG13,5
CA08COM-PG18-**P*	34,1	1-1/8-18UNEF-2B	77	26,3	PG16
CA08COM-PG20-**P*	37,4	1-1/4-18UNEF-2B	82	29,0	PG21
CA08COM-PG22-**P*	40,5	1-3/8-18UNEF-2B	82	29,5	PG21

* For socket inserts substitute "S" for "P"

** Add contact arrangement number (see pages 6 – 8)

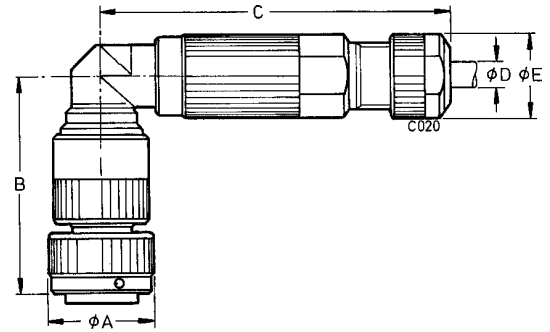
CA-COM

90° Plug, Class IN



CA08COM-IN-B with bayonet coupling

CA08COM-IN-B is a 90° plug with universal endbell. It mates with receptacles CA00COM-B, CA01COM-B and CA02COM-E-B.

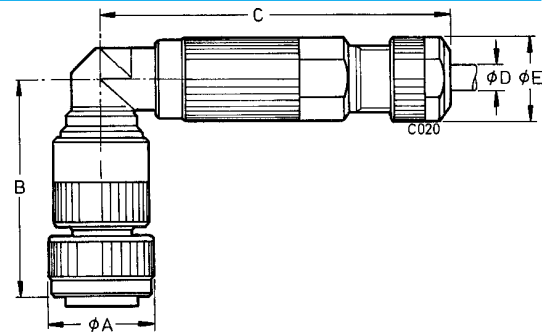


Part No. Pin Insert*	A	B	C	D	E
CA08COM-IN10SL-**P*-B-***-D07	24,1	52	78	D07 = 4,5 – 7,2 mm	18
CA08COM-IN20-**P*-B-***-D11	37,4	62	86	D11 = 7,0 – 11,2	24



CA08COM-IN with threaded coupling

CA08COM-IN is a 90° plug with universal endbell. It mates with receptacles CA00COM, CA01COM and CA02COM-E.



Part No. Pin Insert*	A	B	C	D	E
CA08COM-IN10SL-**P*-***-D07	24,1	52	78	D07 = 4,5 – 7,2 mm	18
CA08COM-IN20-**P*-***-D11	37,4	62	86	D11 = 7,0 – 11,2	24

* For socket inserts substitute "S" for "P"

** Add contact arrangement number (see pages 6 – 8)

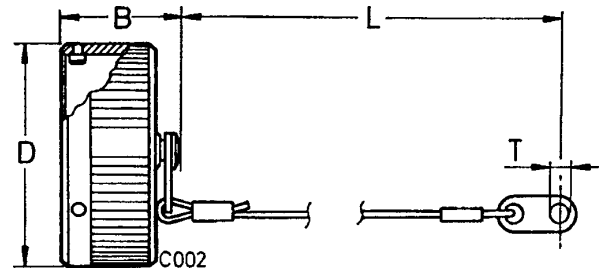
*** 01 Crimp contact

Accessories



Protective caps

for receptacles with bayonet coupling
CA00COM-B, CA02COM-E-B and CA20COM-E-B

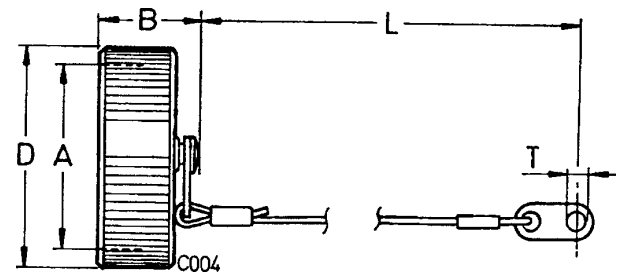


Part No.	Shell size	B ± 0,3	D max	L ± 0,25	T +0,25
CA120003-1701	10 SL	19,5	22,4	107	4,3
CA120003-1702	12S	19,5	25,6	107	4,3
CA120003-1703	14S	19,5	28,8	107	4,3
CA121003-1704	16S	19,5	31,6	107	4,3
CA121003-1705	16	24,5	31,6	120	4,3
CA121003-1706	18	24,5	35,7	120	4,3
CA121003-1707	20	24,5	39,1	134	4,3
CA121003-1708	22	24,5	42,3	134	4,3
CA121003-1709	24	24,5	45,8	134	4,3
CA121003-1710	28	24,5	51,6	176	5,5
CA121003-1711	32	24,5	58,3	176	5,5
CA121003-1712	36	24,5	64,5	176	5,5



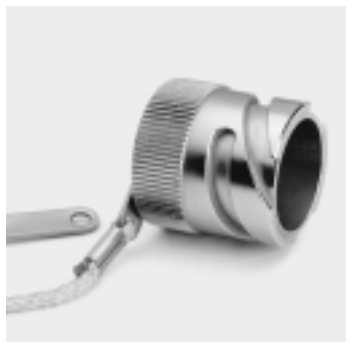
Protective caps

for receptacles with threaded coupling
CA00COM, CA02COM-E and CA20COM



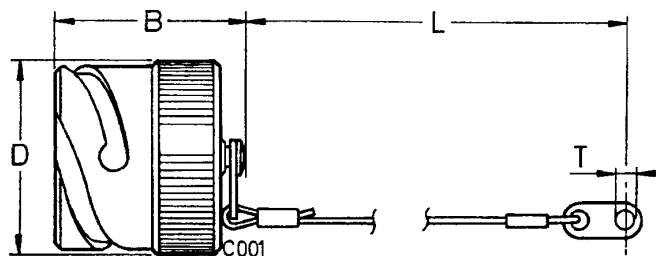
Part No.	Shell size	A Thread	B max	D max	L max	T +0,2
CA121003-1601	10SL	5/8-24UNEF-2B	16,0	20,2	114	3,6
CA121003-1602	12S	3/4-20UNEF-2B	16,0	23,4	127	3,6
CA121003-1603	14S	7/8-20UNEF-2B	16,0	26,6	127	3,6
CA121003-1604	16S, 16	1-20UNEF-2B	16,0	29,8	127	3,6
CA121003-1606	18	1-1/8-18UNEF-2B	16,0	32,9	127	3,6
CA121003-1607	20	1-1/4-18UNEF-2B	16,0	36,1	141	3,6
CA121003-1608	22	1-3/8-18UNEF-2B	16,0	39,4	141	3,6
CA121003-1609	24	1-1/2-18UNEF-2B	16,0	42,6	154	4,4
CA121003-1610	28	1-3/4-18UNEF-2B	18,0	48,9	214	4,4
CA121003-1611	32	2-18UNS-2B	18,0	55,3	214	4,8
CA121003-1612	36	2-1/4-16UN-2B	18,0	61,6	214	4,8

Accessories

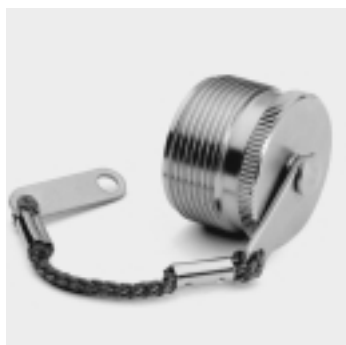


Protective caps

for plugs with bayonet coupling
CA06COM-B and CA08COM-B

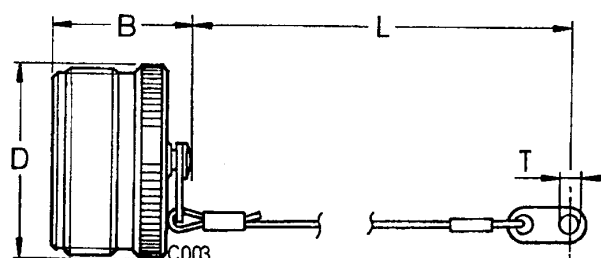


Part No.	Shell size	B max	D max	L ca	T +0,5
CA121004-1701	10 SL	29,0	20,7	107	4,3
CA121004-1702	12S	29,0	23,9	120	4,3
CA121004-1703	14S	29,0	27,1	120	4,3
CA121004-1704	16S	29,0	29,9	120	4,3
CA121004-1705	16	37,0	29,9	134	4,3
CA121004-1706	18	37,0	33,3	134	4,3
CA121004-1707	20	37,0	36,7	147	4,7
CA121004-1708	22	37,0	39,9	147	4,7
CA121004-1709	24	37,0	43,4	147	4,7
CA121004-1710	28	37,0	49,2	204	4,7
CA121004-1711	32	37,0	55,9	204	5,5
CA121004-1712	36	37,0	62,1	204	5,5



Protective caps

for plugs with threaded coupling
CA06COM and CA08COM

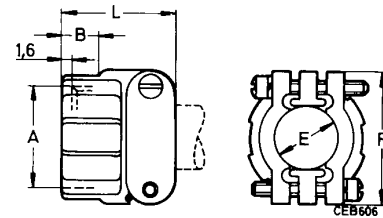


Part No.	Shell size	A Thread	B max	D max	L max	T +0,4
CA121004-1601	10SL	5/8-24UNEF-2A	20,5	16,7	114	4,0
CA121004-1602	12S	3/4-20UNEF-2A	25,0	19,8	127	4,0
CA121004-1603	14S	7/8-20UNEF-2A	25,0	23,0	127	4,0
CA121004-1604	16S, 16	1-20UNEF-2A	25,0	26,2	127	4,0
CA121004-1606	18	1-1/8-18UNEF-2A	25,0	29,4	127	4,0
CA121004-1607	20	1-1/4-18UNEF-2A	25,0	32,5	141	4,8
CA121004-1608	22	1-3/8-18UNEF-2A	25,0	35,7	141	4,8
CA121004-1609	24	1-1/2-18UNEF-2A	25,0	38,9	154	4,8
CA121004-1610	28	1-3/4-18UNEF-2A	25,0	45,2	214	4,8
CA121004-1611	32	2-18UNS-2A	25,0	51,6	214	5,6
CA121004-1612	36	2-1/4-16UN-2A	25,0	57,9	214	5,6

Accessories



Cable clamp without bushing

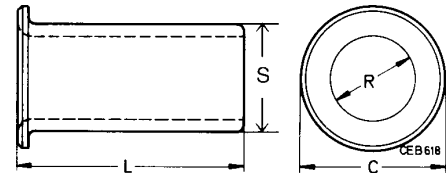


Part No.	Shell size	A Thread	B max	E max	L max	R max	Shell weight g
CA121051-325	10SL, 12S	5/8-24UNEF-2B	10,5	7,9	20,8	22,6	13,2
CA121051-326	14S	3/4-20UNEF-2B	10,6	11,1	22,4	27,4	18,0
CA121051-327	16S, 16	7/8-20UNEF-2B	10,5	14,2	24,0	29,8	23,6
CA121051-328	18	1-20UNEF-2B	10,5	15,8	24,0	32,2	27,3
CA121051-329	20, 22	1-3/16-18UNEF-2B	10,5	19,0	24,0	37,4	37,2
CA121051-330	24, 28	1-7/16-18UNEF-2B	10,5	23,7	26,4	43,5	56,3
CA121051-331	32	1-3/4-18UNS-2B	12,0	31,8	28,0	51,7	83,9
CA121051-332	36	2-18UNS-2B	13,7	34,6	29,6	57,8	109,8



Telescoping bushing

The telescoping bushing is used together with above cable clamps CA121051-.... It keeps oil, dirt or dust out of the endbell. Wrapping or insulating of the wires fed through the clamp is eliminated since they are protected by the bushing. Combinations of bushings may be used to reduce cable entry diameters for improved sealing.

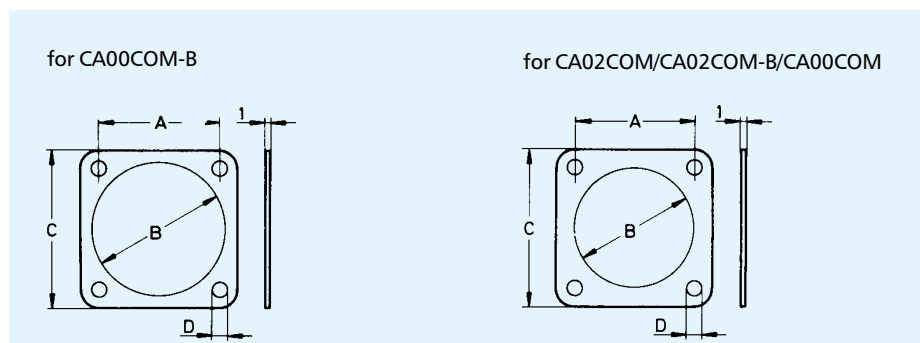


Material: Polychloroprene

Part No.	Shell size	C max	L max	R	S
012-8552-000	10SL,12S	10,0	70,4	-0,3	-0,3
012-8554-000	14S	12,8	67,4	6,7	8,1
012-0218-000	16S, 16	18,9	63,9	9,2	11,0
012-0219-000	18	22,1	60,6	11,2	14,2
012-0220-000	20, 22	27,0	57,4	14,4	15,8
012-8555-000	24, 28	27,0	57,4	16,0	18,9
012-8556-000	24, 28	33,5	54,4	16,7	21,3
012-8557-000	32	33,5	54,4	21,6	23,7
012-8558-000	32	40,5	51,4	21,6	26,6
012-8558-000	32	40,5	51,4	26,9	31,6
012-8558-000	36	40,5	51,4	26,9	31,6
012-0223-000	36	47,0	48,4	31,9	34,8

Gaskets

These sealing gaskets made of neoprene are used with receptacles with flange for sealing between the shell and the flange of the receptacle.



Rear panel mounting

Part No.	Shell size	A	B	C	D
		$\pm 0,1$	$+0,2$	$\pm 0,3$	$+0,2$
075-8501-000	10SL	18,2	18,2	25,4	4,2
075-8502-000	12S	20,6	21,4	28,0	4,2
075-8503-000	14S	23,0	24,6	30,0	4,2
075-8504-000	16S, 16	24,6	27,4	32,5	4,2
075-8505-000	18	27,0	30,8	35,0	4,2
075-8506-000	20	29,4	34,2	38,0	4,2
075-8507-000	22	31,8	37,4	41,0	4,2
075-8508-000	24	34,9	40,8	44,5	4,2
075-8509-000	28	39,7	46,7	50,8	5,2
075-8510-000	32	44,5	53,4	57,0	5,2
075-8511-000	36	49,2	59,6	63,5	5,2

Front panel mounting

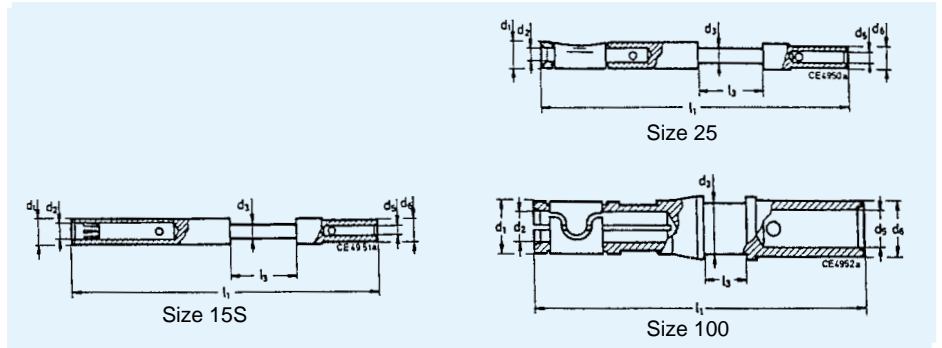
Part No.	Shell size	A	B	C	D
		$\pm 0,1$	$+0,2$	$\pm 0,3$	$+0,2$
075-8512-000	10SL	15,7	18,2	25,4	4,2
075-8513-000	12S	20,6	18,9	28,0	4,2
075-8514-000	14S	23,0	22,1	30,0	4,2
075-8515-000	16S, 16	24,6	25,3	32,5	4,2
075-8516-000	18	27,0	28,4	35,0	4,2
075-8517-000	20	29,4	31,6	38,0	4,2
075-8518-000	22	31,8	34,8	41,0	4,2
075-8519-000	24	34,9	38,0	44,5	4,2
075-8520-000	28	39,7	44,3	50,8	5,2
075-8521-000	32	44,5	50,7	57,0	5,2
075-8522-000	36	49,2	57,0	63,5	5,2

Contacts

Standard contacts and contacts with reduced termination size

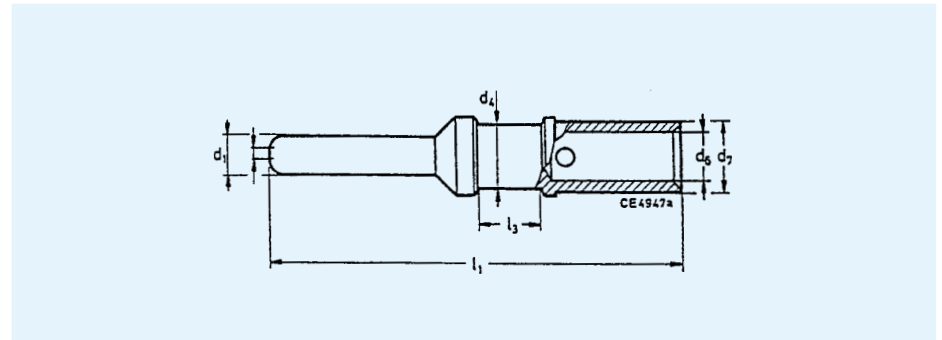
Finish:

A36 - 5 µm silver plated (Standard)



Socket contacts

Contact size	Termination size mm ²	Part number with finish A36	d1	d2 +0,05	d3	d5	d6	l1 ± 0,2	l2 ± 0,1
15S	0,75 - 1,5	031-8555-110	3,2 ^{-0,15}	1,65	1,75 ^{-0,1}	1,75 ^{+0,08}	2,75 ^{-0,05}	29,1	3,9
	0,3 - 0,6	031-8688-110	3,2 ^{-0,15}	1,65	1,75 ^{-0,1}	1,2 ^{+0,1}	2,75 ^{-0,05}	29,1	3,9
	0,14 - 0,38	031-8555-130	3,2 ^{-0,15}	1,65	1,75 ^{-0,1}	0,9 ^{+0,05}	2,75 ^{-0,05}	29,1	3,9
15	0,75 - 1,5	031-8556-110	3,2 ^{-0,15}	1,65	1,75 ^{-0,1}	1,75 ^{+0,08}	2,75 ^{-0,05}	37,8	7,9
	0,3 - 0,6	031-8639-120	3,2 ^{-0,15}	1,65	1,75 ^{-0,1}	1,2 ^{+0,1}	2,75 ^{-0,05}	37,8	7,9
	0,14 - 0,38	031-8556-130	3,2 ^{-0,15}	1,65	1,75 ^{-0,1}	0,9 ^{+0,05}	2,75 ^{-0,05}	37,8	7,9
25	2,0 - 3,0	031-8557-000	4,8 ^{-0,1}	2,45	3,3 ^{-0,1}	2,5 ^{+0,1}	3,8 ^{-0,1}	37,0	7,9
	0,75 - 1,5	031-8557-020	4,8 ^{-0,1}	2,45	3,3 ^{-0,1}	1,75 ^{+0,08}	3,8 ^{-0,1}	37,0	7,9
	4,0	031-8557-010	4,8 ^{-0,1}	2,45	3,3 ^{-0,1}	2,8 ^{+0,1}	3,8 ^{-0,1}	37,0	7,9
	0,3 - 0,6	031-8557-040	4,8 ^{-0,1}	2,45	3,3 ^{-0,1}	1,2 ^{+0,1}	3,8 ^{-0,1}	37,0	7,9
100	6,0	031-8558-000	6,5 ^{-0,2}	3,65	6,25 ^{-0,2}	3,5 ^{+0,1}	6,8 ^{-0,1}	40,1	6,35
	10,0	031-8559-000	6,5 ^{-0,2}	3,65	6,25 ^{-0,2}	4,8 ^{+0,1}	6,8 ^{-0,1}	40,1	6,35
	2,0 - 3,0	031-8519-010	6,5 ^{-0,2}	3,65	6,25 ^{-0,2}	2,5 ^{+0,05}	6,8 ^{-0,1}	40,1	6,35
	4,0	031-8519-000	6,5 ^{-0,2}	3,65	6,25 ^{-0,2}	4,55 ^{+0,1}	6,8 ^{-0,1}	40,1	6,35



Pin Contacts

Contact size	Termination size mm ²	Part number with finish A36	d1 -0,05	d4	d6	d7	l1 ± 0,15	l3 ± 0,5
15S	0,75 - 1,5	030-8586-000	1,6	1,75 ^{-0,1}	1,75 ^{+0,08}	2,75 ^{-0,05}	27,4	3,85
	0,3 - 0,6	330-8744-000	1,6	1,75 ^{-0,1}	1,2 ^{+0,1}	2,75 ^{-0,05}	27,4	3,85
	0,14 - 0,38	030-8586-010	1,6	1,75 ^{-0,1}	0,9 ^{+0,05}	2,75 ^{-0,05}	27,4	3,85
15	0,75 - 1,5	030-8587-000	1,6	1,75 ^{-0,1}	1,75 ^{+0,08}	2,75 ^{-0,05}	31,4	7,9
	0,3 - 0,6	330-8659-000	1,6	1,75 ^{-0,1}	1,2 ^{+0,1}	2,75 ^{-0,05}	31,4	7,9
	0,14 - 0,38	030-8587-030	1,6	1,75 ^{-0,1}	0,9 ^{+0,05}	2,75 ^{-0,05}	31,4	7,9
25	2,0 - 3,0	030-8588-000	2,4	3,3 ^{-0,15}	2,5 ^{+0,1}	3,8 ^{-0,1}	37,0	7,9
	0,75 - 1,5	030-8588-010	2,4	3,3 ^{-0,15}	1,75 ^{+0,08}	3,8 ^{-0,1}	37,0	7,9
	4,0	030-8588-054	2,4	3,3 ^{-0,15}	2,8 ^{+0,1}	3,8 ^{-0,1}	37,0	7,9
100	6,0	030-8589-000	3,6	6,25 ^{-0,15}	3,5 ^{+0,1}	6,8 ^{-0,1}	39,6	6,35
	10,0	030-8590-000	3,6	6,25 ^{-0,15}	4,8 ^{+0,1}	6,8 ^{-0,1}	39,6	6,35
	2,0 - 3,0	030-8612-010	3,6	6,25 ^{-0,15}	2,5 ^{+0,05}	6,8 ^{-0,1}	39,6	6,35
	4,0	030-8612-020	3,6	6,25 ^{-0,15}	2,8 ^{+0,1}	6,8 ^{-0,1}	39,6	6,35

Tooling

Hand crimp tool

for pin / socket contacts acc to VG95234 and Cannon contacts with reduced termination size

Contact size	Wire size mm ²	Hand crimp tools	Order reference	Crimp locator	Order reference
15	0,3 – 1,5	M22520-1-01	995-0001-585	TH 452	995-0002-052
15S	0,3 – 1,5				
25	0,3 – 4,0				

Pneumatic crimp tool

for pin / socket contacts acc to VG95234 and Cannon contacts with reduced termination size

Contact size	Wire size mm ²	Pneumatic table crimp tool	Order reference	Bench mount	Order reference	Foot pedal	Order reference	Crimp locator	Order reference
15	0,3 – 1,5	WA27F-CE	121586-5067	BM-2	121586-5068	WA10	121586-5069	TH 452	995-0002-052
15S	0,3 – 1,5								
25	0,3 – 4,0								

Hydraulic hand crimp tool

for pin / socket contacts acc to VG95234 and Cannon contacts with reduced termination size

Contact size	Wire size mm ²	Hand pump	Order reference	Foot pedal	Order reference	High pressure hose 2 m	Order reference	Crimp head	Order reference
100	2,0 – 10,0	4601.00000.330	121586-0027	4601.51000.330	121586-0008	4604.00000.020	121586-0023	4632.00000.601	121586-0031
		Safety device incl. Bench mounting	Order reference	Positioner	Order reference	Crimp Turrets (upper crimp die) Order reference		Crimp Turrets (lower crimp die) Order reference	
		CT121086-3079	121086-3079	121086-3080	121086-3080	317-8531-000	317-8531-001		

Note: Hydraulic electro pump (HK 12EL) upon request.

Insertion tools / Extraction tools

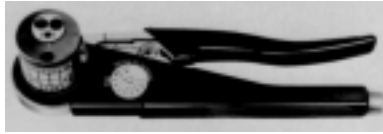
Contact size	Insertion tools		Insertion pliers		Extraction tools	
	Part No.	Order reference	Part No.	Order reference	Part No.	Order reference
15	CIT 16	121086-3008	CIT-F80-16	121086-0097	CET-F80-16	121086-0081
25	CIT 12	121086-3007	CIT-F80-12	121086-0096	CET-F80-12	121086-0080
100	CIT 8	121086-0095			CET-8	121086-0079

Crimp contacts

Connectors of series CA-COM and CA-COM-B are also available with crimp contacts for AWG wire sizes. In order to wire, insert and extract these contacts the tools mentioned on this page are needed. All tools have to be ordered separately.

Please ask for our detailed **Wiring and Assembly instructions**.

Hand crimp tool

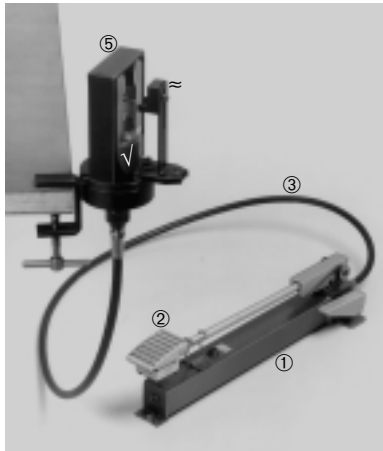


Dimensions (closed, without locator)
220 x 60 x 22 mm
Weight (without turret) approx. 800 g

Pneumatic crimp tool

Pneumatic table crimp tool WA 27F-CE

Hydraulic hand crimp tool



- 1 Hand pump
- 2 Foot pedal
- 3 High pressure hose 2 m
- 4 Crimp head
- 5 Safety device incl. bench mounting
- 6 Positioner
(to be used with 121086-3079 only)

Technical Data
Hand pump:
 Length 560 mm
 Width 140 mm
 Height 120 mm
 Oil contents 900 cm³
 Usable oil quality 730 cm³
 Output per lift 2,5 cm³
High pressure hose:
 Length 2 m
Crimp head:
 Crimp force 120 kN
 Lift (with positioners) 25 mm
 Weight (incl. oil) 13 kg approx.

Insertion tools / Extraction tools



Insertion tool



Insertion pliers



Extraction tool

Product Safety Information

THIS NOTE SHOULD BE READ IN CONJUNCTION WITH THE PRODUCT DATA SHEET/CATALOGUE. FAILURE TO OBSERVE THE ADVICE IN THIS INFORMATION SHEET AND THE OPERATING CONDITIONS SPECIFIED IN THE PRODUCT DATA SHEET/CATALOGUE COULD RESULT IN HAZARDOUS SITUATIONS.

1. MATERIAL CONTENT AND PHYSICAL FORM

Electrical connectors do not usually contain hazardous materials. They contain conducting and non-conducting materials and can be divided into two groups.

a) Printed circuit types and low cost audio types which employ all plastic insulators and casings.

b) Rugged, Fire Barrier and High Reliability types with metal casings and either natural rubber, synthetic rubber, plastic or glass insulating materials.

Contact materials vary with type of connector and also application and are usually manufactured from either copper, copper alloys, nickel, alumel, chromel or steel. In special applications, other alloys may be specified.

2. FIRE CHARACTERISTICS AND ELECTRIC SHOCK HAZARD

There is no fire hazard when the connector is correctly wired and used within the specified parameters. Incorrect wiring or assembly of the connector or careless use of metal tools or conductive fluids, or transit damage to any of the component parts may cause electric shock or burns. Live circuits must not be broken by separating mated connectors as this may cause arcing, ionisation and burning.

Heat dissipation is greater at maximum resistance in a circuit. Hot spots may occur when resistance is raised locally by damage, e.g. cracked or deformed contacts, broken strands of wire. Local overheating may also result from the use of the incorrect application tools or from poor quality soldering or slack screw terminals. Overheating may occur if the ratings in the Product Data Sheet/Catalogue are exceeded and can cause breakdown of insulation and hence electric shock.

If heating is allowed to continue it intensifies by further increasing the local resistance through loss of temper of spring contacts, formation of oxide film on contacts and wires, and leakage currents through carbonisation of insulation and tracking paths. Fire can then result in the presence of combustible materials and this may release noxious fumes. Overheating may not be visually apparent. Burns may result from touching overheated components.

3. HANDLING

Care must be taken to avoid damage to any component parts of electrical connectors during installation and use. Although there are normally no sharp edges, care must be taken when handling certain components to avoid injury to fingers.

Electrical connectors may be damaged in transit to the customers, and damage may result in creation of hazards. Products should therefore be examined prior to installation/use and rejected if found to be damaged.

4. DISPOSAL

Incineration of certain materials may release noxious or even toxic fumes.

5. APPLICATION

Connectors with exposed contacts should not be selected for use on the current supply side of an electrical circuit, because an electric shock could result from touching exposed contacts on an unmated connector. Voltages in excess of 30 V ac or 42.5 V dc are potentially hazardous and care should be taken to ensure that such voltages can not be transmitted in any way to exposed metal parts of the connector body. The connector and wiring should be checked, before making live, to have no damage to metal parts or insulators, no solder blobs, loose strands, conducting lubricants, swarf, or any other undesired conducting particles. Insulation resistance should be checked to make certain that no low resistance joints or spurious conducting path are existing between contacts and exposed metal parts of the connector body. Further the contact resistance of the connectors should be measured within the electrical circuit in order to identify high resistances which result in excessive connector heating.

Always use the correct application tools as specified in the Data Sheet/Catalogue.

Do not permit untrained personnel to wire, assemble or tramper with connectors.

For operation voltage please see appropriate national regulations.

IMPORTANT GENERAL INFORMATION.

1. Air and creepage paths/Operating voltage

The admissible operating voltages depend on the individual applications and the valid national and other applicable safety regulations.

For this reason the air and creepage path data are only reference values. Observe reduction of air and creepage paths due to PC board and/or harnessing.

2. Temperature

All information given are temperature limits. The operation temperature depends on the individual application.

3. Other important information

Cannon continuously endeavours to improve their products. Therefore, Cannon products may deviate from the description, technical data and shape as shown in this catalogue and data sheets.

4. Harnessing and Assembly Instructions

If applicable, our special harnessing and/or assembly instruction has to be adhered to. This is provided at request.

ITT Cannon, a division of ITT Industries, Inc. manufactures the highest quality products available in the marketplace; however these products are intended to be used in accordance with the specifications in this catalog. Any use or application that deviates from stated operating specifications is not recommended and may be unsafe. No information and data contained in this catalog shall be construed to create any liability on the part of Cannon. Any new issue of this catalog shall automatically invalidate and supersede any and all previous issues. **A limited warranty applies to Cannon products. Except for obligations assumed by Cannon under this warranty, Cannon shall not be liable for any loss, damage, cost of repairs, incidental or consequential damages of any kind, whether or not based on express or implied warranty, contract, negligence or strict liability arising in connection with the design, manufacture, sale, use or repair of the products.** Product availability, prices and delivery dates are exclusively subject to our respective order confirmation form; the same applies to orders based on development samples delivered. This catalog is not to be construed as an offer. It is intended merely as an invitation to make an offer. By this publication, Cannon does not assume responsibility or any liability for any patent infringements or other rights of third parties which may result from its use. Reprinting this catalog is generally permitted, indicating the source. However, Cannon's prior consent must be obtained in all cases.

Cannon is a trademark of ITT Industries, Inc