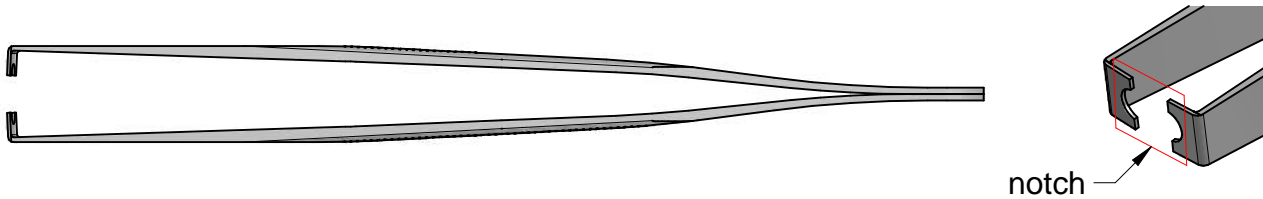
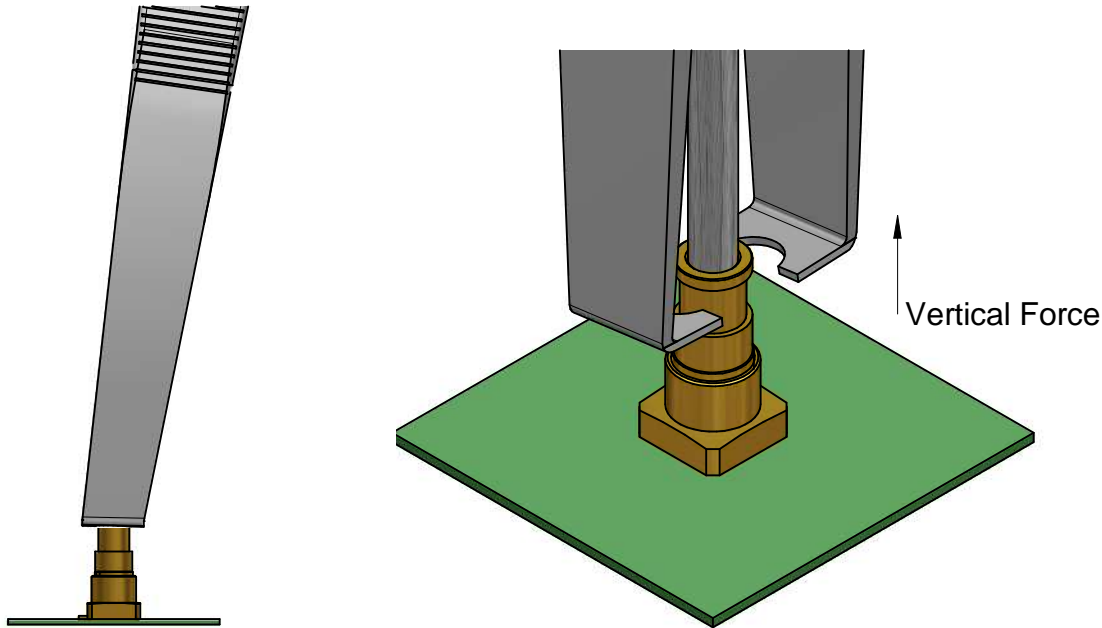


SMP extraction tool is designed to disengage SMP jacks from SMP plugs with either full detent or limited detent interface to avoid connector being damaged because of high retention force

1. Notch designed at the tool to clamp connector appropriately



2. Clamp the groove at SMP jack, and pull off vertically only without applying extremely angle (see Special Notes)



Order Code : 6006010201

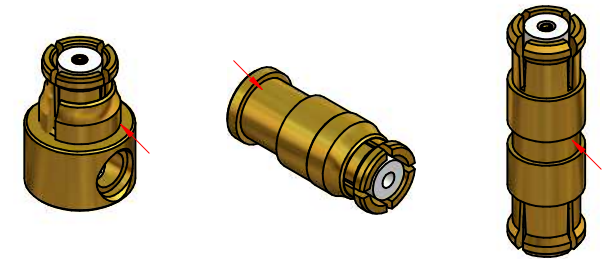
Material : Stainless steel

Dimensions (mm) : 123 x 10.9

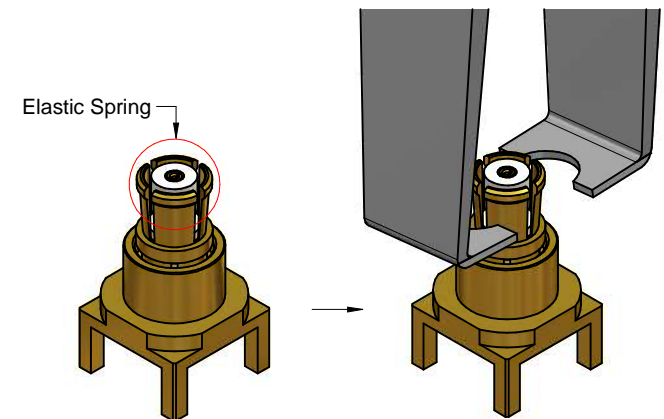


Special Notes :

Note 1 : Groove designed at SMP connectors for clamping



Note 2 : 64401101121002 is too short to have groove designed for clamping. Please apply notch at elastic spring for disengaging



Applicable Order Code :

WR-SMP	WR-CXASY	WR-ADPT
60129011120920	65503321215301	64401101121002
60129011120820	65503521215301	64401101121003
60119011120920	65503321115301	
60119011120820	65503521115301	
	65503320815301	
	65503520815301	

Würth Elektronik eiSos GmbH & Co. KG
EMC & Inductive Solutions

Max-Eyth-Str. 1
74638 Waldenburg
Germany
com. +49 79 42 945 - 0

www.we-online.de
eiSos@we-online.de



CREATED
BMa

CHECKED
OTs

DESCRIPTION

SMP Extraction Tool Manual Instruction

600 601 020 1

REVISION

STATUS

DATE

2020-07-01

BUSINESS UNIT

eiCan