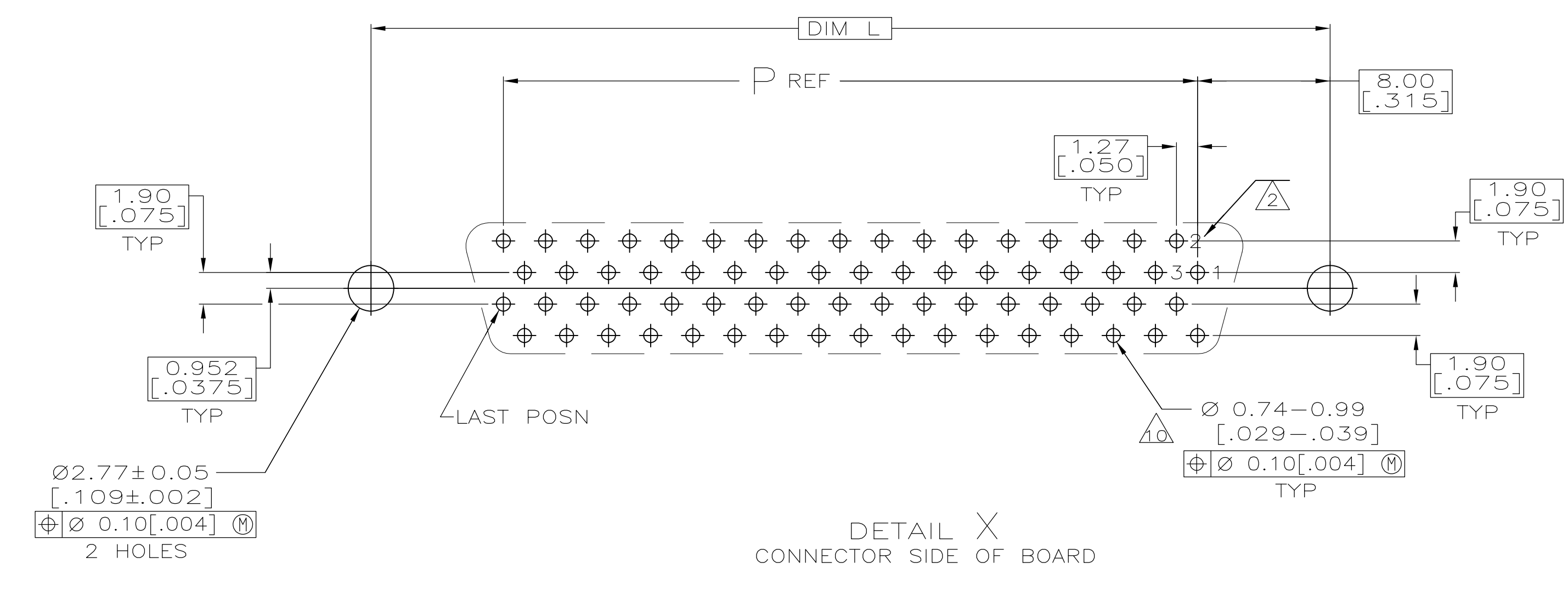
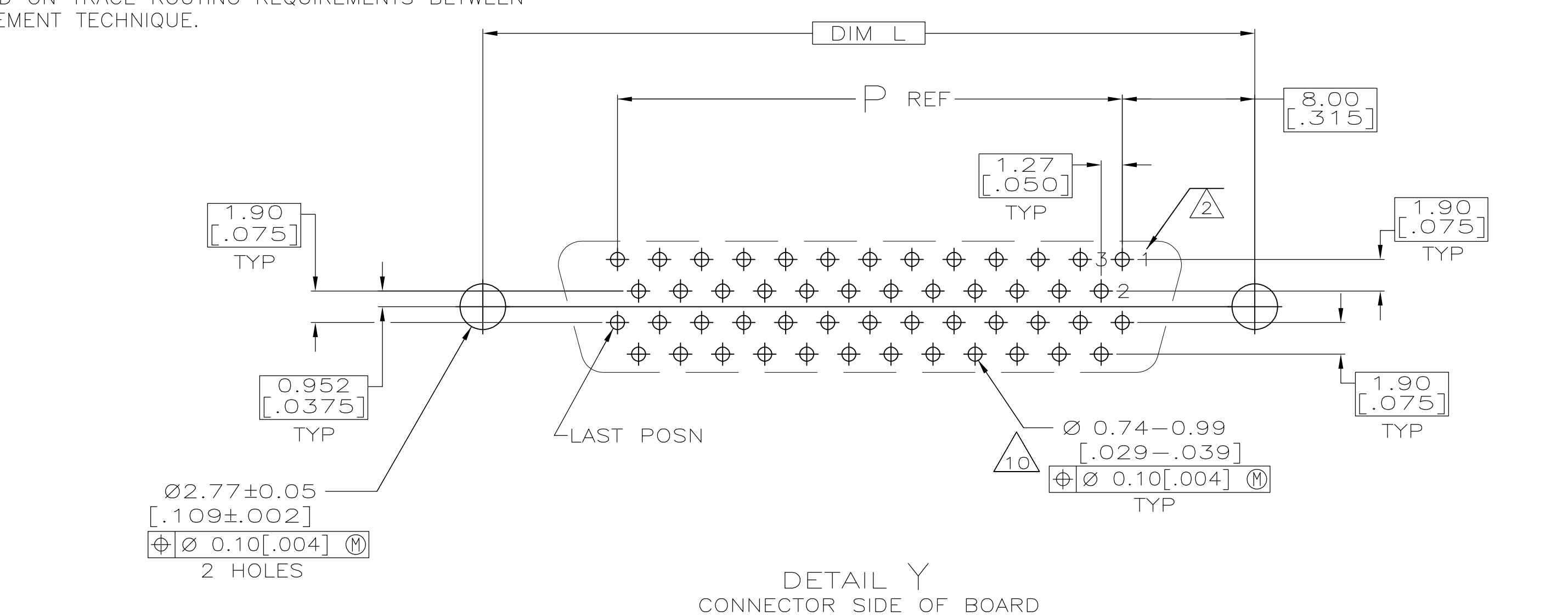
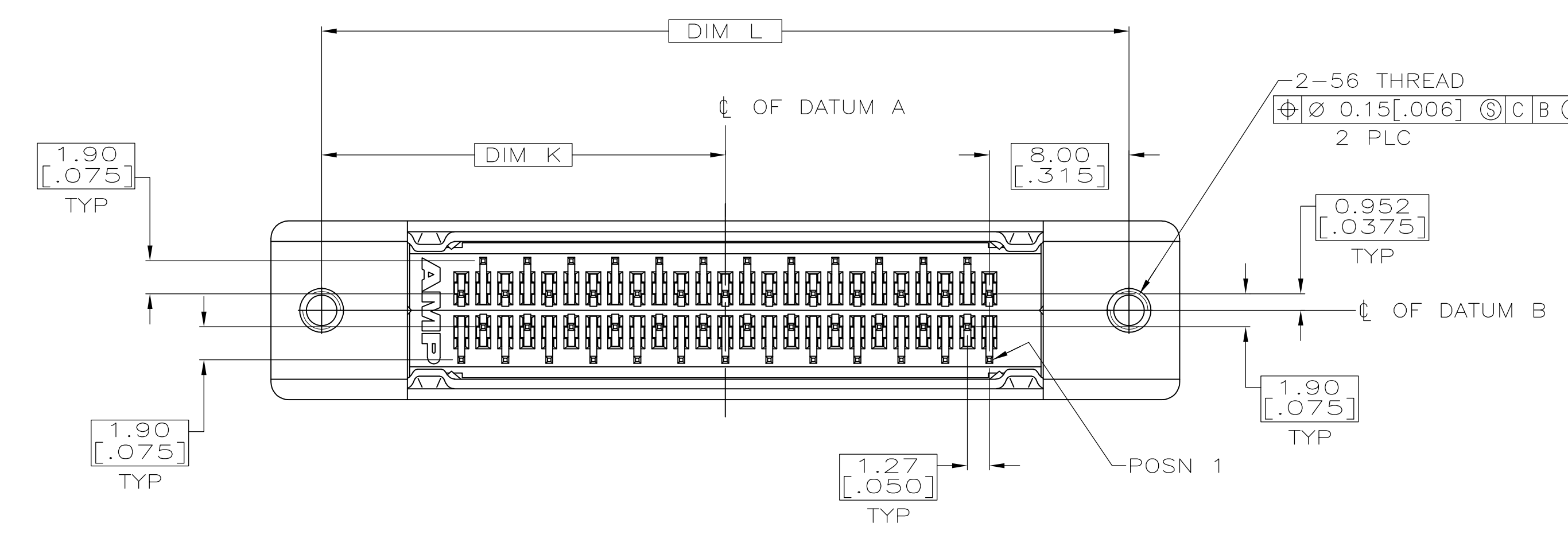
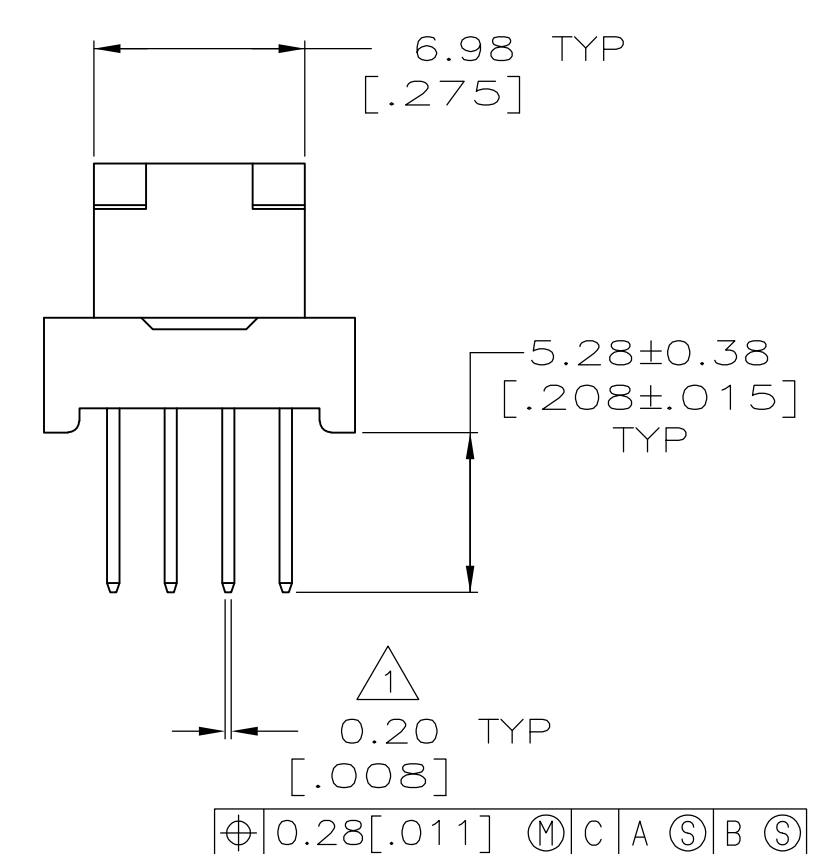
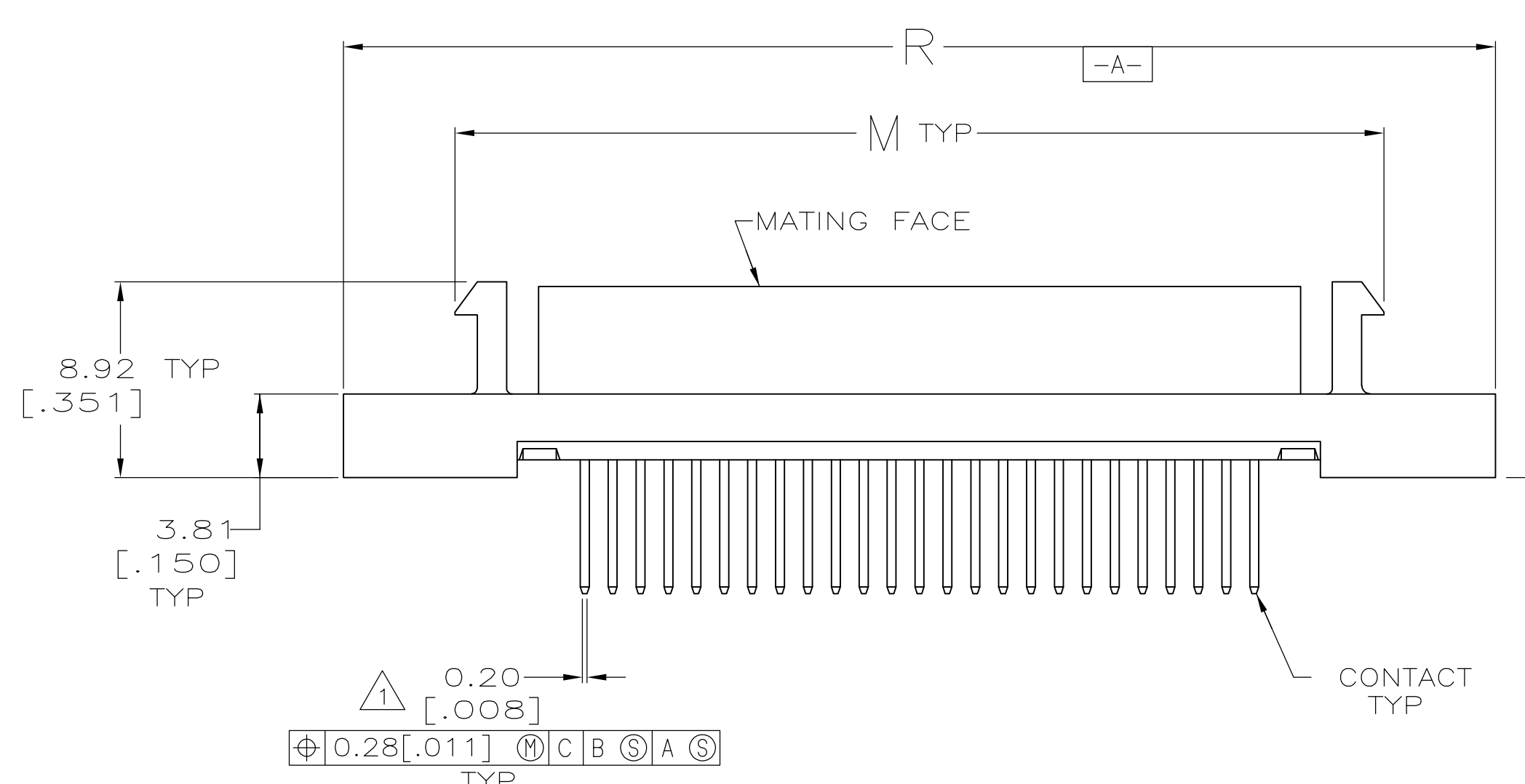
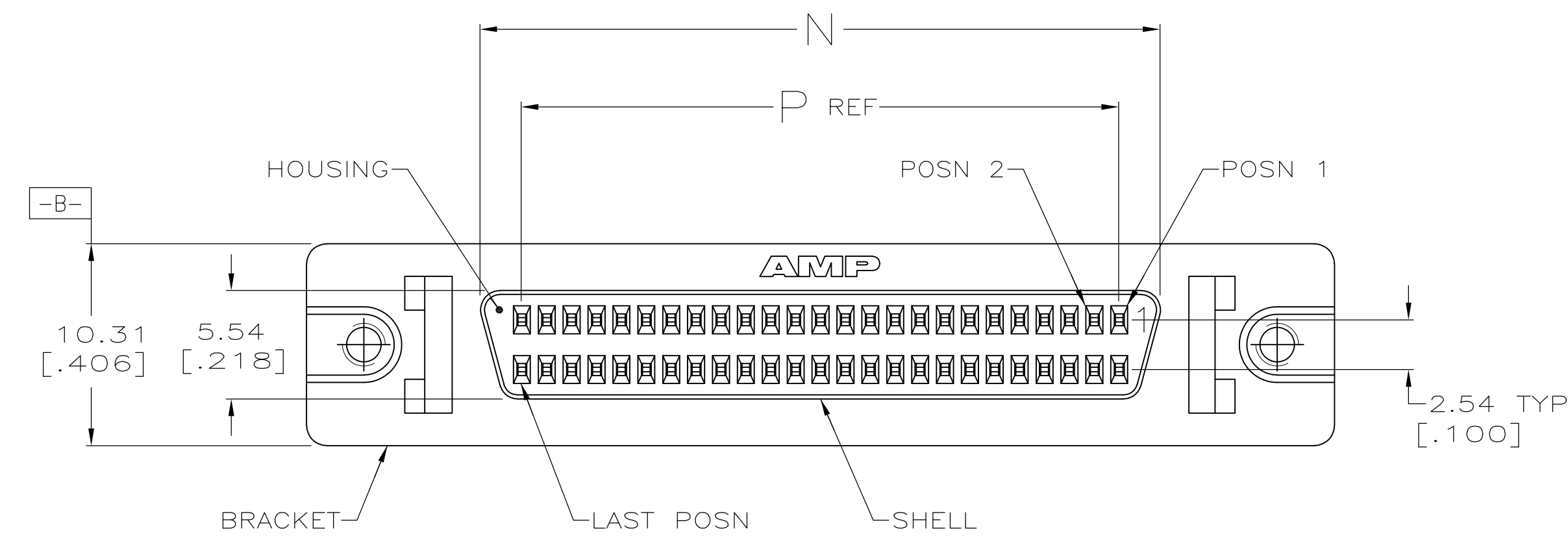


- ⚠ POSITION TOLERANCE APPLIES AT CONTACT TIP.
- ⚠ POSITION NUMBERS SHOWN FOR REFERENCE ONLY.
- ⚠ MATERIAL
 HOUSING: POLYESTER, UL 94V-0 RATED, BLACK.
 SHELL: CARBON STEEL.
 CONTACTS: PHOSPHOR BRONZE.
 BRACKET: ZINC.
- ⚠ FINISH
 SHELL: 5.08μm [.000200] MIN NICKEL OVER 1.27μm [.000050] MIN COPPER.
 BRACKET: 3.81μm [.000150] MIN NICKEL OVER 5.08μm [.000200] MIN COPPER.
 CONTACTS: EITHER 0.76μm [.000030] MIN GOLD PLATE FOR A LENGTH OF 0.64 [.025] MIN, 0.13 [.005] MAX FROM MATING END, OR GOLD FLASH PLATED OVER PALLADIUM NICKEL PLATE, 0.76μm [.000030] MIN TOTAL FOR A LENGTH OF 0.64 [.025] MIN, 0.13 [.005] MAX FROM MATING END. 3.81μm [.000150] MIN TIN ON SOLDER POST, ALL OVER 1.27μm [.000050] MIN NICKEL UNDERPLATE.
- ⚠ ACTUAL HOLE SIZE WILL DEPEND ON TRACE ROUTING REQUIREMENTS BETWEEN HOLES AND CONNECTOR PLACEMENT TECHNIQUE.



PER DETAIL Y	52.45 [2.065]	30.48 [1.200]	34.70 [1.366]	42.29 [1.665]	46.48 [1.830]	23.24 [.915]	50	5786136-5
RECOMMENDED PCB MTG DIMENSIONS	R	P	N	M	L	K	NO OF POSN	PART NO

**COPYRIGHT 2005
 TYCO ELECTRONICS CORP
 ALL RIGHTS RESERVED**

THIS DRAWING IS A CONTROLLED DOCUMENT.

DIMENSIONS: mm [INCHES]	TOLERANCES UNLESS OTHERWISE SPECIFIED:	DWN G. ATTADIA - 02-25-05	02-25-05	Tyco Electronics Corporation Harrisburg, PA 17105-3608
0 PLC ± -	1 PLC ± -	CHK S. SHUEY	02-25-05	
2 PLC ± -	3 PLC ± -	APRD M. WALMSLEY	02-25-05	NAME RECEPTACLE ASSEMBLY, SHIELDED, VERTICAL, .050 SERIES AMPLIMITE
4 PLC ± -	ANGLES ± -	FINISH	FINISH	
MATERIAL	FINISH	PRODUCT SPEC 108-1228	APPLICATION SPEC 114-40029	SIZE CAGE CODE DRAWING NO
		WEIGHT		A1 00779 ©=5786136
		CUSTOMER DRAWING	SCALE 4:1	SHEET 1 OF 1 REV B