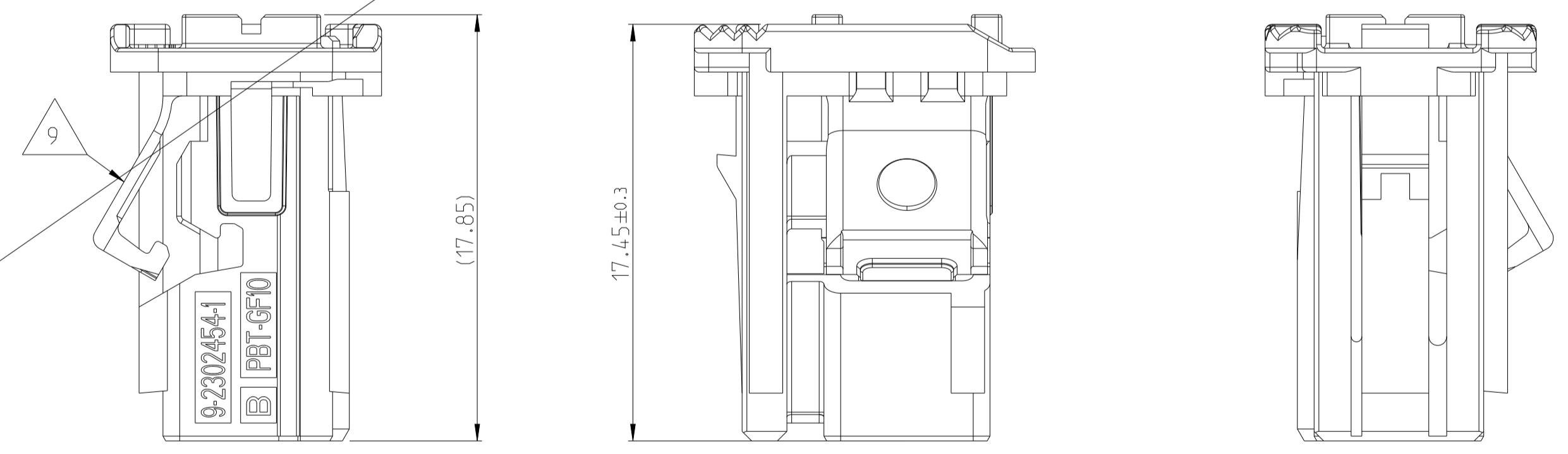
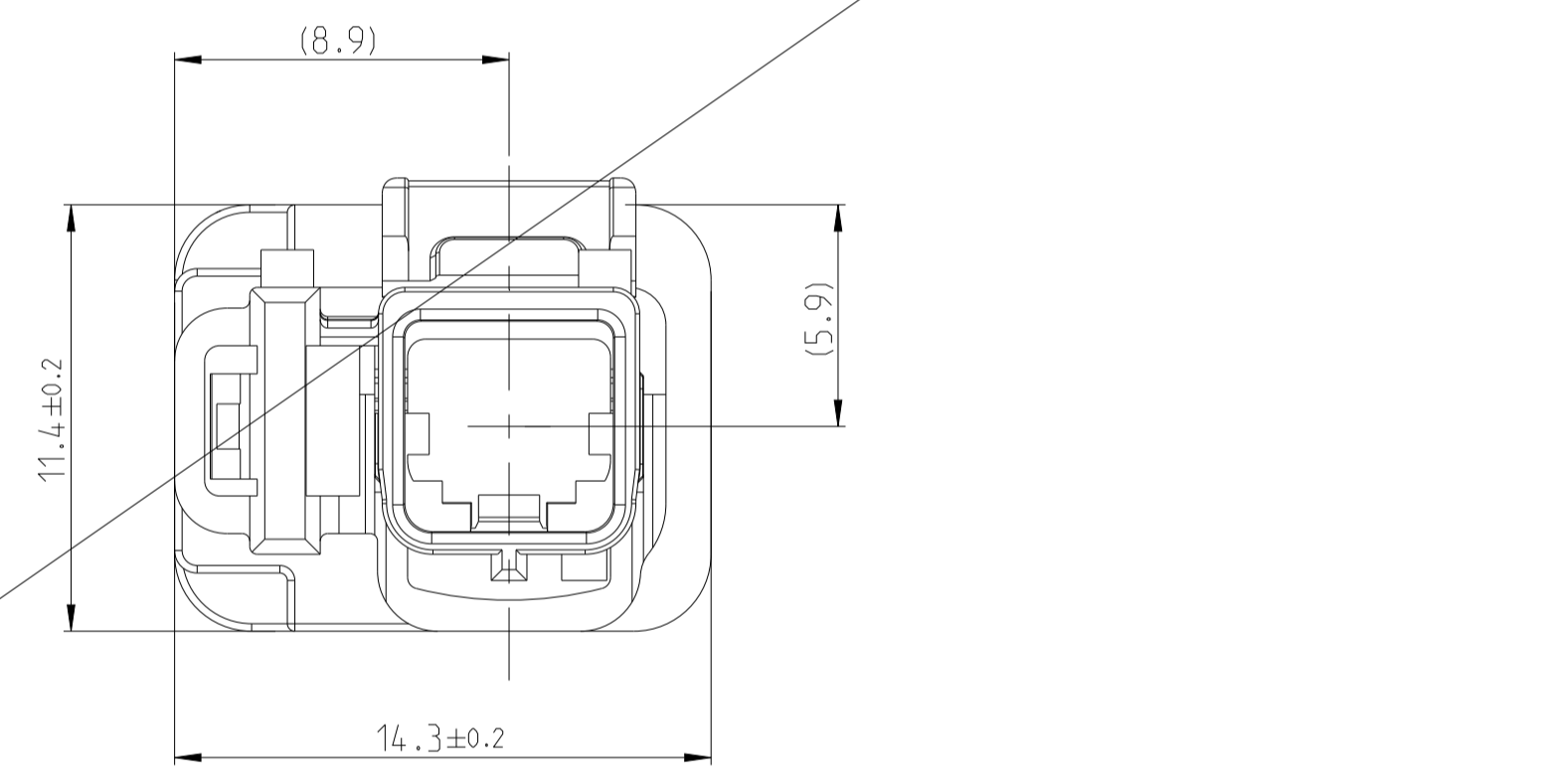
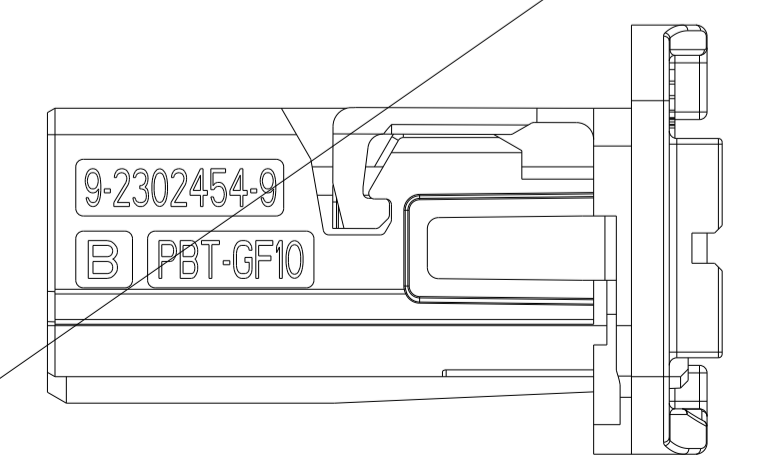


- Notizen / NOTES
- 9-2302454-1 Kodierung A wie dargestellt
9-2302454-1 CODING A AS SHOWN
 - Passend zu Stiftwanne nach TE-Schnittstellenzeichnung 208-18006
MATING TO PINHEADER ACC. TE-INTERFACE DRAWING 208-18006
 - Kammer fuer MATEnet 2Pos. NanoMQS female Insert module TE PN 0-2302450-X
CAVITY FOR MATEnet 2Pos. NanoMQS FEMALE INSERT MODULE TE PN 0-2302450-X
 - TE-Logo
TE-LOGO
 - TE-Teile Nummer
TE-PART NUMBER
 - Revisionsstand
PART REVISION
 - Kontaktkammernummer
CONTACT CAVITY NUMBER
 - Produktionsdatum
PRODUKTION DATE
 - Anlieferungszustand: 2. Kontaktsicherung geöffnet
DELIVERY CONDITION: RETAINER IN OPEN POSITION
 - Verpackung: Schueffgut im Beutel im Karton
PACKAGING: LOOSE PIECES IN BAG IN BOX



2. Kontaktsicherung geschlossen
RETAINER CLOSED



OBSOLETE

B-MUSTER PROTOTYPE B-SAMPLES

CODE	PART No.	Rev.	DESCRIPTION	MATERIAL	WEIGHT [g]	COLOUR similar RAL
Z	9-2302454-9	B	Single-Port MATEnet Frame, Code Z	PBT-GF10	0.83	water-blue 5021
K	9-2302454-8	B	Single-Port MATEnet Frame, Code K	PBT-GF10	0.87	curry yellow 1027
J	9-2302454-7	B	Single-Port MATEnet Frame, Code J	PBT-GF10	0.87	beige 1001
H	9-2302454-6	B	Single-Port MATEnet Frame, Code H	PBT-GF10	0.87	heather violet 4003
E	9-2302454-5	B	Single-Port MATEnet Frame, Code E	PBT-GF10 0% regrind	0.87	green 6018
D	9-2302454-4	B	Single-Port MATEnet Frame, Code D	PBT-GF10	0.87	claret violet 4004
C	9-2302454-3	B	Single-Port MATEnet Frame, Code C	PBT-GF10	0.87	blue 5012
B	9-2302454-2	B	Single-Port MATEnet Frame, Code B	PBT-GF10	0.87	white 9010
A	9-2302454-1	B	Single-Port MATEnet Frame, Code A	PBT-GF10	0.87	black 9011

THIS DRAWING IS A CONTROLLED DOCUMENT.		DWG: J.KIEBWEITER 16AUG2016		TE Connectivity	
DIMENSIONS: MASSENHEITEN: mm		CHK: R.WUERKER 16AUG2016			
TOLERANCES UNLESS OTHERWISE SPECIFIED: ALLE DIMENSIONEN		APVD: A.KETTLER 29AUG2016		NAME: Single-Port MATEnet Frame SINGLE-PORT MATEnet FRAME	
0 PLC ±0.2		PRODUCT SPEC: 108-94568		SIZE: A1	
1 PLC ±		APPLICATION SPEC: 114-94431		CAGE CODE: 00779	
2 PLC ±		VERARBEITUNGSPEC: 114-94431		DRAWING NO: 2302454	
3 PLC ±		FINISCHBEREICH/FARBEN		RESTRICTED TO: NUR FÜR	
4 PLC ±		WEIGHT: see table		REV: B3	
MATERIAL: see table		CUSTOMER DRAWING		SCALE: 1:1	
				SHEET: 2 OF 2	