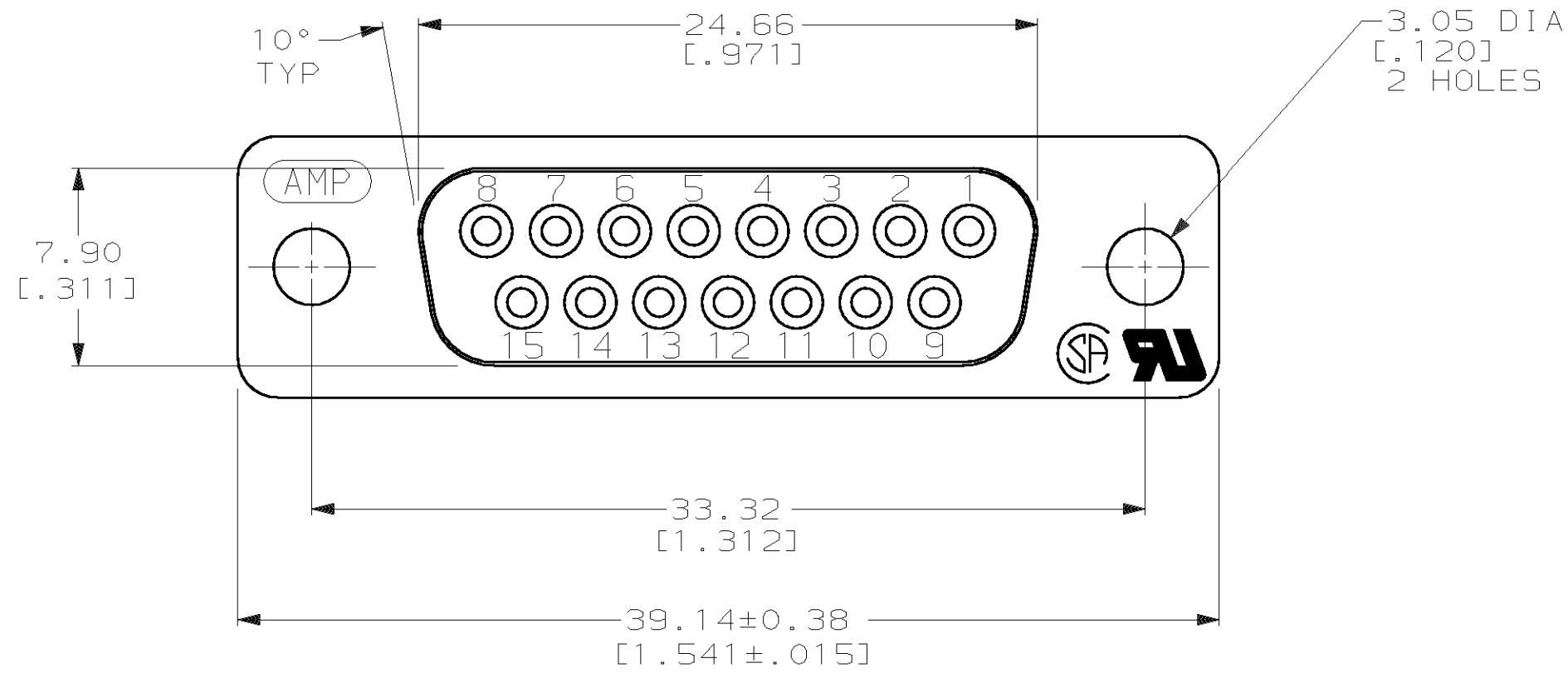
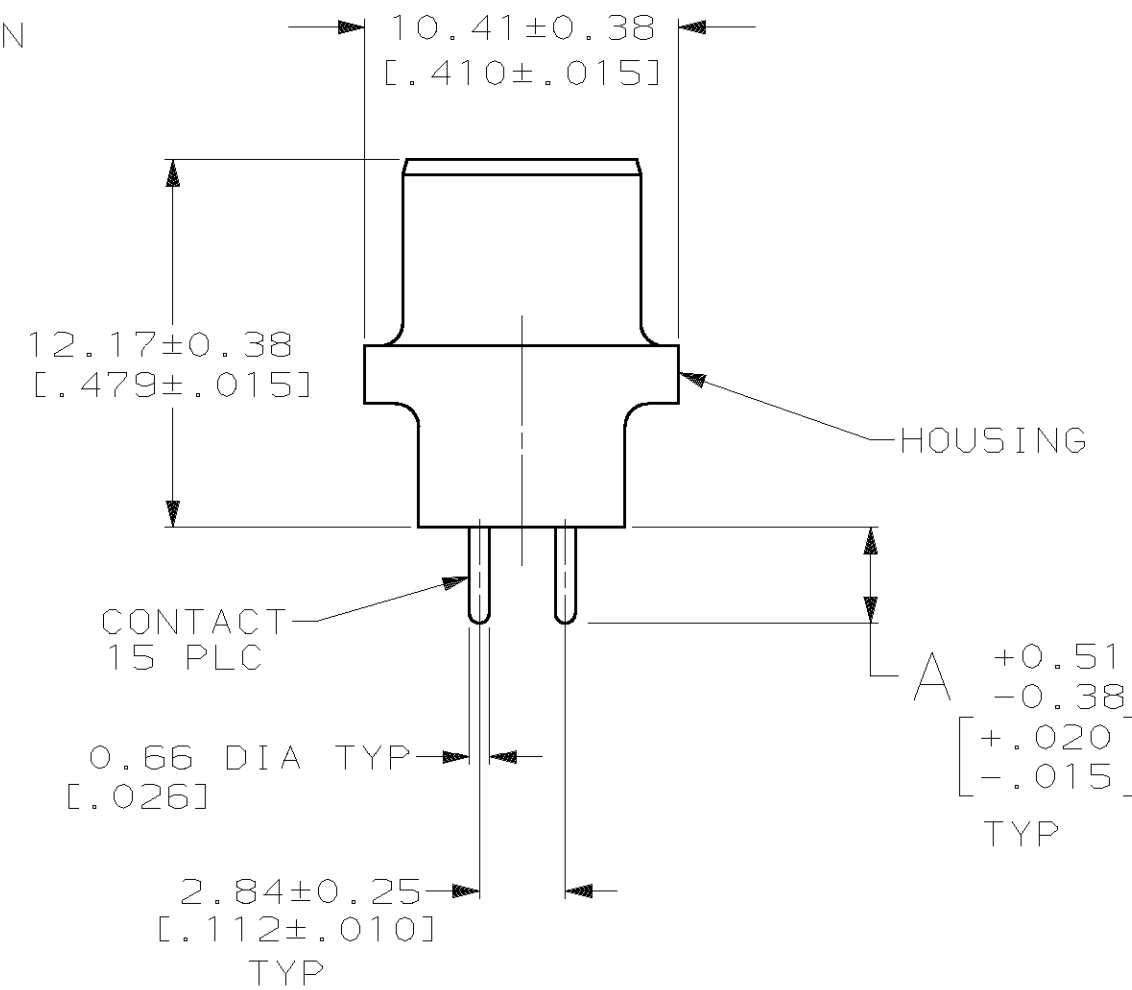
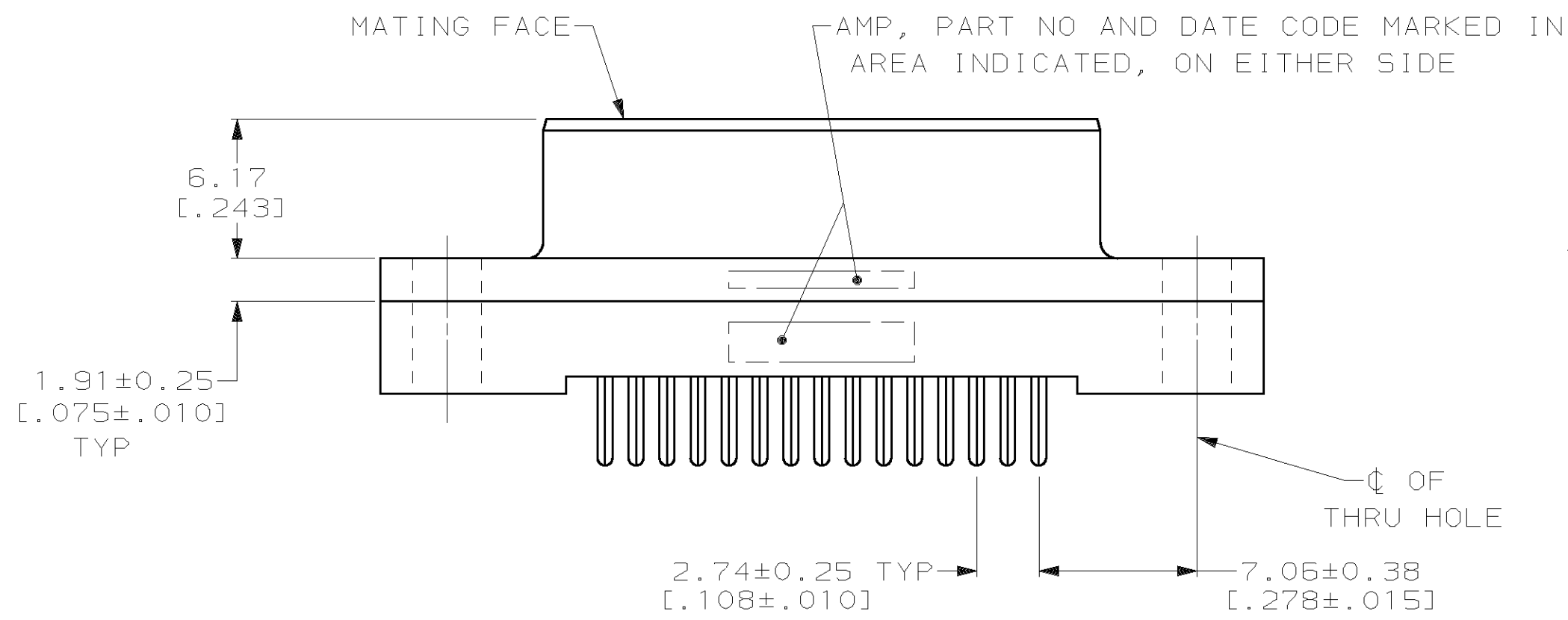


THIS DRAWING IS UNPUBLISHED. RELEASED FOR PUBLICATION
 © COPYRIGHT 19 BY AMP INCORPORATED. ALL INTERNATIONAL RIGHTS RESERVED.

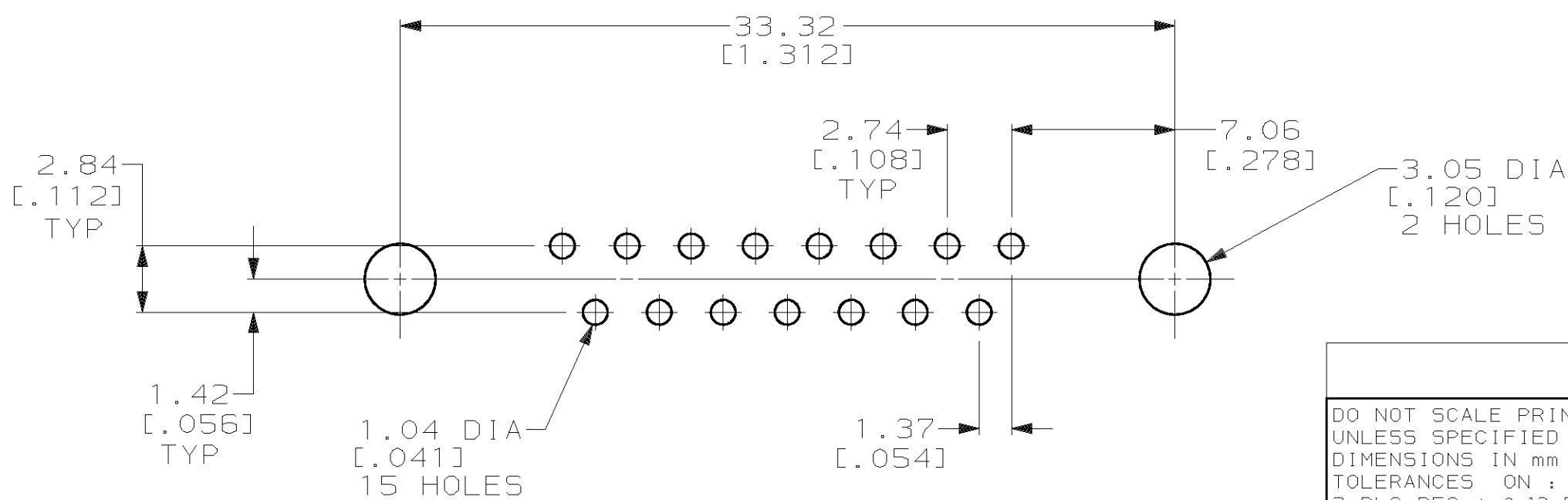
LOC	DIST	P	F	ZONE	LTR	REVISIONS	DATE	APPD
GP	00				G	REVISED PER EC 0513-0017-03	12MAY03	JG



- ① HOUSING: BLACK POLYESTER, UL 94V-0 RATED; CONTACTS: PHOSPHOR BRONZE PER QQ-B-750.
- ② GOLD PLATING PER MIL-G-45204, TIN PLATING PER MIL-T-10727, NICKEL PLATING PER QQ-N-290.
- ③ GOLD FLASH FOR A LENGTH OF 2.54[.100] MIN FROM MATING END, 2.54µm[.000100] MIN TIN OR TIN-LEAD FOR A LENGTH OF DIMENSION A FROM OPPOSITE END, ALL OVER 1.27µm[.000050] MIN NICKEL.
- ④ 0.76µm[.000030] MIN GOLD FOR A LENGTH OF 2.54[.100] MIN FROM MATING END, 2.54µm[.000100] MIN TIN OR TIN-LEAD FOR A LENGTH OF DIMENSION A FROM OPPOSITE END, ALL OVER 1.27µm[.000050] MIN NICKEL.



OBSOLETE	6.35 [0.250]	④	207827-8
OBSOLETE	6.35 [0.250]	③	207827-7
OBSOLETE	4.32 [0.170]	④	207827-6
OBSOLETE	4.32 [0.170]	③	207827-5
	3.18 [0.125]	④	207827-4
	3.18 [0.125]	③	207827-3



RECOMMENDED PC BOARD MOUNTING DIMENSIONS

DO NOT SCALE PRINT. UNLESS SPECIFIED DIMENSIONS IN mm [INCHES] TOLERANCES ON: 2 PLC DEC ± 0.13 [0.005] 3 PLC DEC ± - ANGLES ± 2°	DR 11-16-89 J McCLINTON CHK 2-1-90 R.STONE APPD 2-2-90 S.SCHIEFFERLY APPD 2-2-90 C.ROHDE PRODUCT SPEC 108-40025	AMP INCORPORATED Harrisburg, Pa. 17105	
FINISH ② CONTACT: SEE TABLE	APPLICATION SPEC -	SIZE C CAGE CODE 00779	NAME RECEPTACLE ASSEMBLY, SIZE 2, 15 POSN, VERTICAL, AMPLIMITE® HD-20
	WEIGHT -	SCALE 4:1	DRAWING NO 207827
			SHEET 1 OF 1