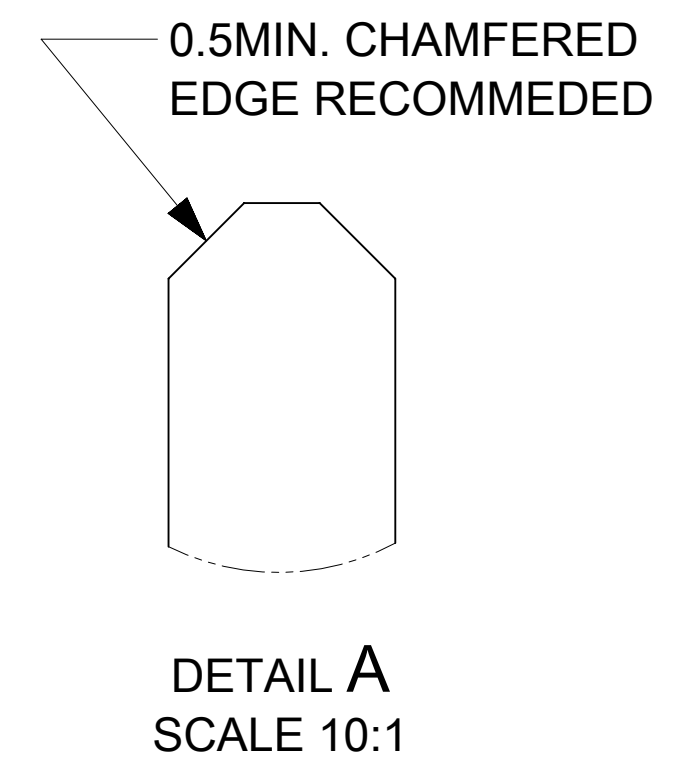
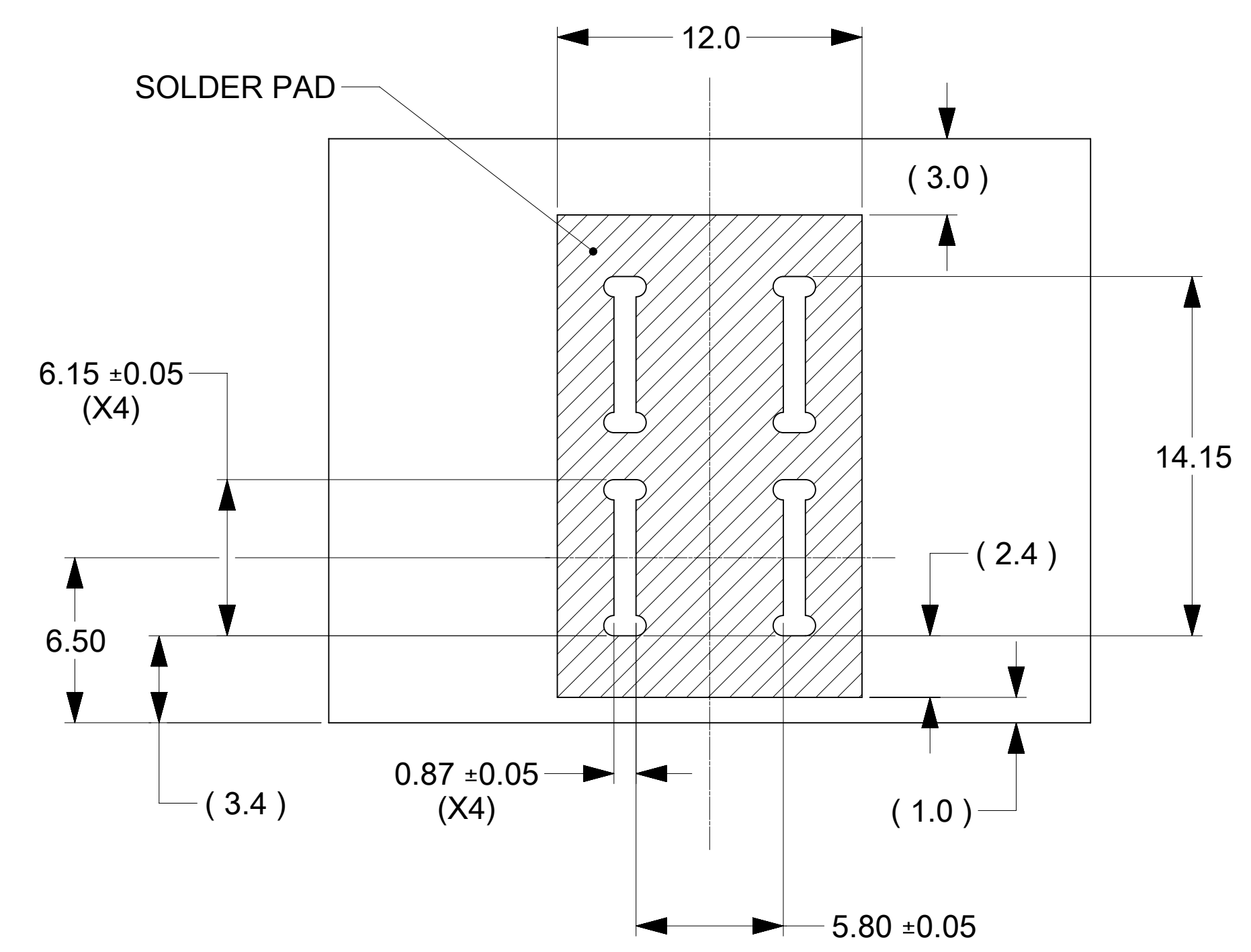
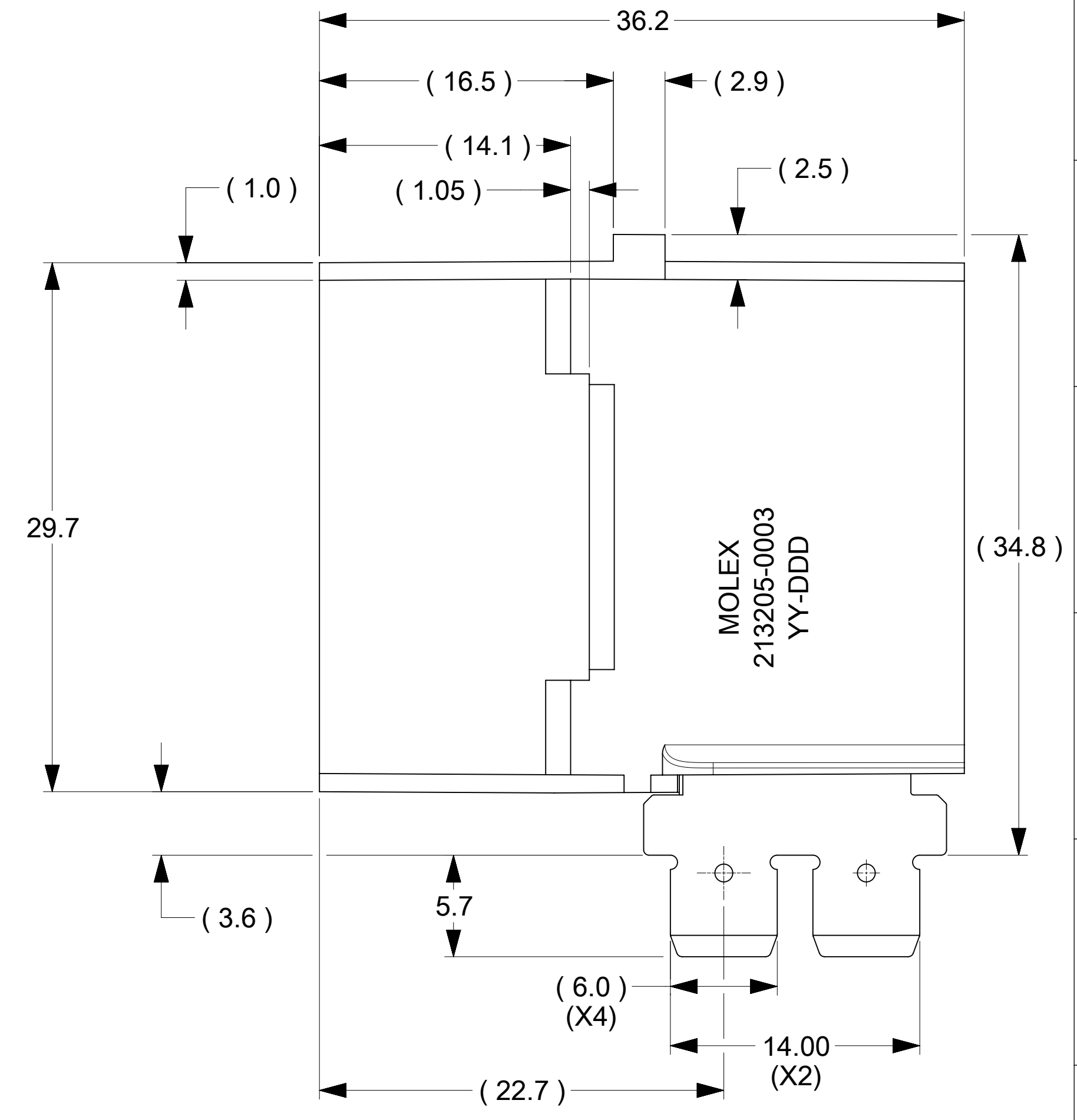
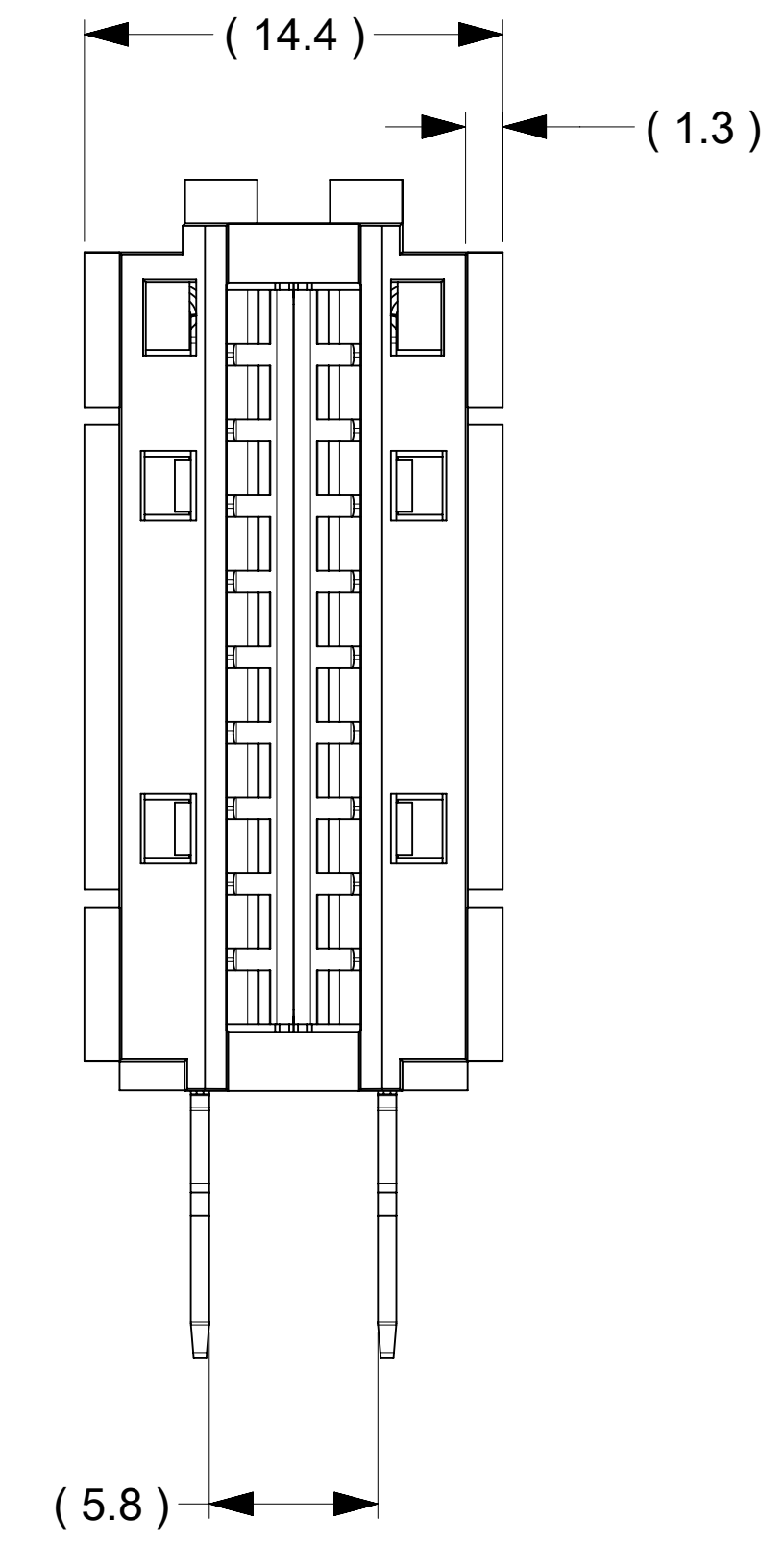


PCB, BUSBAR
IN THESE VIEWS ARE SHOWN FOR REFERENCE ONLY



- NOTES:
- MATERIALS:
 - HOUSING BODY: POLYMER. UL94V-0; BLACK.
 - TERMINALS: COPPER ALLOY.
 - RIVET/CLIP: COPPER ALLOY.
 - PLATING:
 - CONTACT AREAS: 3.18 MIN MICRON SILVER, OVER 1.27 MIN. MICRON NICKEL.
 - TAB AREAS: 3.18 MIN. MICRON TIN, OVER 1.27 MIN. MICRON NICKEL.
 - REST: 1.27 MIN. MICRON NICKEL OVERALL.
 - LUBRICATION: LUBED IN CONTACT AREA.
 - REFERENCE DOCUMENT: 2131910001-PS, 2131910001-AS
 - MODULE ASSEMBLY IS RoHS COMPLIANT.
 - FINAL ASSEMBLY TO BE PACKAGED AND LABELED PER PACKAGING DRAWING NUMBER 2131910003-PK.
 - MATED BUSBAR SHOULD BE PLATED WITH SILVER OVER NICKEL.



RECOMMENDED PCB LAYOUT
(THICKNESS 4.8mm MAX.)

FUNCTIONAL SYMBOLS		THIS DRAWING CONTAINS INFORMATION THAT IS PROPRIETARY TO MOLEX ELECTRONIC TECHNOLOGIES, LLC AND SHOULD NOT BE USED WITHOUT WRITTEN PERMISSION		CURRENT REV DESC:	
$F_A = 0$	mm	SCALE	5:1		
$F_C = 0$	GENERAL TOLERANCES (UNLESS SPECIFIED)				
$F_P = 0$	ANGULAR TOL	±	°		
DIVISIONAL SYMBOLS	4 PLACES	±			
	3 PLACES	±			
	2 PLACES	±	0.15		
	1 PLACE	±	0.25		
	0 PLACES	±			
DRAFT WHERE APPLICABLE MUST REMAIN WITHIN DIMENSIONS		THIRD ANGLE PROJECTION		DRAWING SERIES	
		D-SIZE		213205	
EC NO: 689515		DRWN: TOMLU		2021/12/17	
CHK'D: BPISZCZOR		APPR: BPISZCZOR		2022/03/07	
INITIAL REVISION:		DRWN: TOMLU		2021/04/19	
APPR: BPISZCZOR		APPR: BPISZCZOR		2022/03/07	
DOCUMENT NUMBER		DOC TYPE		DOC PART	
2132050003-SD		PSD		000	
MATERIAL NUMBER		CUSTOMER		SHEET NUMBER	
2132050003				1 OF 1	