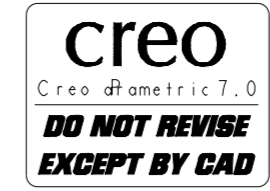
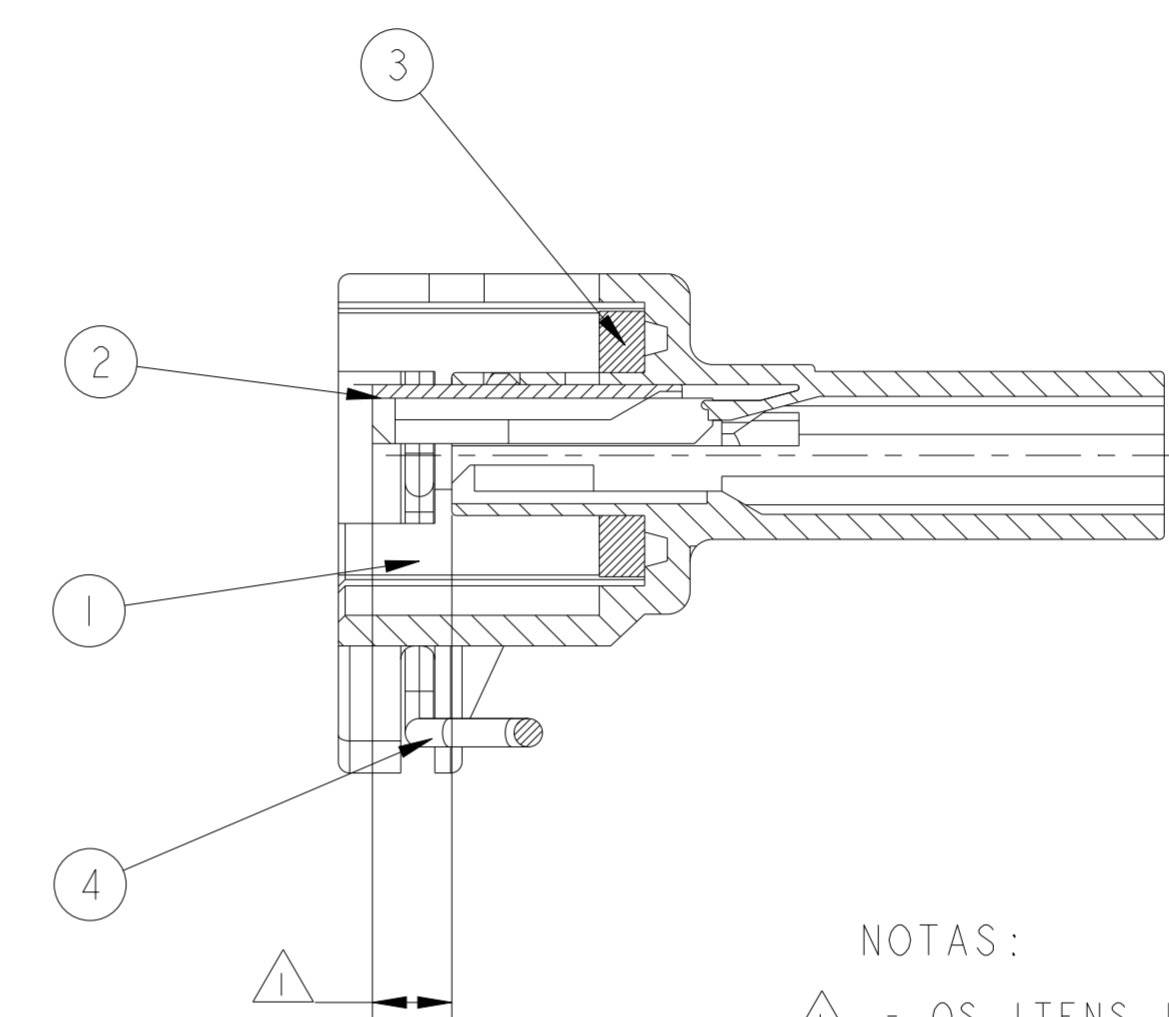
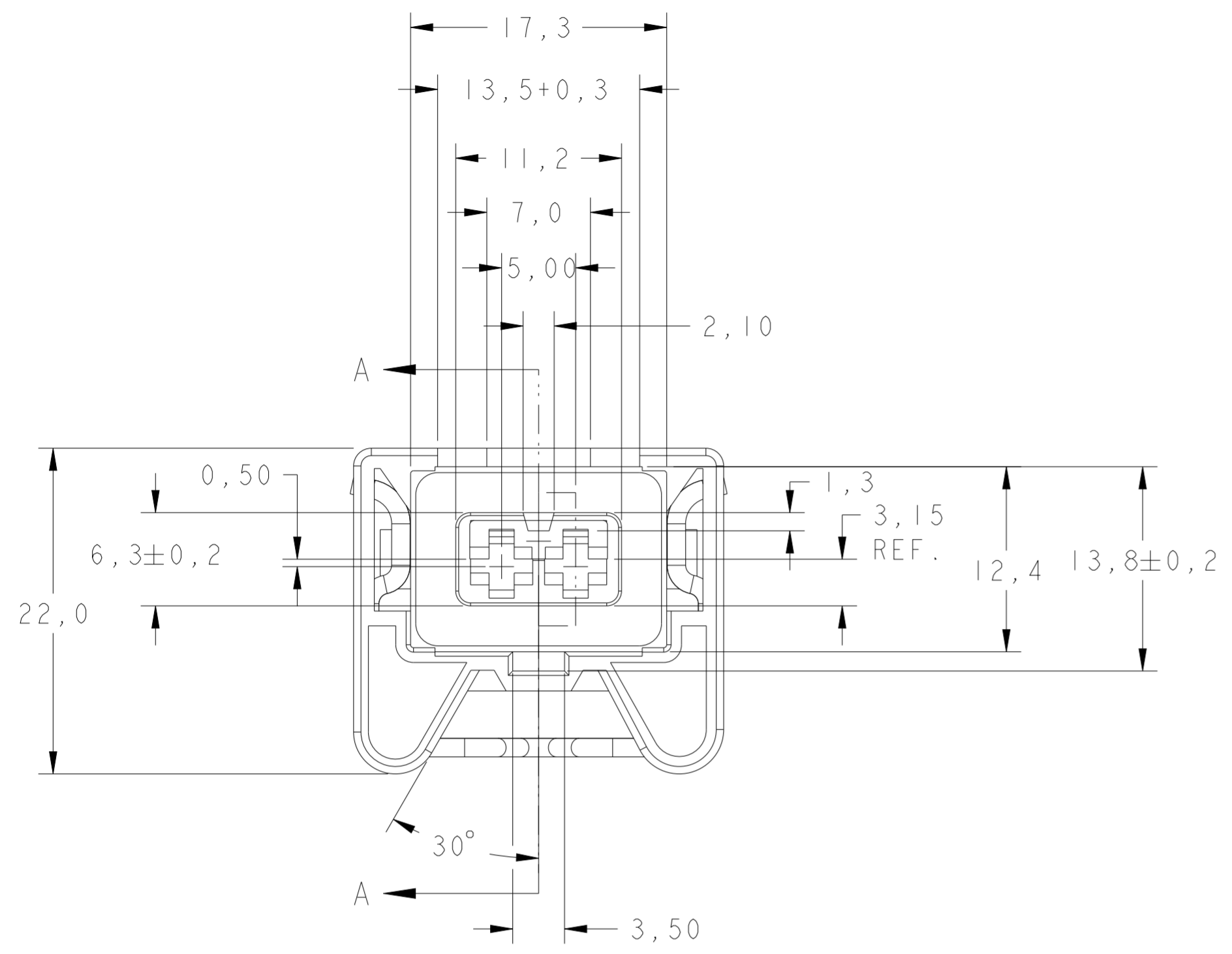


THIS DRAWING IS UNPUBLISHED. RELEASED FOR PUBLICATION 20  
 © COPYRIGHT 20 ALL RIGHTS RESERVED.



REVISIONS				
P	LTR	DESCRIPTION	DATE	APVD
H		REVISED RAWING ECO-15-011606	10AUG2015	NCL GOJ
J		REVISED DRAWING ECO-15-016678	24NOV2015	NCL GOJ
J1		REVISED PER ECN-22-144268	13JUN2022	AP MT
J2		REVISED BY ECN-22-187278	29NOV2022	MJI WTS

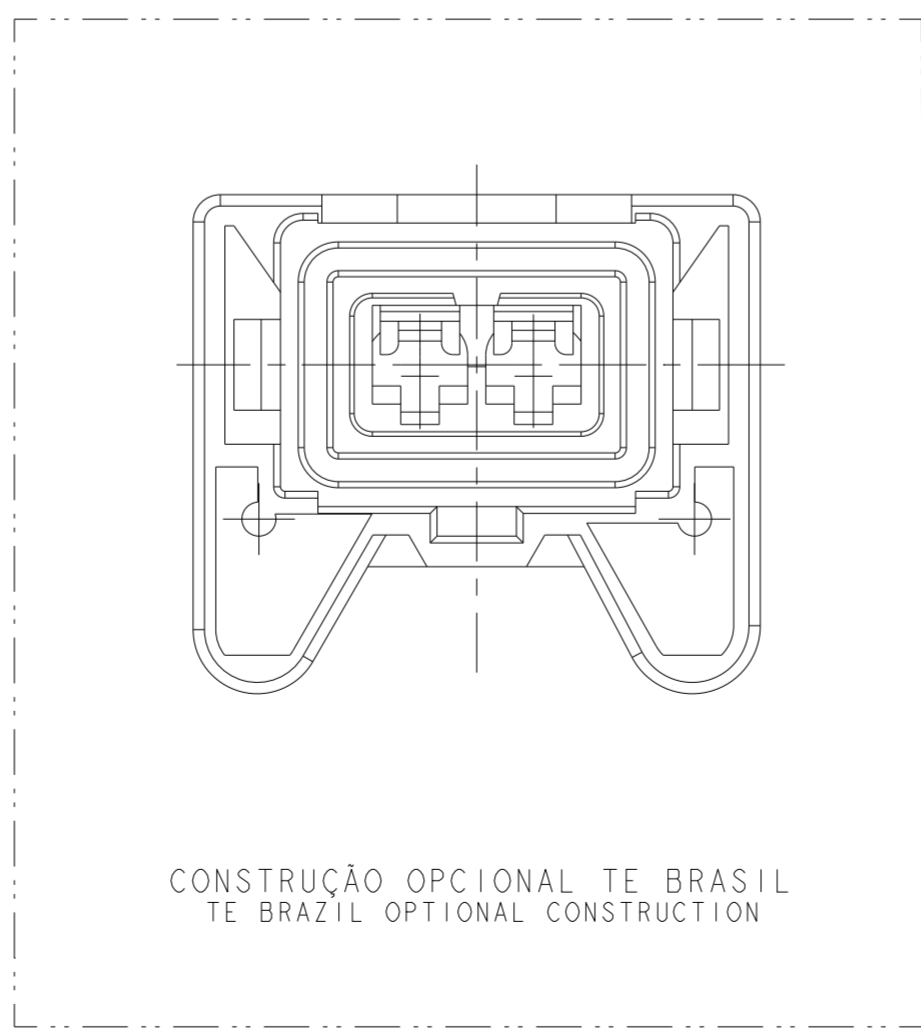
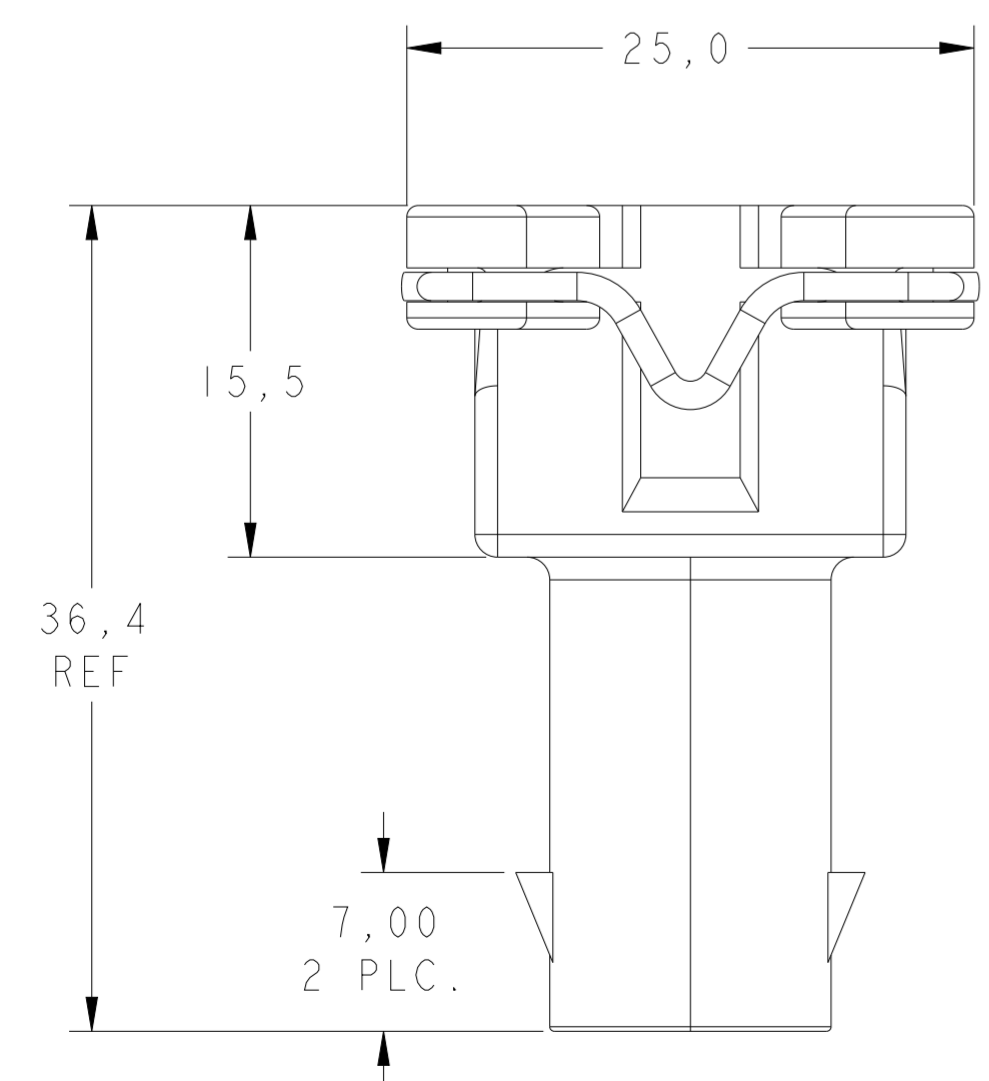


SECTION A-A

NOTAS:

- ⚠ - OS ITENS 1 E 2 DEVERÃO RESPEITAR A POSIÇÃO DE PRÉ-MONTAGEM, COMO SERÃO FORNECIDOS.
- ⚠ - THE ITENS 1 AND 2 MUST BE SUPPLIED ACCORDING WITH PRE ASSEMBLY POSITION.
- 2 - CAVIDADE PARA TERMINAL JR. POWER TIMER COM "WIRE SEAL".
- 2 - CAVITY STANDAD FOR JPT TERMINAL WITH "WIRE SEAL".

GRAVAÇÃO MARKING
LOGOTIPO TE
TE LOGO
CÓDIGO PAÍS PRODUTOR
MANUFACTURER COUNTRY CODE
NOMENCLATURA MATERIAL
MATERIAL NOMENCLATURE
NÚMERO COMPONENTE TE
TE COMPONENT NUMBER
NÚMERO CAVIDADE
CAVITY NUMBER
IDENTIFICAÇÃO CIRCUITO
CIRCUIT IDENTIFICATION
LOGOTIPO CLIENTE
CUSTOMER LOGO
NÚMERO PEÇA CLIENTE
CUSTOMER PART NUMBER
PAÍS PRODUTOR
MANUFACTURER COUNTRY
REV+ LETRA REV.DA PEÇA
REV.+ PART REV.LETTER



ITEM	DESCRIPTION	MATERIAL	FINISH
1	HSG. JR. POWER TIMER	P.B.T. +30% F.V.	AMARELO
1	HSG. JR. POWER TIMER	P.B.T. +30% F.V.	BRANCO
1	HSG. JR. POWER TIMER	P.B.T. +30% F.V.	AZUL
1	HSG. JR. POWER TIMER	P.B.T. +30% F.V.	CINZA CLARO
1	HSG. JR. POWER TIMER	P.B.T. +30% F.V.	VERDE
1	HSG. JR. POWER TIMER	P.B.T. +30% F.V.	MARROM
4	SPRING	ARAME DIN 2076 Ø1,25	
3	RUBBER SEAL	SILICONE	LARANJA
2	SPACER	P.B.T.	VIOLETA
1	HSG JR. POWER TIMER	P.B.T. +30% F.V.	PRETO

THIS DRAWING IS A CONTROLLED DOCUMENT.

DWN: E.J.G.S. 27OCT2003  
 CHK: P.P.FARIA 27OCT2003  
 APVD: 27OCT2003

**STE** TE Connectivity

NAME: HSG. ASSY, 2 POSN, JR. POWER TIMER.

SIZE: A2 CAGE CODE: 00779 DRAWING NO: 444496 RESTRICTED TO: -

MATERIAL: SEE TABLE TOLERANCES UNLESS OTHERWISE SPECIFIED: 0 PLC ±, 1 PLC ±0,3, 2 PLC ±0,1, 3 PLC ±, 4 PLC ±, ANGLES ±°, FINISH: SEE TABLE

Customer Drawing SCALE: 2:1 SHEET: 1 OF 1 REV: J2