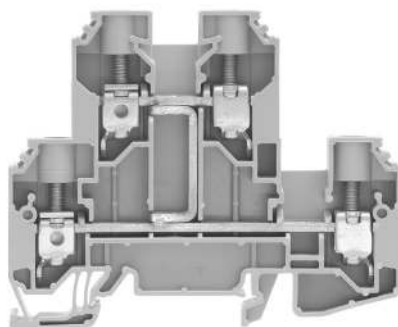
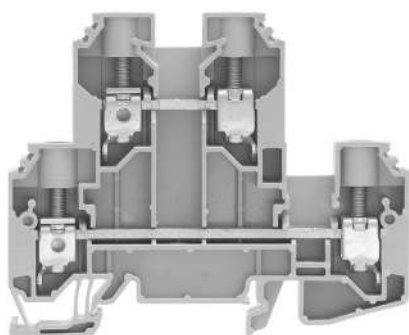


Double Level Terminals WDK 10/WDK 10 V

NEW



Weidmuller's new WDK 10 dual-level terminal is designed to reduce cabinet space by 50% and is ideally suited for applications where there is limited panel space for power distribution terminal installations. Two configuration types are available, Dual-level (WDK 10) and a Dual-level bus (WDK 10 V) that commons 4-wires to one terminal. With a 10mm width, the new WDK 10 offers one of the highest wiring densities among screw terminals for power distribution applications requiring 6AWG conductors.

Key features:

- Vibration-proof and maintenance-free "self-locking" screw clamp
- Accepts insulated screw-down jumpers for both levels
- UL/CSA rated for 600V/64A/18-6AWG

Weidmuller, Canada

10 Spy Court
Markham, Ontario L3R 5H6
Telephone: (800) 268-4080
Facsimile: (877) 300-5635
Email: info1@weidmuller.ca
Website: www.weidmuller.ca

Weidmuller, Mexico

Bldv. Hermanos Serdán 698
Col. San Rafael Oriente
Puebla, Puebla, Mexico
C.P. 72029
Telephone: 01 222 2686267
Facsimile: 01 222 2686219
Email: clientes@weidmuller.com.mx
Website: www.weidmuller.com.mx

Weidmuller, United States

821 Southlake Blvd.
Richmond, Virginia 23236
Telephone: (800) 849-9343
Facsimile: (804) 379-2593
Email: info@weidmuller.com
Website: www.weidmuller.com

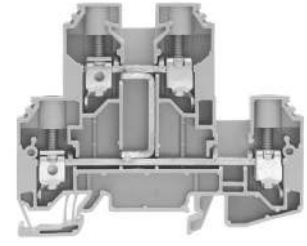
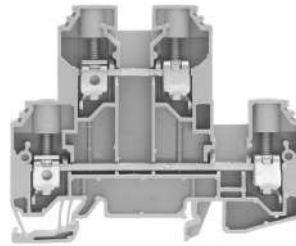
Weidmüller 

WDK 10

10mm²

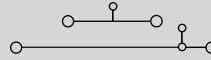
WDK 10 V

10mm²

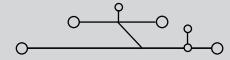


Width/Length/Height with TS35x7.5 mm
 Max. current / max. cond. cross-section A / mm²
 Max. clamping range mm²

9.9 x 85 x 69.5
57 / 10
0.5 ... 10



9.9 x 85 x 69.5
57 / 10
0.5 ... 10



Technical data

Rated data	
Rated voltage	V
Rated current	A
Rated cross-section	mm ²
Rated impulse voltage / Pollution severity	kV/-
Gauge to IEC 60947-1 / UL94 Flammability class	
Approvals	

IEC	UL	CSA	EN 60079
800	600	600	
57	64	64	
10	AWG18...6	AWG18...6	
	6 / 3		
	A3 / V-0		

IEC	UL	CSA	EN 60079
800	600	600	
57	49	49	
10	AWG18...6	AWG18...6	
	6 / 3		
	A3 / V-0		

Clamped Conductors (H05V/H07V)	
Solid / stranded	mm ²
Flexible / stranded wire with end ferrules	mm ²
Tightening torque range (clamping screw)	
Stripping length / Blade size (screwdriver)	mm ²

Rated connection	
1.5 ... 16 / 1.5 ... 16	
1.5 ... 16 / 1.5 ... 16	
1.5 ... 2.4 (M4)	
12 / 1.0 x 5.5	

Rated connection	
1.5 ... 16 / 1.5 ... 16	
1.5 ... 16 / 1.5 ... 16	
1.5 ... 2.4 (M4)	
12 / 1.0 x 5.5	

2 conductors with same cross-section (H05V/H07V)	
Solid / stranded	mm ²
Flexible / Stranded wire with end ferrules	mm ²

1...6	
1...6 / 1...6	

1...6	
1...6 / 1...6	

Note

Top tier rated: 600V / 18-10AWG / 40A

Top tier rated: 600V / 18-10AWG / 40A


Ordering data

Version	
	Dark beige Wemid
	Blue Wemid

Type	Qty	Part No.
WDK 10	50	1186740000
WDK 10 BL	50	1186750000

Type	Qty	Part No.
WDK 10 V	50	1186770000
WDK 10 V BL	50	1186780000

Accessories

Screwable cross-connection	
	2-pole
	3-pole
	4-pole
	10-pole

Type	Current (A)	Qty	Part No.
WQV 10/2	57	50	1052560000
WQV 10/3	57	50	1054960000
WQV 10/4	57	50	1055060000
WQV 10/10	57	20	1052460000

Type	Current (A)	Qty	Part No.
WQV 10/2	57	50	1052560000
WQV 10/3	57	50	1054960000
WQV 10/4	57	50	1055060000
WQV 10/10	57	20	1052460000

End plate / partition	
	Dark beige Wemid
	Blue Wemid

Type	Width (mm)	Qty	Part No.
WAP WDK10	1.5	20	1186720000
WAP WDK10 BL	1.5	20	1186730000

Type	Width (mm)	Qty	Part No.
WAP WDK10	1.5	20	1186720000
WAP WDK10 BL	1.5	20	1186730000

End bracket	
	WEW 35/2

Type	Width (mm)	Qty	Part No.
WEW 35/2	8	100	1061200000

Type	Width (mm)	Qty	Part No.
WEW 35/2	8	100	1061200000

Cover	
	With lightning flash symbol
	blank

Type	Qty	Part No.
WAD 8 MC B GE/SW	50	1120470000
WAD 8 MC NE WS	50	1112940000

Type	Qty	Part No.
WAD 8 MC B GE/SW	50	1120470000
WAD 8 MC NE WS	50	1112940000

Marking systems	
	Marking tags

Type	Part No.
WS 8/5 / DEK 5/6	1640750000/ 1609820000

Type	Part No.
WS 8/5 / DEK 5/6	1640750000/ 1609820000

Screwdriver	
	SDI 0 x 5.5 x 150

Type	Part No.
SDI 0 x 5.5 x 150	9008350000

Type	Part No.
SDI 0 x 5.5 x 150	9008350000