

F

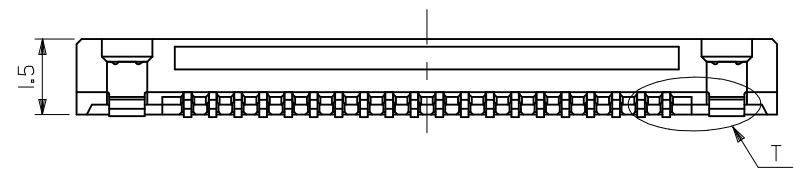
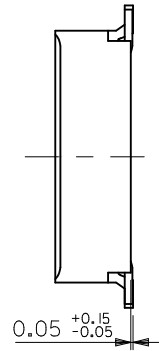
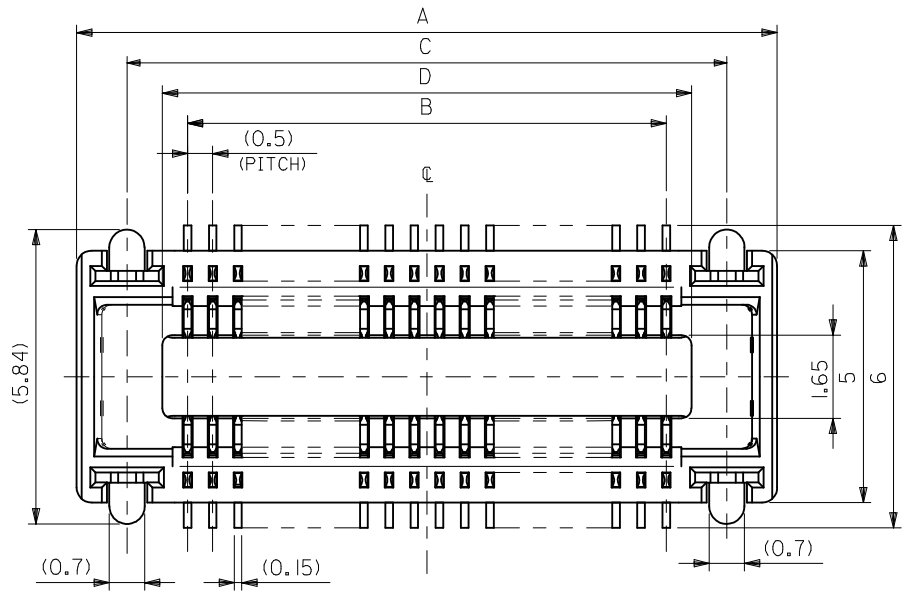
E

D

C

B

A



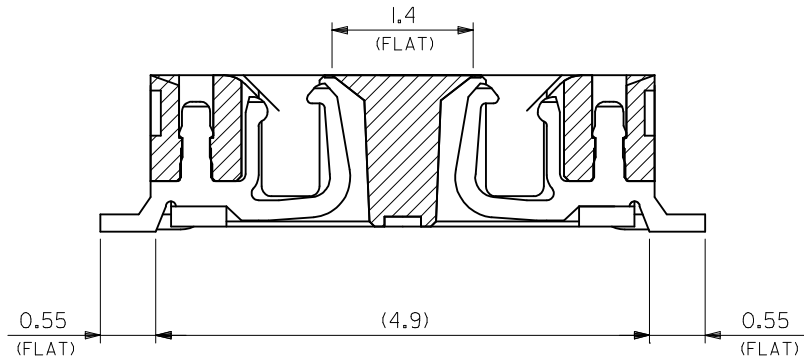
注記
NOTES:

1. 材質
MATERIAL
ハウジング: LCP (液晶ポリマー)、ガラス充填、黒色、UL 94V-0
HOUSING: LCP (LIQUID CRYSTAL POLYMER), GLASS FILLED, BLACK, UL 94V-0
ターミナル: 銅合金 (t=0.15)
TERMINAL: COPPER ALLOY (t=0.15)
ネイル: 銅合金 (t=0.2)
NAIL: COPPER ALLOY (t=0.2)
2. メッキ仕様
PLATING
ターミナル
TERMINAL
接点部: 金メッキ 0.25マイクロメートル以上
CONTACT AREA: GOLD 0.25 MICROMETER MINIMUM
半田付け部: 金メッキ 0.4マイクロメートル以下
SOLDER TAIL AREA: GOLD 0.4 MICROMETER MAXIMUM
下地メッキ: ニッケルメッキ 1.5マイクロメートル以上
UNDER PLATING: NICKEL 1.5 MICROMETER MINIMUM
ネイル
NAIL
半田メッキ 3.0マイクロメートル以上
Sn-Pb 3.0 MICROMETER MINIMUM
下地メッキ: 銅メッキ 1.0マイクロメートル以上
UNDER PLATING: Cu 1.0 MICROMETER MINIMUM
3. テール平坦度は、0.08ミリメートル以下。テールとネイルを併せた平坦度は、0.1ミリメートル以下。
TAIL COPLANARITY TO BE 0.08 MAXIMUM. TAILS AND NAILS COPLANARITY TO BE 0.1 MAXIMUM.
4. 嵌合相手: 55299-**** (H=3mm)
: 55201-****, 55650-**** (H=2mm)
MATED CONN.: 55299-**** (H=3mm)
: 55201-****, 55650-**** (H=2mm)

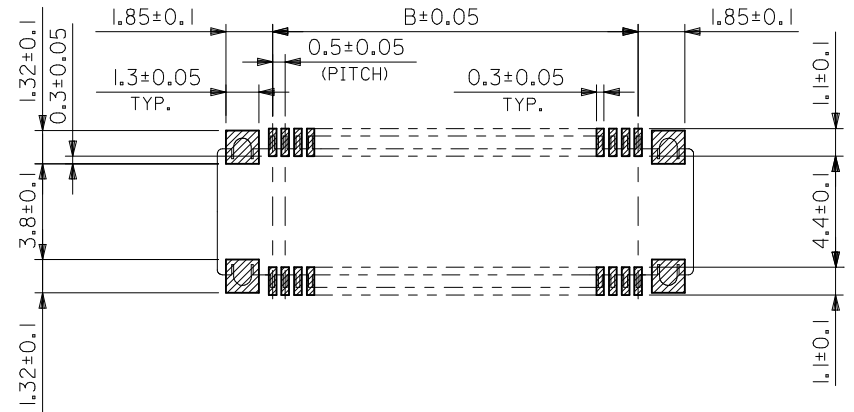
40.5	41.9	39.5	43.9	54363-1608	54363-1601	160	—
35.5	36.9	34.5	38.9	54363-1408	54363-1401	140	○
30.5	31.9	29.5	33.9	54363-1208	54363-1201	120	○
28	29.4	27	31.4	54363-1108	54363-1101	110	○
25.5	26.9	24.5	28.9	54363-1008	54363-1001	100	○
23	24.4	22	26.4	54363-0908	54363-0901	90	—
20.5	21.9	19.5	23.9	54363-0808	54363-0801	80	○
18	19.4	17	21.4	54363-0708	54363-0701	70	○
15.5	16.9	14.5	18.9	54363-0608	54363-0601	60	○
13	14.4	12	16.4	54363-0508	54363-0501	50	○
10.5	11.9	9.5	13.9	54363-0408	54363-0401	40	○
8	9.4	7	11.4	54363-0308	54363-0301	30	○
5.5	6.9	4.5	8.9	54363-0208	54363-0201	20	○
D	C	B	A	エンボス梱包品 EMBOSSED TAPE PACKAGING	製品番号 MATERIAL NO.	極数 CIRCUITS	量産対応 AVAILABLE

REVISED EC NO.: J2016-0601 DRWN: JFURUKAWA 2015/12/08 CHKD: TASAKAWA 2015/12/08 APPR: KMORIKAWA 2015/12/16	GENERAL TOLERANCES (UNLESS SPECIFIED)		DIMENSION STYLE		SCALE	DESIGN UNITS		THIRD ANGLE PROJECTION 0.5 MM PITCH B/B CONN. REC. HSG ASSY (H=2,3MM) WITH FITTING NAIL molex SD-54363-009 SHEET NO. 1 OF 2
	0.25 UNDER UNDER ±0.03		MM ONLY		10:1	METRIC		
	0.25 OVER 0.5 UNDER ±0.05		DRAWN BY DATE		TITLE			
	0.5 OVER 1.0 UNDER ±0.1		H. SHIMOYAMA 1998/04/25					
	1.0 OVER 10 UNDER ±0.2		CHECKED BY DATE					
10 OVER 30 UNDER ±0.25		M. SASAO 1998/04/25		APPROVED BY DATE				
30 OVER ±0.3		MATERIAL NO.		DOCUMENT NO.				
ANGULAR ±3 °		SEE CHART						
DRAFT WHERE APPLICABLE MUST REMAIN WITHIN DIMENSIONS		SIZE A3		THIS DRAWING CONTAINS INFORMATION THAT IS PROPRIETARY TO MOLEX ELECTRONIC TECHNOLOGIES, LLC AND SHOULD NOT BE USED WITHOUT WRITTEN PERMISSION				

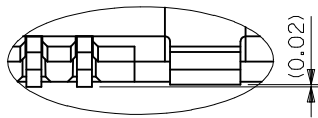
10 9 8 7 6 5 4 3 2 1



製品断面図 (半田付け部、吸着面寸法)
 DETAIL FOR SOLDERING AND VACUUM AREA



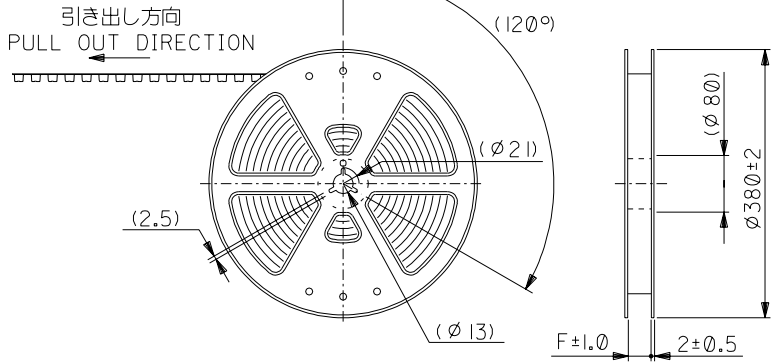
推奨基板寸法
 RECOMMENDED PCB PATTERN LAYOUT
 (SCALE:5-1)



上部詳細
 DETAIL T

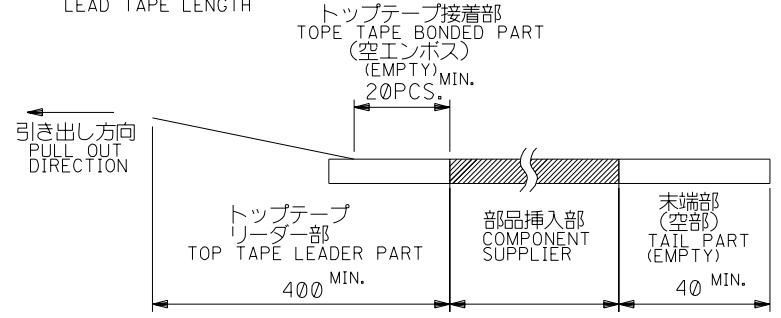
REVISED EC NO: J2016-0601 DRWN: JFURUKAWA 2015/12/08 CHKD: TASAKAWA 2015/12/08 APPR: KMORIKAWA 2015/12/16	GENERAL TOLERANCES (UNLESS SPECIFIED)			DIMENSION STYLE MM ONLY		SCALE 20:1	DESIGN UNITS METRIC	THIRD ANGLE PROJECTION	
	0.25 UNDER	UNDER	±0.03	DRAWN BY	DATE	TITLE			
	0.25 OVER	0.5 UNDER	±0.05	H. SHIMOYAMA	1998/04/25	0.5 MM PITCH B/B CONN. REC. HSG ASSY (H=2.3MM) WITH FITTING NAIL			
	0.5 OVER	1.0 UNDER	±0.1	CHECKED BY	DATE				
	1.0 OVER	10 UNDER	±0.2	M. SASAO	1998/04/25	molex			
10 OVER	30 UNDER	±0.25	APPROVED BY	DATE					
30 OVER		±0.3	MATERIAL NO.		DOCUMENT NO.	SHEET NO.			
	ANGULAR	±3 °	SEE CHART		SD-54363-009	2 OF 2			
	DRAFT WHERE APPLICABLE MUST REMAIN WITHIN DIMENSIONS			SIZE A3	THIS DRAWING CONTAINS INFORMATION THAT IS PROPRIETARY TO MOLEX ELECTRONIC TECHNOLOGIES, LLC AND SHOULD NOT BE USED WITHOUT WRITTEN PERMISSION				

9 8 7 6 5 4 3 2 1



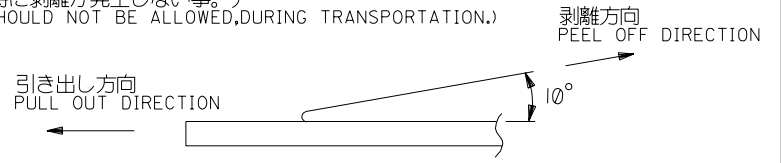
注)
NOTES

- 製品番号54363-***I 詳細寸法については、製品単体図面を参照下さい。
IN THE PACKAGE PART NUMBER 54363-***I DETAILED DIMENSIONS, SEE SALES DRAWING FOR CONNECTOR.
- 梱包数量：2500個/リール
NUMBER OF CONNECTORS:2500 PCS/REEL.
- リードテープ長さ
LEAD TAPE LENGTH



- トップテープの剥離強度：(剥離方向は下図参照)
PEELING OFF FORCE OF TOP TAPE (PELLING DIRECTION AS SHOWN IN FOLLOWING FIGURE.)
0. 1~1. 3N (10~130gf)

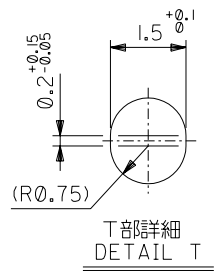
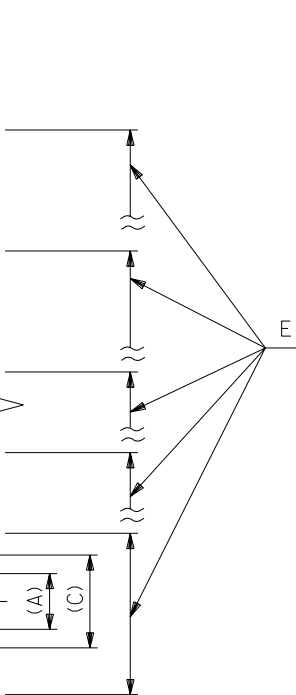
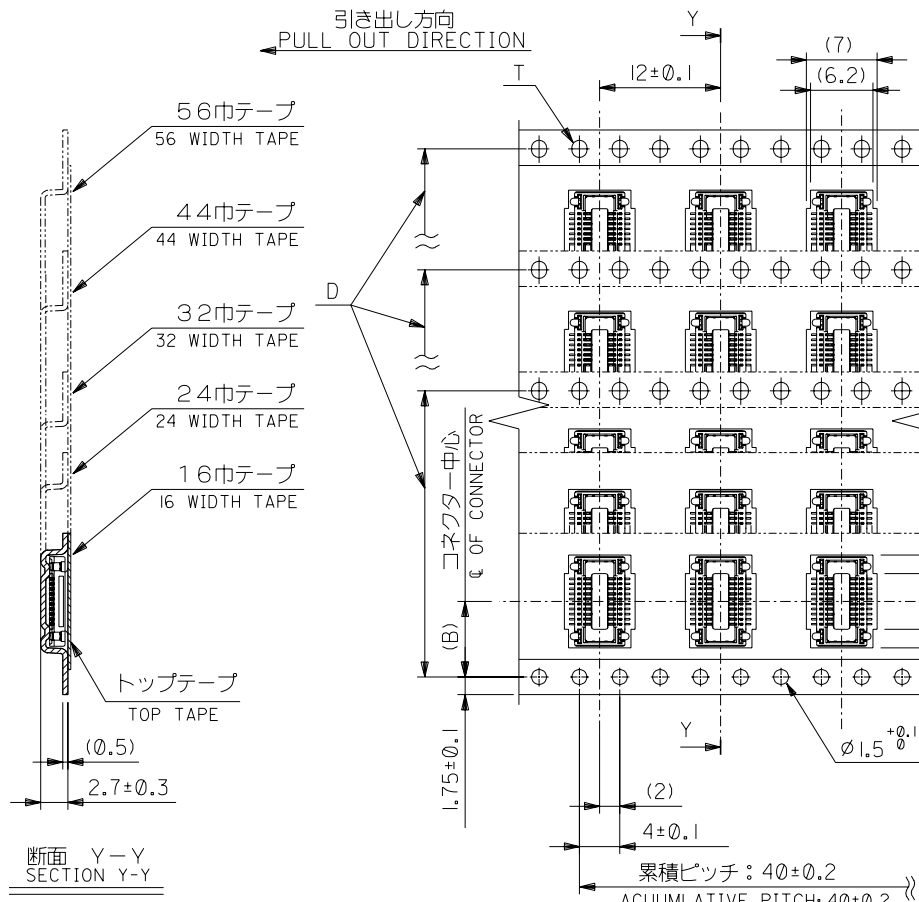
尚、本規格値は、出荷時に適用。
THIS REQUIREMENT SHOULD BE APPLIED AT SHIPMENT.
(但し、輸送時に剥離が発生しない事。)
(PEEL OFF SHOULD NOT BE ALLOWED, DURING TRANSPORTATION.)



- 材料
MATERIAL
キャリアテープ：ポリプロピレン (PP)
CARRIER TAPE: POLYPROPYLENE (PP)
トップテープ：PET, PE, PEF
TOP TAPE: PET, PE, PEF
リール：ポリスチレン
REEL: POLYSTYRENE

EC NO. DRWN: CHK: APPR:	REVISED ECNNO. J2004-0517 DRWN:H.SHIMOYAMA '98/04/03 CHK:H.HIRATA '98/04/03 APPR:M.SASAO '98/04/03	REVISED ECNNO. J2003-1812 DRWN:H.SHIMOYAMA '98/01/14 CHK:K.KASAHARA '98/01/14 APPR:T.YAMAGUCHI '98/01/14	REVISED ECNNO. J2003-0565 DRWN:H.SHIMOYAMA '98/09/02 CHK:K.KASAHARA '98/09/02 APPR:T.YAMAGUCHI '98/09/02	REVISED ECNNO. J2002-1629 DRWN:H.SHIMOYAMA '98/01/11 CHK:K.KASAHARA '98/01/11 APPR:T.YAMAGUCHI '98/01/11	MATERIAL 材料 注記参照 SEE NOTES	GENERAL TOLERANCES: (UNLESS SPECIFIED) 一般公差	SCALE NONE	DESIGN UNITS <input checked="" type="checkbox"/> mm <input type="checkbox"/> INCH	THIRD ANGLE PROJECTION	DIMENSIONS: <input type="checkbox"/> mm <input type="checkbox"/> INCH <input checked="" type="checkbox"/> mm ONLY	SHT	REV
	H	G	F	E	FINISH 仕上げ 注記参照 SEE NOTES	10 UNDER 未満 ±0.2	DRAWN BY & DATE H. Shimoyama '98/04/25	TITLE: 54363-***I TAPING PACKAGE				
					WIRE RANGE 適用線径範囲	10 OVER 30 UNDER 未満 ±0.25	CHECKED BY & DATE M. Sasao '98/04/25					
					INS. RANGE 被覆外径	30 OVER 以上 ±0.3	APPROVED BY & DATE M. Sasao '98/04/25					
					ANGLE 角度	ANGLE 角度 ±3°	CAD FILENAME 54363010.S01					
THIS DRAWING CONTAINS INFORMATION THAT IS PROPRIETARY TO MOLEX INCORPORATED AND SHOULD NOT BE USED WITHOUT WRITTEN PERMISSION.										SIZE B		

DWG. NO.
SD-54363-010



57.5	56±0.3	52.4	44.2	26.2	40.55	54363-1608	160	—
			39.2		35.55	54363-1408	140	○
			34.2		30.55	54363-1208	120	○
45.5	44±0.3	40.4	31.7	20.2	28.05	54363-1108	110	○
			29.2		25.55	54363-1008	100	○
			26.7		23.05	54363-0908	90	—
			24.2		20.55	54363-0808	80	○
33.5	32±0.3	28.4	21.7	14.2	18.05	54363-0708	70	○
			19.2		15.55	54363-0608	60	○
			16.7		13.05	54363-0508	50	○
25.5	24±0.3	—	14.2	11.5	10.55	54363-0408	40	○
			11.7		8.05	54363-0308	30	○
17.5	16±0.3	—	9.2	7.5	5.55	54363-0208	20	○
F	E キャリアテープ幅 CARRIER TAPE WIDTH	D	(C)	(B)	(A)	製品番号 MATERIAL NO.	極数 CIRCUITS	量産対応 AVAILABLE

DO NOT SCALE DRAWING

EC NO. DRWN: CHK: APPR:	REVISED ECNNO. J2004-0517 DRWN:H.SHIMOYAMA '98/04/03 CHK: H.HIRATA '98/04/03 APPR:M.SASAO '98/04/03	REVISED ECNNO. J2003-1812 DRWN:H.SHIMOYAMA '98/01/14 CHK: K.KASAHARA '98/01/14 APPR:T.YAMAGUCHI '98/01/14	REVISED ECNNO. J2003-0565 DRWN:H.SHIMOYAMA '98/09/02 CHK: K.KASAHARA '98/09/02 APPR:T.YAMAGUCHI '98/09/02	REVISED ECNNO. J2002-1629 DRWN:H.SHIMOYAMA '98/01/11 CHK: K.KASAHARA '98/01/11 APPR:T.YAMAGUCHI '98/01/11	MATERIAL 材料	—	FINISH 仕上げ	—	WIRE RANGE 適用線径範囲	—	INS. RANGE 被覆外径	—
REV	H	G	F	E	DESCRIPTION	—	—	—	—	—	—	

GENERAL TOLERANCES: (UNLESS SPECIFIED) 一般公差	SCALE NONE	DESIGN UNITS mm INCH	THIRD ANGLE PROJECTION	mm INCH	mm ONLY	SHT	REV
10 UNDER 未滿	±0.2	DRAWN BY & DATE H. Shimoyama '98/04/25	TITLE: 54363-***1 TAPING PACKAGE				
10 OVER 以上	±0.25	CHECKED BY & DATE M. Sasao '98/04/25					
30 OVER 以上	±0.3	APPROVED BY & DATE H. Shimoyama '98/04/25					
ANGLE 角度	±3°	CAD FILENAME 54363010.S02	MATERIAL NO. SEE CHART	DRAWING NO. SD-54363-010	SHEET NO. 2		
THIS DRAWING CONTAINS INFORMATION THAT IS PROPRIETARY TO MOLEX INCORPORATED AND SHOULD NOT BE USED WITHOUT WRITTEN PERMISSION.							SIZE B