

**MATERIALS AND FINISHES**

**BODY: BERYLLIUM COPPER**  
 PLATED GOLD (50μ-in MIN) OVER NICKEL (50μ-in MIN)

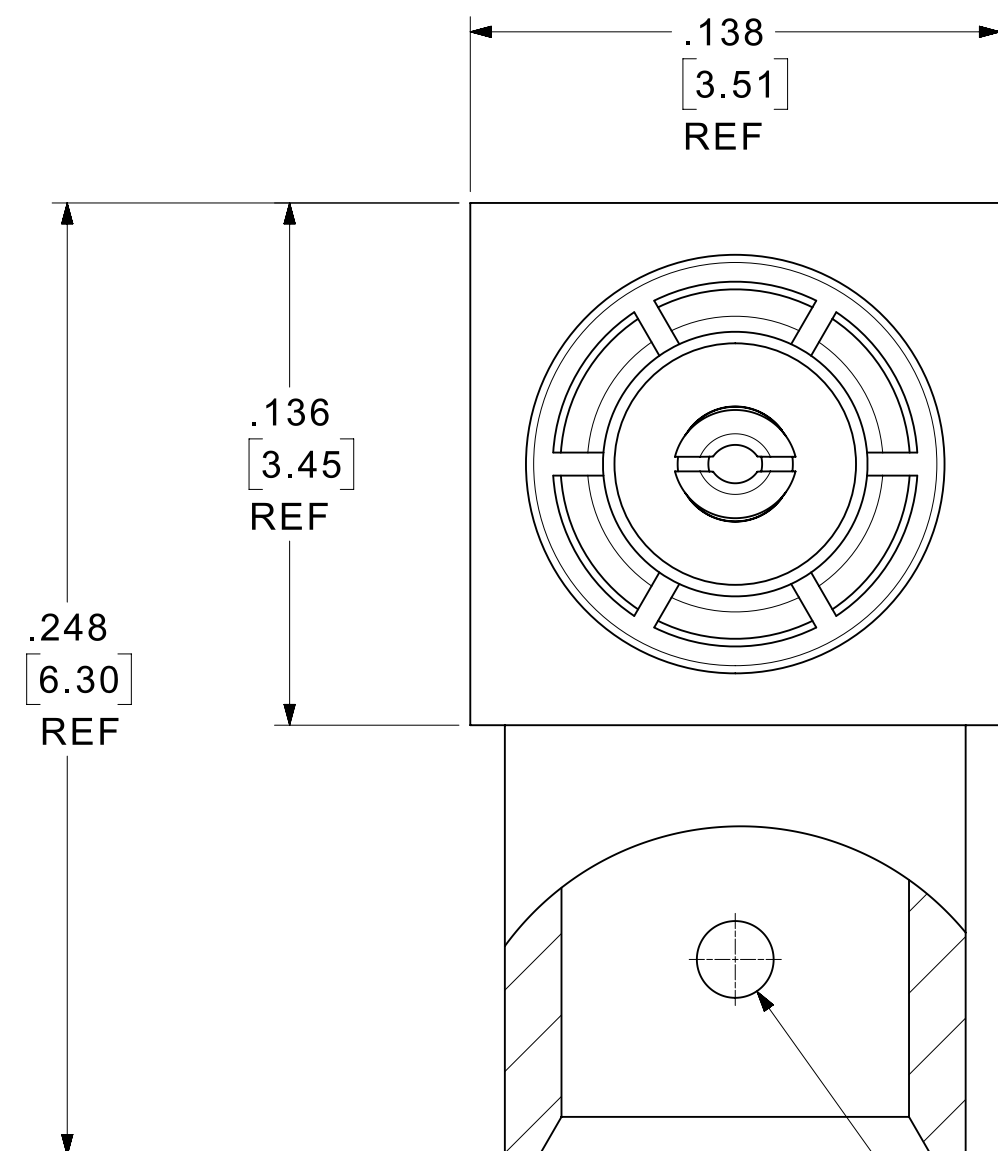
**CONTACT: BERYLLIUM COPPER**  
 PLATED GOLD (50μ-in MIN) OVER NICKEL (100μ-in MIN)

**CAP: BRASS**  
 PLATED GOLD (30μ-in MIN) OVER NICKEL (100μ-in MIN)

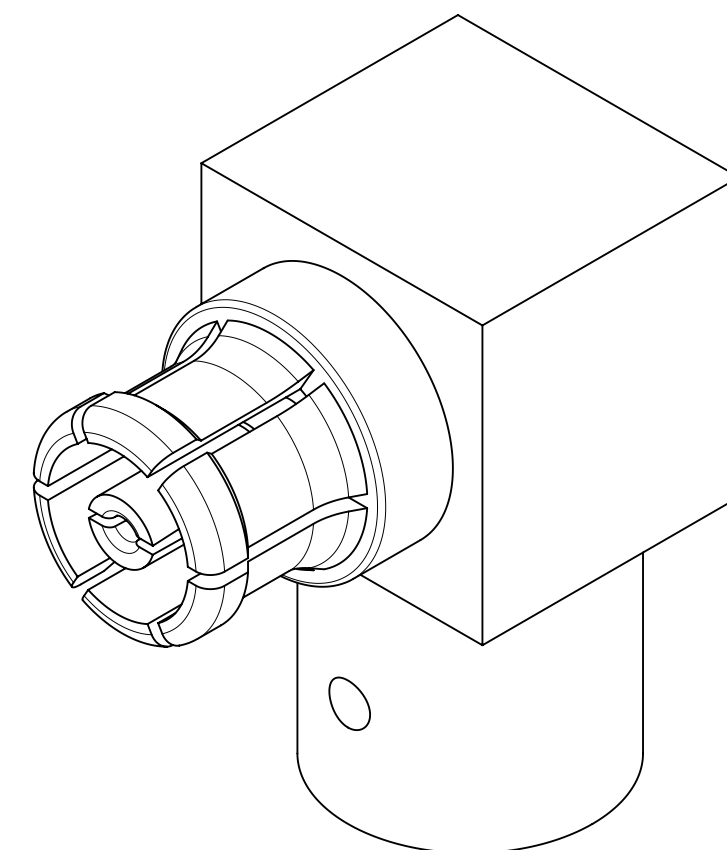
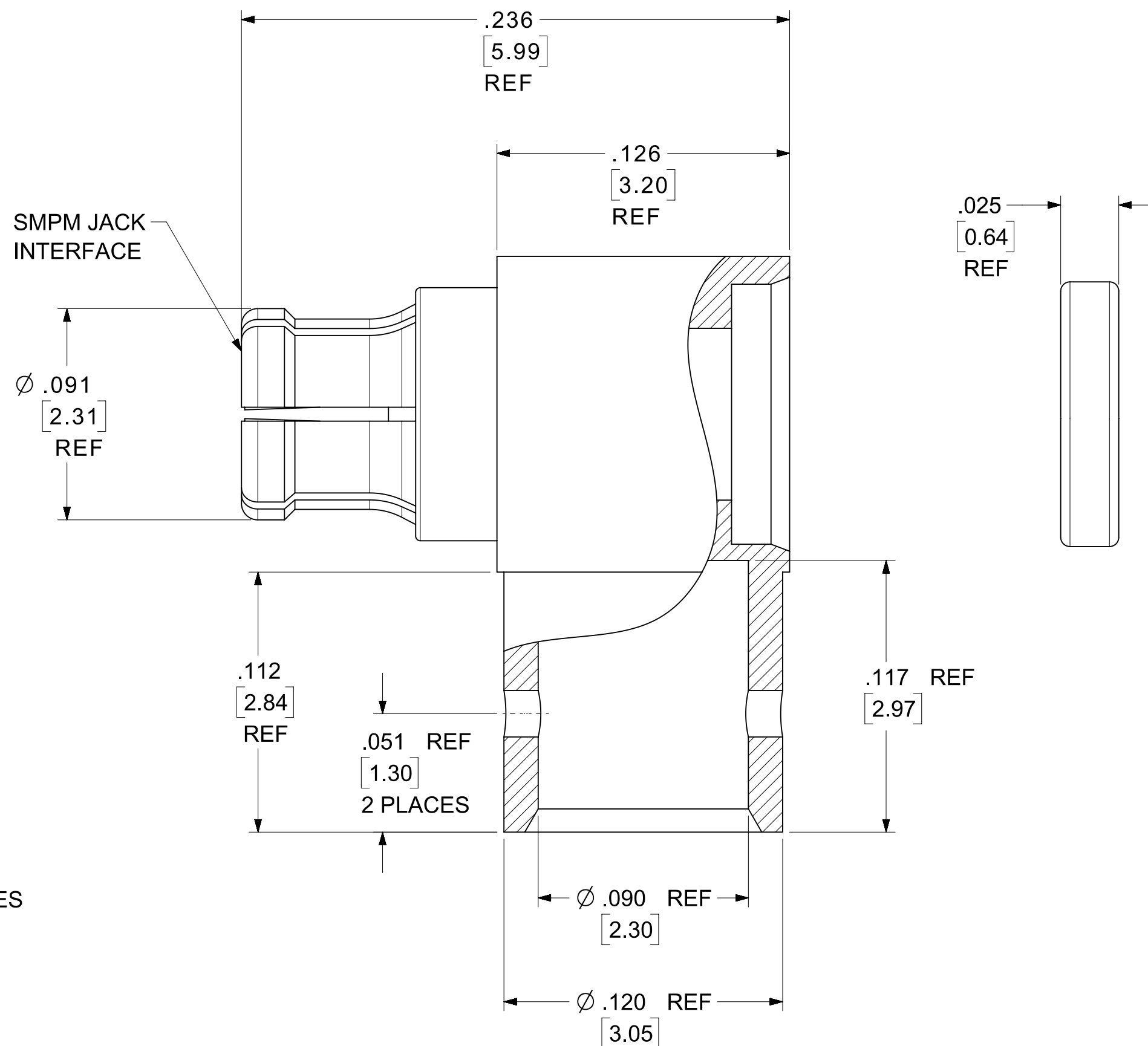
**INSULATOR: PTFE**

**ELECTRICAL**

VSWR: 1.20 MAX DC - 12 GHz  
 1.30 MAX 12.1 - 18 GHz



WEEP HOLES  
 2 PLACES  
 180° APART



CAP

Ø .1140  
 [2.90]  
 REF

73300-0191	TRAY	240 PCS
73300-0190	TRAY	3200 PCS
PART NO	PACKAGING	QUANTITY / BOX

AS-89675-5100	APPLICATION SPECIFICATION			
PS-89675-3730	PRODUCT SPECIFICATION			
MIL-STD-348, FIG. 328.1	INTERFACE			
SPECIFICATION	DESCRIPTION			
DOCUMENT STATUS	P1	RELEASE DATE	2018/06/29	06:14:51

C5	2018/06/21	ADD -0191 PART NO. ADD PACKAGE QUANTITY
REV	DATE	DESCRIPTION

SYMBOLS		THIS DRAWING CONTAINS INFORMATION THAT IS PROPRIETARY TO MOLEX ELECTRONIC TECHNOLOGIES, LLC AND SHOULD NOT BE USED WITHOUT WRITTEN PERMISSION			
▽ = 0	DIMENSION UNITS	SCALE		CURRENT REV DESC: REVISED	
▽ = 0	INCH	NTS			
▽ = 0	GENERAL TOLERANCES (UNLESS SPECIFIED)				
▽ = 0		MM	INCH		
▽ = 0	4 PLACES ±			EC NO: 178294	
▽ = 0	3 PLACES ±		± 0.005	DRWN: JSU18 2018/06/21	
▽ = 0	2 PLACES ±	0.13	± 0.01	CHK'D: YCHENG 2018/06/29	
▽ = 0	1 PLACE ±	0.25		APPR: YCHENG 2018/06/29	
▽ = 0	0 PLACES ±			INITIAL REVISION:	
▽ = 0	ANGULAR TOL	± 2.0°		DRWN: AROBERTSON 2013/10/10	
▽ = 0	DRAFT WHERE APPLICABLE MUST REMAIN WITHIN DIMENSIONS		THIRD ANGLE PROJECTION	DRAWING	SERIES
▽ = 0			C-SIZE	73300	2014/02/26
		DOCUMENT NUMBER		DOC TYPE	DOC PART
		SD-73300-019		PSD	001
		MATERIAL NUMBER		CUSTOMER	REVISION
		SD-73300-019			C5
		SHEET NUMBER		1 OF 1	



SMPM JACK RA FOR  
 086 CABLES SMPM-JC, EWR-10832-B

PRODUCT CUSTOMER DRAWING