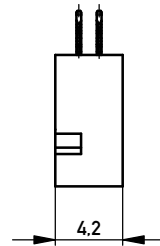
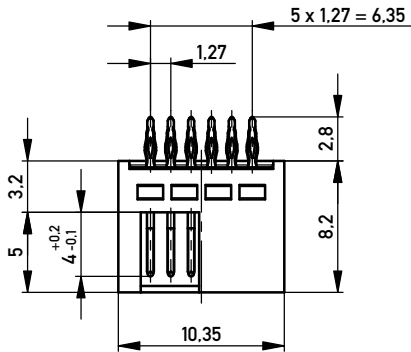
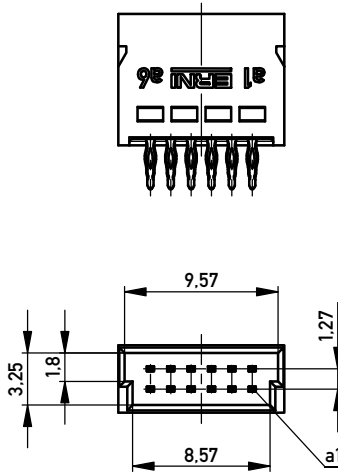
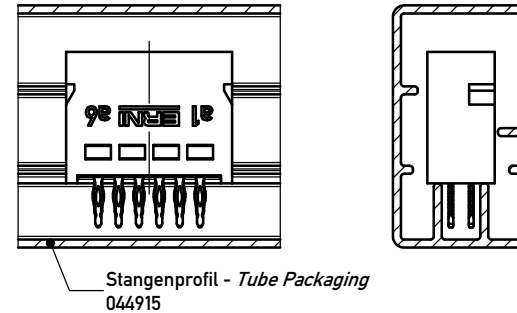
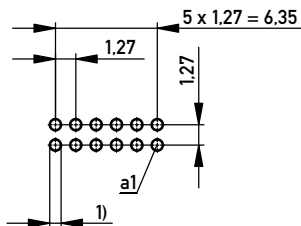


Verpackt in Stangenprofil - Tube Packaging

Verpackungseinheit: 65 Stück - Packaging unit: 65 pcs



Lochbild für Leiterplatte
Board hole pattern



Anforderungsstufe 1
Performance Level 1

Kontaktbereich vergoldet
Mating Area gold plating

Anschlussbereich verzinkt 1-2 µm
Terminal Area 1-2 µm tin plating

1) Lochaufbau siehe ERNI-Spezifikation 164062 Nr. 1 hole design according to ERNI-specification 164062 No. 1

Information:		Tolerances		Scale	3:1
All rights reserved. Only for Information. To ensure that this is the latest version of this drawing, please contact one of the ERNI companies before using.		Subject to modification without prior notice. Drawing will not be updated.		Designation	
ERNI		www.ERNI.com		Messerl. SMC-Q 12-EE-BA 3 Male SMC-Q 12-EE-type 3	
e	02.07.2015	064002		I	
Index	Date	Class		SMCQ	
				A3	

Copyright by ERNI GmbH.
Proprietary notice pursuant to ISO 9006 to be observed.