

LAYOUT SHOWN AS EXAMPLE

Keying Shown as example

CHARACTERISTICS

- Standard : Based on MIL-DTL-38999 Series III
- Shell Material : Composite
- Shell Plating : Without Plating
- Insulator : Thermoplastic
- Contacts : Copper Alloy
- Seals & Grommet : Silicon Elastomer
- Contact Plating : Gold over copper Alloy 0.8µm minimum
- Durability : 500 Mating cycles
- Delivered without Souriau contacts
- Temperature Range : -65°C to +175°C
- Salt Spray : 2000 hours
- Mass : 12.3 g ± 10%

Connector dimension	
Dim	Nominal
P	3.25±0.2
PP	4.93±0.2
R1	23.01
R2	20.62
S	28.6±0.3
V	20.83+0/-1.25
W	2.1/2.5
Z	31.5 Max
VV THREAD	M18x1-6g

SOURIAU shall not be liable for any non-conformity or damage due to a use of the Products which does not comply with the Specifications issued by either of the Parties or by a third party (professional recommendation, technical notice.)

Country	Jurisdiction & Control List
FR	Not Listed

PN: 8D013X35PAL

A	16-10-2016	First Release	
ISS	DATE	Latest modification - by	MOD N°
Designed By:		Date:	CUSTOMER DRAWING
TITLE	Composite Receptacle 8D series		
SCALE	NA	General linear Tolerances: ±--	NPRDS / PROJECT 859
SOURIAU	WWW.SOURIAU.COM		This document is the property of SOURIAU it must not be reproduced or communicated without permission
FORMAT	A3		SOURIAU DRG N° 8D013X35PAL-C
			SHEET 1/2

BASIC SERIES:	8D	0	-	13	X	35	P	A	L	Delivered W/O Contacts
SHELL TYPE :	Square Flange Receptacle									ORIENTATION : A
CONTACT TYPE :	Standard Crimp Contact									CONTACT TYPE : PIN(500 Matings)
SHELL SIZE :	13									CONTACT LAYOUT : 13-35
PLATING :	X = Without Plating									

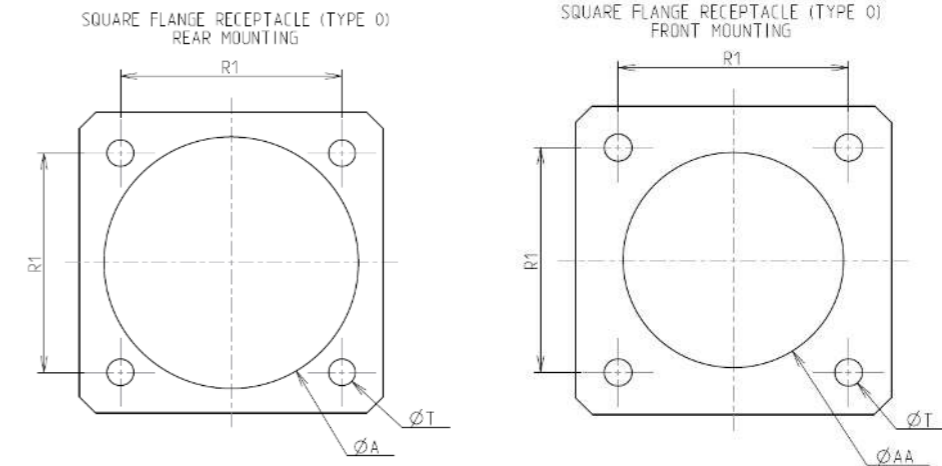
Contact Layout



Contacts (Insert arrangement 13-35)					
Contact position ID	Location		Contact position ID	Location	
	X-axis (mm)	Y-axis (mm)		X-axis (mm)	Y-axis (mm)
1	+045 (1.14)	+197 (5.00)	12	-182 (4.62)	+088 (2.24)
2	+126 (3.20)	+158 (4.01)	13	-126 (3.20)	+158 (4.01)
3	+182 (4.62)	+088 (2.24)	14	-045 (1.14)	+197 (5.00)
4	+203 (5.16)	+000 (0.00)	15	+045 (1.14)	+107 (2.72)
5	+182 (4.62)	-088 (2.24)	16	+117 (2.97)	+026 (0.66)
6	+126 (3.20)	-158 (4.01)	17	+093 (2.36)	-075 (1.91)
7	+045 (1.14)	-197 (5.00)	18	+000 (0.00)	-120 (3.05)
8	-045 (1.14)	-197 (5.00)	19	-093 (2.36)	-075 (1.91)
9	-126 (3.20)	-158 (4.01)	20	-117 (2.97)	+026 (0.66)
10	-182 (4.62)	-088 (2.24)	21	-045 (1.14)	+107 (2.72)
11	-203 (5.16)	+000 (0.00)	22	+000 (0.00)	-030 (0.76)

(Applicable to MIL-DTL-38999 only)						
Shell size	Arrangement no.	Number of contacts	Size contacts	Service rating	Contact location	Supersedes
13	-35	22	22D	M	All	MS27527-35

Panel Cutout



Dim	Nominal
ØA	23.42 min
ØAA	19.05 min
R1	23.01
ØT	3.25 ±0.13

SOURIAU shall not be liable for any non-conformity or damage due to a use of the Products which does not comply with the Specifications issued by either of the Parties or by a third party (professional recommendation, technical notice.)

Country	Jurisdiction & Control List
FR	Not Listed

PN: 8D013X35PAL

A	16-10-2016	First Release	
ISS	DATE	Latest modification - by	MOD N°
Designed By:		Date:	CUSTOMER DRAWING
TITLE	Composite Receptacle 8D series		
SCALE		General linear Tolerances: ±--	NPRDS / PROJECT 859
NA			
SOURIAU	WWW.SOURIAU.COM		This document is the property of SOURIAU it must not be reproduced or communicated without permission
FORMAT	SOURIAU DRG N° 8D013X35PAL-C		SHEET 2/2