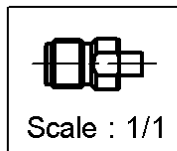
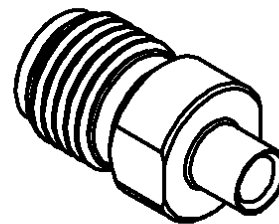
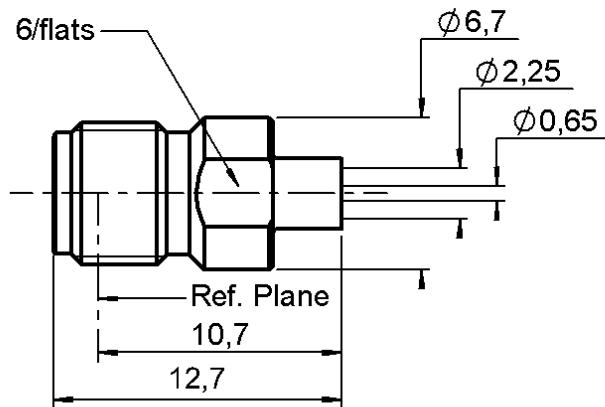
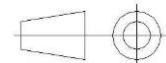


PAGE 1/2	ISSUE 09-09-16J	SERIES SMA	PART NUMBER R125222000
----------	-----------------	------------	------------------------



CECC 22111-804-03

All dimensions are in mm.



COMPONENTS	MATERIALS	PLATING (μm)
Body	STAINLESS STEEL.	GOLD 0.5 OVER NICKEL 2
Center contact	BERYLLIUM COPPER	GOLD 1.3 OVER NICKEL2
Outer contact	-	-
Insulator	PTFE	-
Gasket	-	-
Others parts	-	-
-	-	-
-	-	-

PAGE 2/2	ISSUE 09-09-16J	SERIES SMA	PART NUMBER R125222000
-----------------	------------------------	-------------------	-------------------------------

PACKAGING

Standard 100	Unit Contact us	Other Contact us
------------------------	---------------------------	----------------------------

ELECTRICAL CHARACTERISTICS

Impedance	50	Ω
Frequency	0-18	GHz
VSWR	1.07 + 0,0080	x F(GHz) Maxi
Insertion loss	0.03	\sqrt{F} (GHz) dB Maxi
RF leakage	- (90)	- F(GHz)) dB Maxi
Voltage rating	335	Veff Maxi
Dielectric withstanding voltage	750	Veff mini
Insulation resistance	5000	M Ω mini

MECHANICAL CHARACTERISTICS

Center contact retention		
Axial force – Mating End	NA	N mini
Axial force – Opposite end	NA	N mini
Torque	NA	N.cm mini
Recommended torque		
Mating	NA	N.cm
Panel nut	NA	N.cm
Clamp nut	NA	N.cm
A/F clamp nut	6,0000	mm
Mating life	500	Cycles mini
Weight	1,5630	g

ENVIRONMENTAL

Operating temperature	-65/+105	$^{\circ}\text{C}$
Hermetic seal	NA	Atm.cm3/s
Panel leakage	NA	

SPECIFICATION

4051 019 - -

CABLE ASSEMBLY

Stripping	a	b	c	d	e	f
mm	3,17	0	0	0	0	0

Assembly instruction: **Solder 01**

Recommended cable(s)

RG 405
KS 1

Characteristics indicated on this data sheet are those that can be achieved with the highest performance cable. Intrinsic limitations of the cable may diminish the performance of the assembly

Cable retention

- pull off	130	N mini
- torque	NA	N.cm

TOOLING

Part Number	Description	Hexagon
R282120010	SMA TOOLBOX	
R282051000	STRIPPING TOOL	
R282063000	POINTER GAUGE	
R282730043	INSULATOR MOUNTING TOOL	
R282740000	SOLDERING MOUNTING	
R282744220	SOLDERING POSITIONER(CENTER CONTACT)	
R282862060	CONTROL GAUGE	
R282914010	DIELECTRIC RECESS GAUGE	
R282915010	DIELECTRIC RECESS TOOL	
R282744010	SOLDERING POSITIONER (BODY)	

OTHER CHARACTERISTICS

-