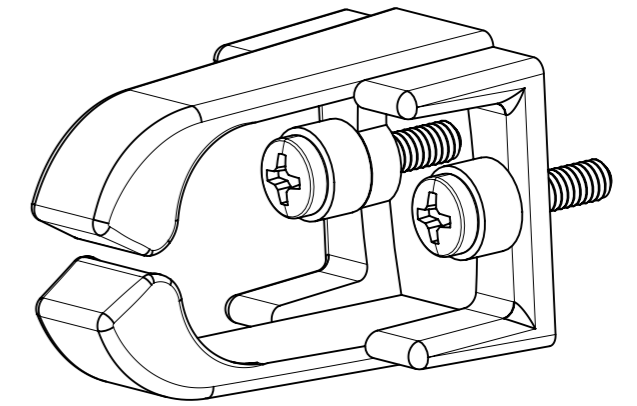
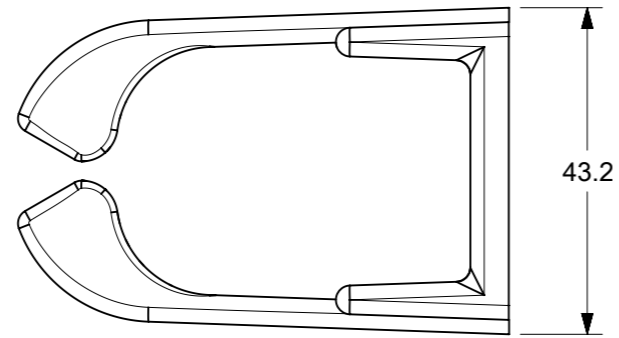
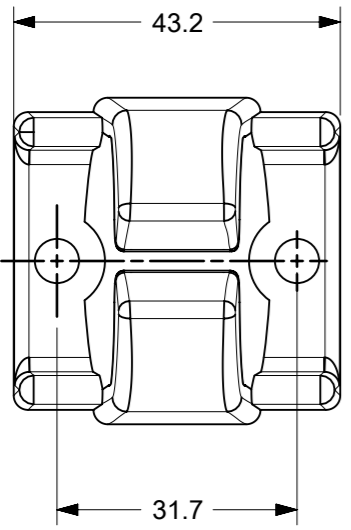
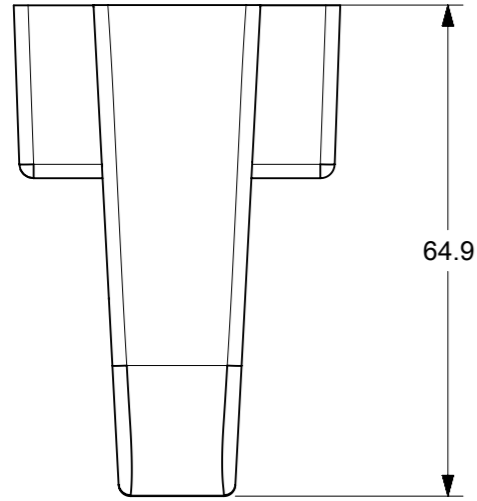


NOTES:

- 1. RING MATERIAL : POLYCARBONATE (PC).
- 2. PACKAGING:
CABLE RING, #12-24 X 1" PHIL. PAN HEAD SCREW (QTY 2) AND WASHER (QTY 2) ARE PLACED IN A ZIPLOCK BAG .SUCH BAGS ARE PACKED IN A BOX AND LABELED.
- 3. PRODUCT PACKAGING LABEL CONTAINS QR CODE FOR INSTALLATION INSTRUCTIONS AND WHERE QR CODE IS NOT AVAILABLE HARD COPY WILL BE SUPPLIED.



ISO VIEW

PART NO. CHART	
MPN NO.	SAP NO.
25.B0284	180310014

FUNCTIONAL SYMBOLS	THIS DRAWING CONTAINS INFORMATION THAT IS PROPRIETARY TO MOLEX ELECTRONIC TECHNOLOGIES, LLC AND SHOULD NOT BE USED WITHOUT WRITTEN PERMISSION		CURRENT REV DESC:			molex		
	▽A = 0	mm						
	▽E = 0	GENERAL TOLERANCES (UNLESS SPECIFIED)		PRODUCT CUSTOMER DRAWING				
	▽F = 0	ANGULAR TOL ± °					DOCUMENT NUMBER	
DIVISIONAL SYMBOLS	4 PLACES	±	EC NO: 702171	2022/03/17	SD-18031-003	PSD		
	3 PLACES	±	DRWN: NKUMAR02	2022/04/22				
	2 PLACES	±	CHK'D: RCG	2022/04/22	MATERIAL NUMBER	CUSTOMER	SHEET NUMBER	
	1 PLACE	± 0.51	APPR: RCG	2022/04/22				SEE TABLE
0 PLACES	±	INITIAL REVISION:	2007/11/22					
DRAFT WHERE APPLICABLE MUST REMAIN WITHIN DIMENSIONS			THIRD ANGLE PROJECTION	DRAWING	SERIES			
				A3-SIZE	18031			