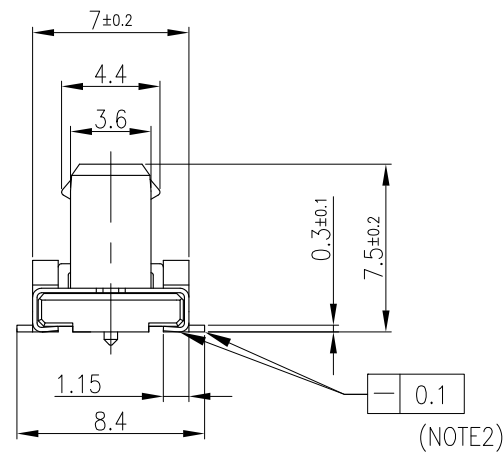
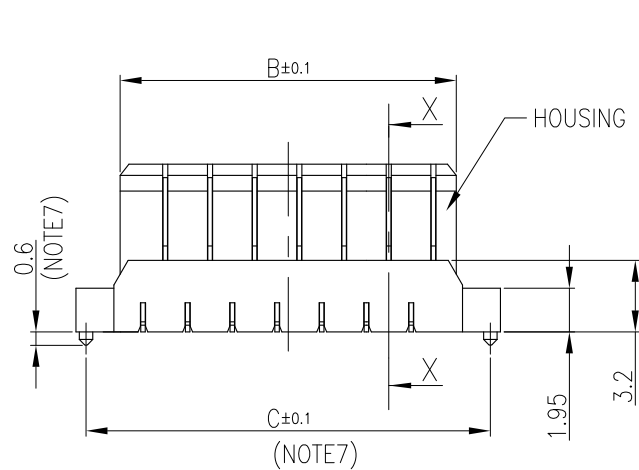
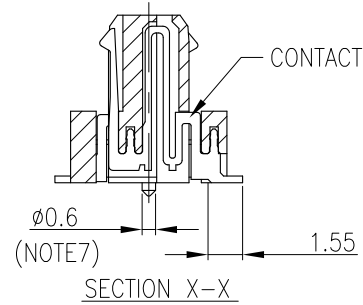
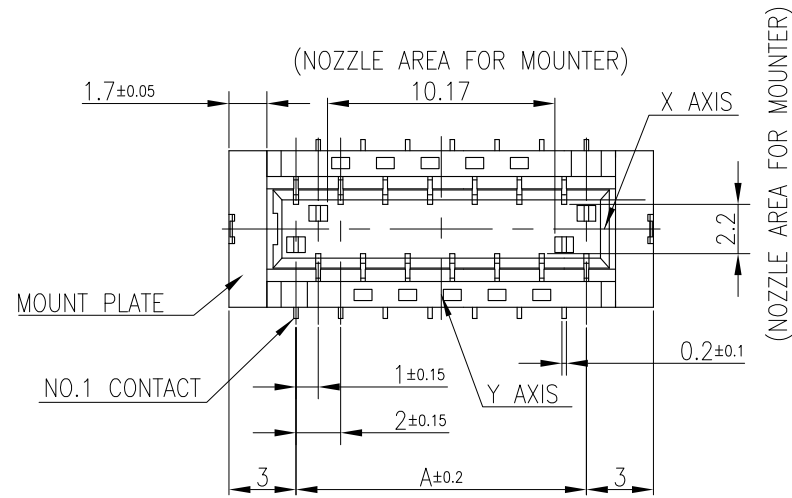
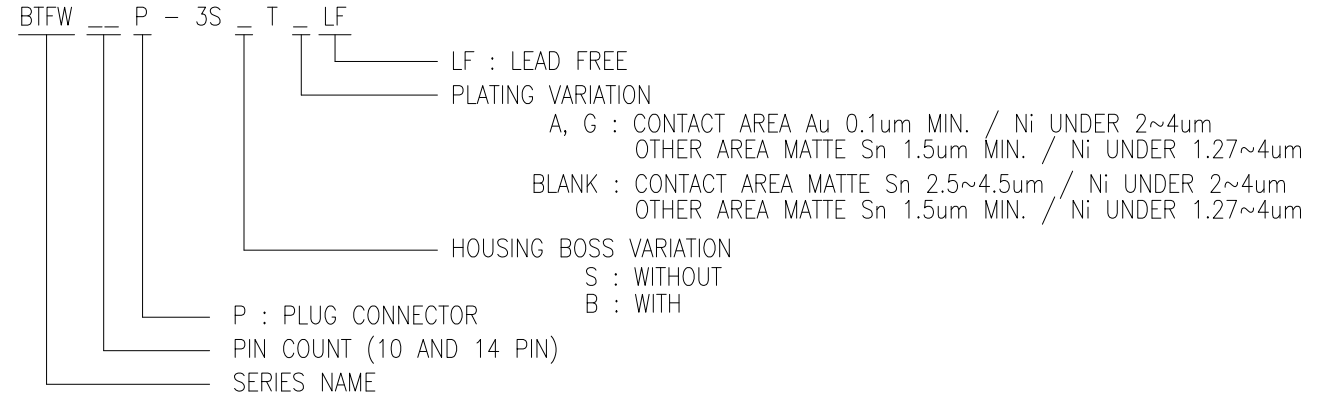


PRODUCT NO.	PIN COUNT
BTFW__P-3S_T_LF	10 AND 14 PIN



NOTE

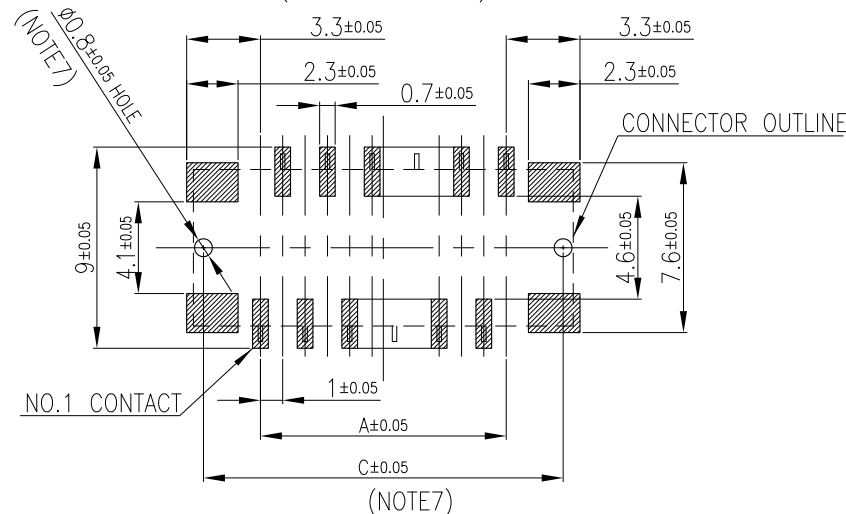
- 1.THIS CONNECTOR IS SYMMETRIC FOR X,Y AXIS.
AS A RESULT, IT IS POSSIBLE TO LOCATE IN EMBOSS CAVITY EVEN IF ROTATED CONDITION.
- 2.FLATNESS FOR CONTACT TERMINAL AND MOUNTING PLATE MUST BE WITHIN 0.1mm.
- 3.HOUSING MATERIAL : GLASS FILLED THERMOPLASTIC 9TPA, COLOR BLACK UL94-V0
- 4.CONTACT MATERIAL : PHOSPHOR BRONZE C5102R
- 5.MOUNTING PLATE MATERIAL : BRASS C2680R (REFLOW Sn 1um MIN. PRE-PLATING)
- 6.THIS PRODUCT MEETS EUROPEAN UNION DIRECTIVES AND OTHER COUNTRY REGULATIONS AS DESCRIBED IN GS-47-0004.
- 7.THESE DIMENSIONS ARE APPLICABLE FOR WITH BOTH TYPE.
- 8.PRODUCT NUMBER STRUCTURE



DIMENSION TABLE

PART NUMBER	PIN COUNT	A	B	C
BTFW10P-3SST_LF	10	9	11.05	-
BTFW10P-3SBT_LF	10	9	11.05	14.1
BTFW14P-3SST_LF	14	13	15.05	-
BTFW14P-3SBT_LF	14	13	15.05	18.1

RECOMMENDED PC BOARD LAYOUT
(COMPONENT SIDE)



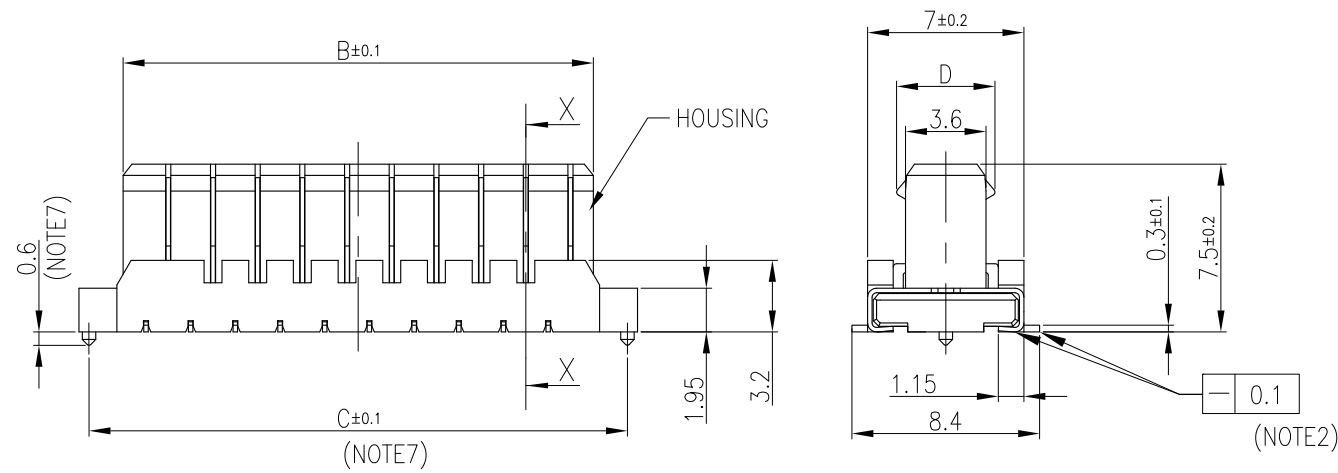
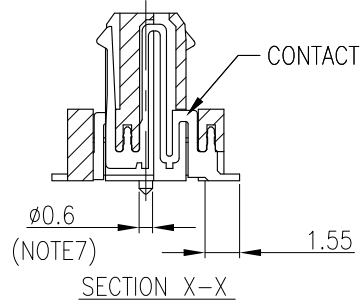
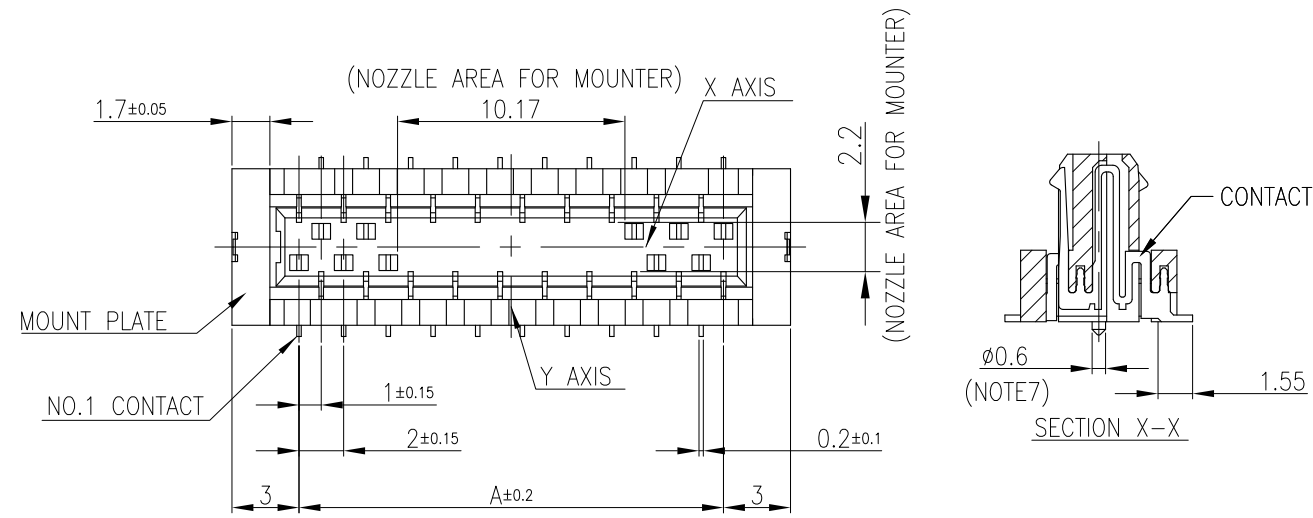
mat'l. code		surface 58		tolerance		projection		product family	
SEE_TABLE		ISO 1302		ISO 406 ISO 1101		MM		590F	
ltr	ecn no	dr	date	tolerances unless otherwise specified		MM		title	
A		S.W	2018-09-10	angles linear ±0.3		scale 3:1		FLOATING BOARD TO BOARD PLUG CONNECTOR (LEAD FREE) (CAT.No. BTFW__P-3S_T_LF)	
		dr	S.WATANABE	2018-09-10		Amphenol FCI		dwg no sheet 1 of 3 size 5	
		enr	S.WATANABE	2018-09-10				10147873 A3	
		chr	T.LENG	2018-09-10					
		appd	Y.KAMEDA	2018-09-10				type Customer Drawing	
sheet index	revision sheet	A	A	A					
		1	2	3					

PRODUCT NO.	PIN COUNT
BTFW__P-3S_T_LF	18, 20, 24, 26, 30 PIN

NOTE

- THIS CONNECTOR IS SYMMETRIC FOR X,Y AXIS.
AS A RESULT, IT IS POSSIBLE TO LOCATE IN EMBOSS CAVITY EVEN IF ROTATED CONDITION.
- FLATNESS FOR CONTACT TERMINAL AND MOUNTING PLATE MUST BE WITHIN 0.1mm.
- HOUSING MATERIAL : GLASS FILLED THERMOPLASTIC 9TPA, COLOR BLACK UL94-V0
- CONTACT MATERIAL : PHOSPHOR BRONZE C5102R
- MOUNTING PLATE MATERIAL : BRASS C2680R (REFLOW Sn 1um MIN. PRE-PLATING)
- THIS PRODUCT MEETS EUROPEAN UNION DIRECTIVES AND OTHER COUNTRY REGULATIONS AS DESCRIBED IN GS-47-0004.
- THESE DIMENSIONS ARE APPLICABLE FOR WITH BOTH TYPE.
- PRODUCT NUMBER STRUCTURE

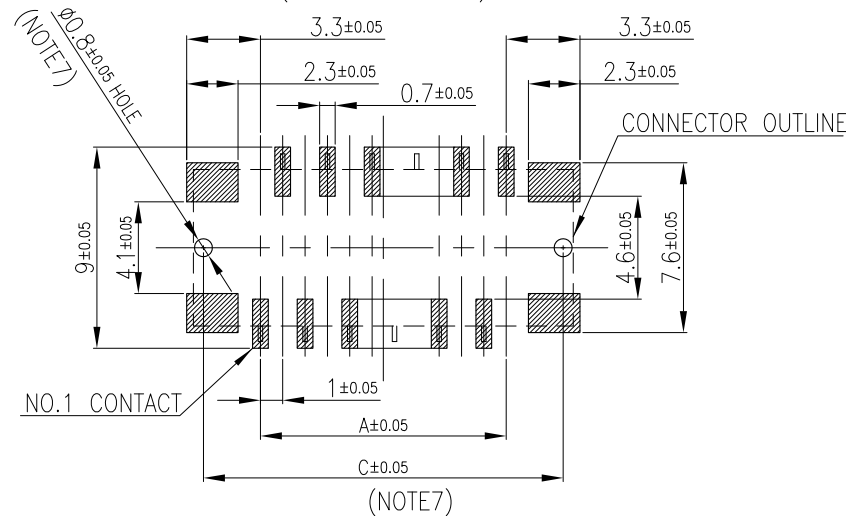
BTFW	P	-	3S	T	LF	
						LF : LEAD FREE
						PLATING VARIATION
						A, G : CONTACT AREA Au 0.1um MIN. / Ni UNDER 2~4um OTHER AREA MATTE Sn 1.5um MIN. / Ni UNDER 1.27~4um
						AD : CONTACT AREA Au 0.1um MIN. / Ni UNDER 2~4um OTHER AREA MATTE Sn 1.5um MIN. / Ni UNDER 1.27~4um CONTACT GAP SPECIAL VERSION SEE DIM D (ONLY 30PIN)
						BLANK : CONTACT AREA MATTE Sn 2.5~4.5um / Ni UNDER 2~4um OTHER AREA MATTE Sn 1.5um MIN. / Ni UNDER 1.27~4um
						HOUSING BOSS VARIATION
						S : WITHOUT B : WITH
						P : PLUG CONNECTOR
						PIN COUNT (10 AND 14 PIN)
						SERIES NAME



DIMENSION TABLE

PART NUMBER	PIN COUNT	A	B	C	D
BTFW18P-3SST_LF	18	17	19.05	-	4.4
BTFW18P-3SBT_LF	18	17	19.05	22.1	
BTFW20P-3SST_LF	20	19	21.05	-	
BTFW20P-3SBT_LF	20	19	21.05	24.1	
BTFW24P-3SST_LF	24	23	25.05	-	
BTFW24P-3SBT_LF	24	23	25.05	28.1	
BTFW26P-3SST_LF	26	25	27.05	-	
BTFW26P-3SBT_LF	26	25	27.05	30.1	
BTFW30P-3SST_LF	30	29	31.05	-	
BTFW30P-3SBT_LF	30	29	31.05	34.1	
BTFW30P-3SBTADLF	30	29	31.05	34.1	4.4 ^{+0.12} _{-0.22}

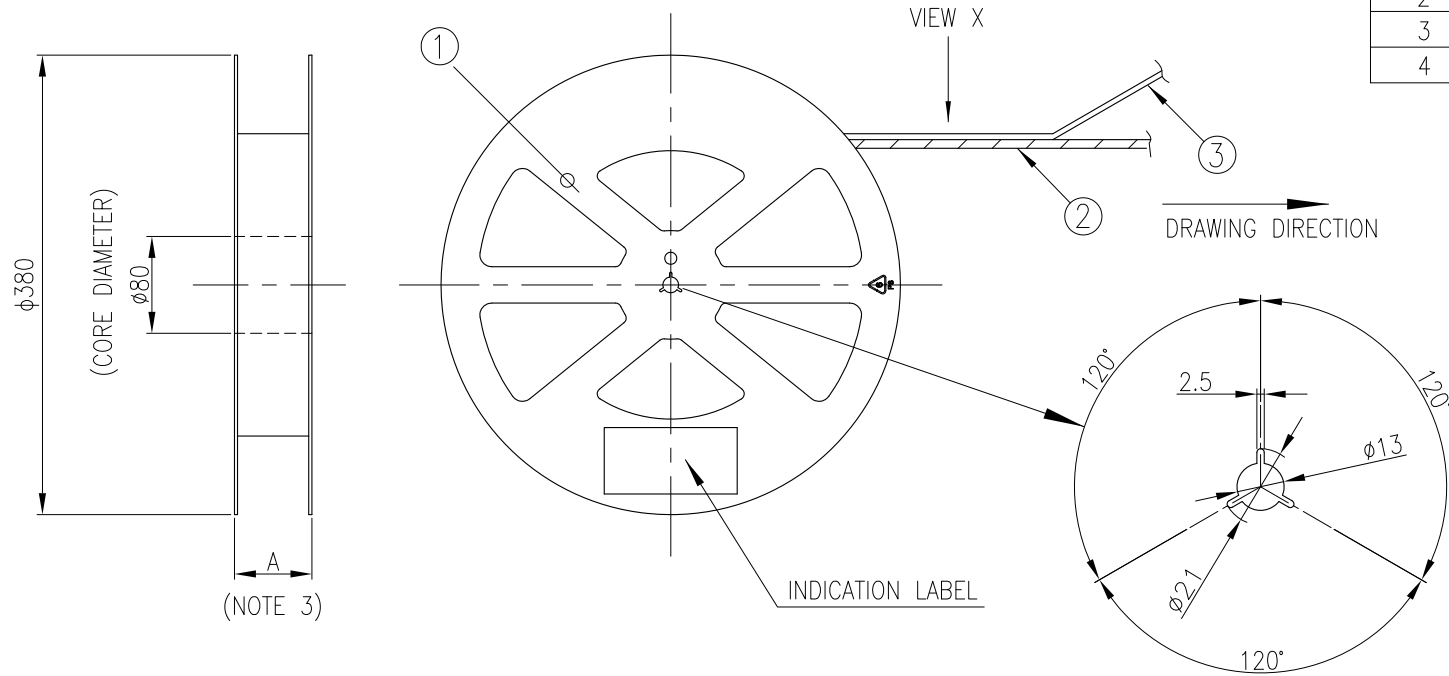
RECOMMENDED PC BOARD LAYOUT
(COMPONENT SIDE)



mat'l. code		surface 58		tolerance		projection		product family	
SEE_TABLE		ISO 1302		ISO 406 ISO 1101		MM		590F	
ltr	ecn no	dr	date	tolerances unless otherwise specified		MM		title	
A				angles linear ±0.3		MM		FLOATING BOARD TO BOARD PLUG CONNECTOR (LEAD FREE) (CAT.No. BTFW__P-3S_T_LF)	
				0°±2'		scale 3:1		dwg no	
				dr	S.WATANABE	2018-09-10	sheet 2 of 3		size
				enr	S.WATANABE	2018-09-10	10147873		A3
				chr	T.LENG	2018-09-10	type		Customer Drawing
				appd	Y.KAMEDA	2018-09-10			
sheet index	revision sheet								

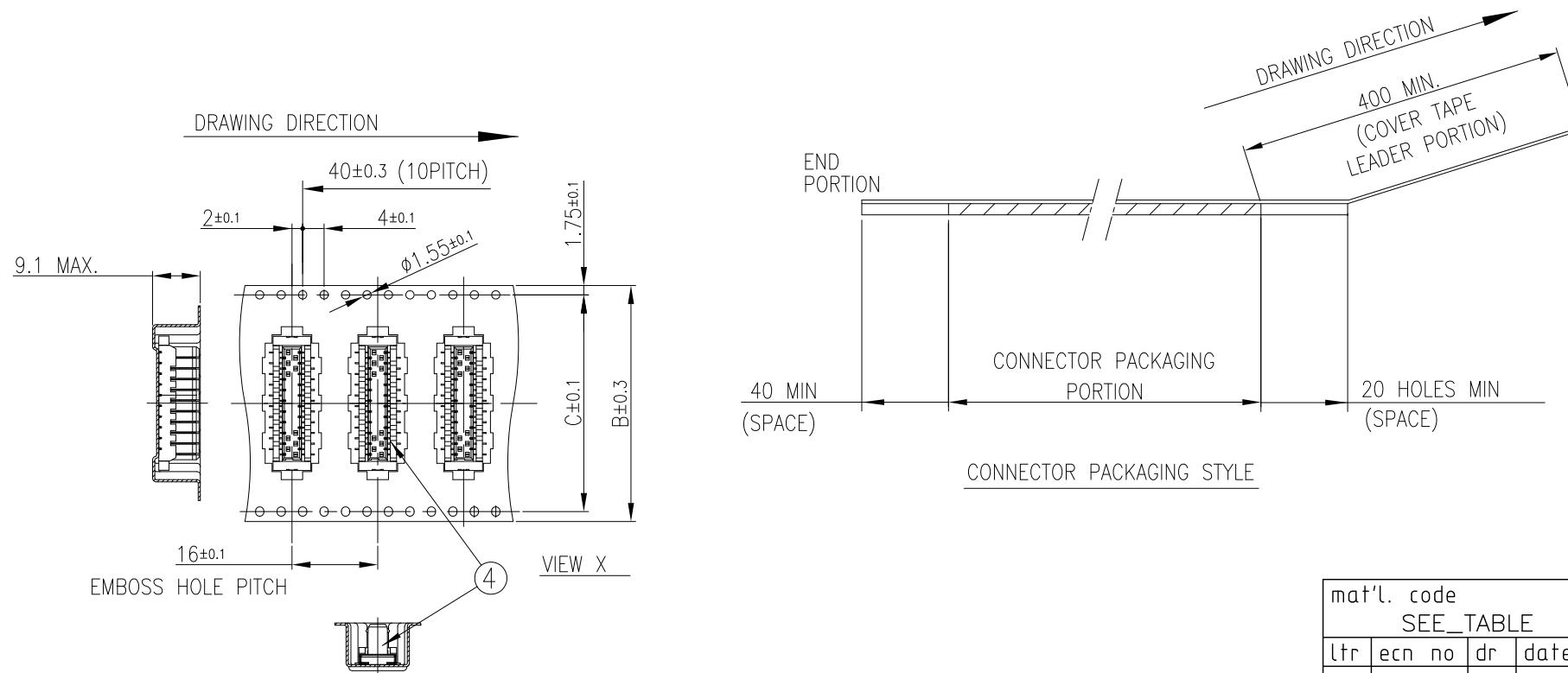
PRODUCT NO.	PIN COUNT
BTFW__P-3S_T_E4LF	10, 14, 18, 20, 24, 26, 30 PIN

PT. NO.	PARTS NAME	CAT. NO.	MATERIAL	Q'TY	NOTE
1	REEL	_____	POLYSTYRENE	1	_____
2	PLASTIC (EMBOSS) TAPE	_____	PET RESIN OR PP RESIN	_____	COLOR : TRANSPARENCY
3	COVER	_____	POLYESTER	_____	COLOR : TRANSPARENCY
4	CONNECTOR	BTFW__P-3S_T_LF	SEE SHEET 1, 2	600	FOR BTFW__P-3S_T_E4LF



DIMENSION TABLE

PART NUMBER	PIN COUNT	A	B	C
BTFW10P-3S_T_E4LF	10	37.5	32	28.4
BTFW14P-3S_T_E4LF	14	37.5	32	28.4
BTFW18P-3S_T_E4LF	18	49.5	44	40.4
BTFW20P-3S_T_E4LF	20	49.5	44	40.4
BTFW24P-3S_T_E4LF	24	49.5	44	40.4
BTFW26P-3S_T_E4LF	26	61.5	56	52.4
BTFW30P-3S_T_E4LF	30	61.5	56	52.4



NOTE

- 1.THIS IS PLASTIC TAPE PACKAGED CONNECTOR USED FOR BOARD TO BOARD COPES WITH AUTOMATIC MOUNTING (SMT).
- 2.SEE JIS C 0806 (PACKING OF ELECTRONIC COMPONENTS ON CONTINUOUS TAPES (SURFACE MOUNTING DEVICES)) FOR SHAPE AND DIMENSIONS OF PLASTIC (EMBOSS) TAPE AND REEL.
- 3.THIS DIMENSION IS PORTION OF THE CORE.

mat'l. code		surface 58		tolerance		projection		product family	
SEE_TABLE		ISO 1302		ISO 406 ISO 1101				590F	
ltr	ecn no	dr	date	tolerances unless otherwise specified				title	
A				angles	linear	±0.3		FLOATING BOARD TO BOARD PLUG CONNECTOR (LEAD FREE) (CAT.No. BTFW__P-3S_T_E4LF)	
				0°±2'		scale N/A		dwg no	
				dr	S.WATANABE	2018-09-10	Amphenol FCI		sheet 3 of 3
				enr	S.WATANABE	2018-09-10	10147873		size 5
				chr	T.LENG	2018-09-10	Customer Drawing		A3
				appd	Y.KAMEDA	2018-09-10			
sheet index	revision sheet								