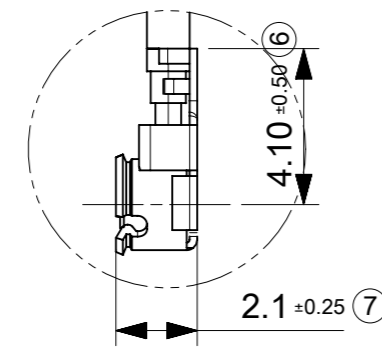
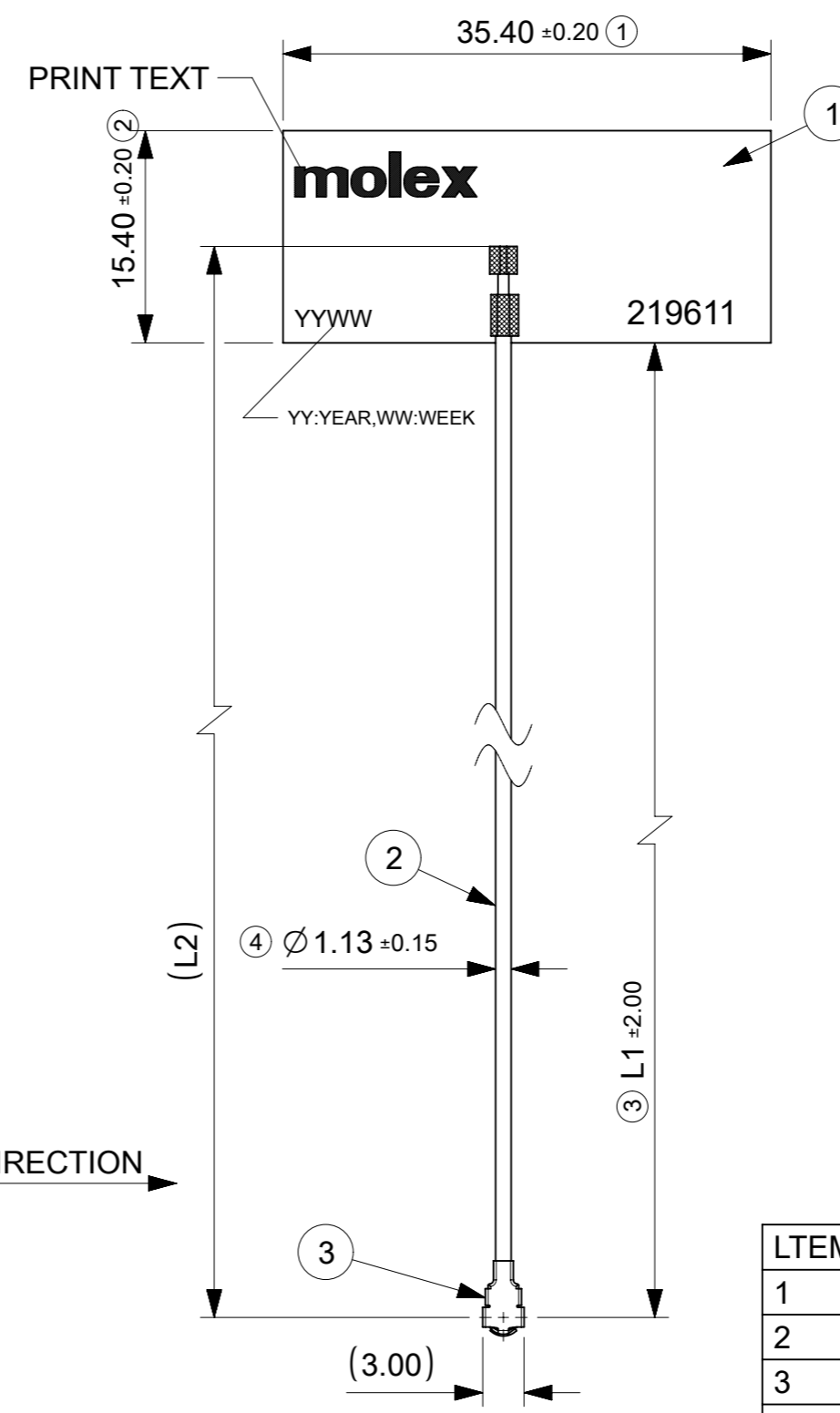
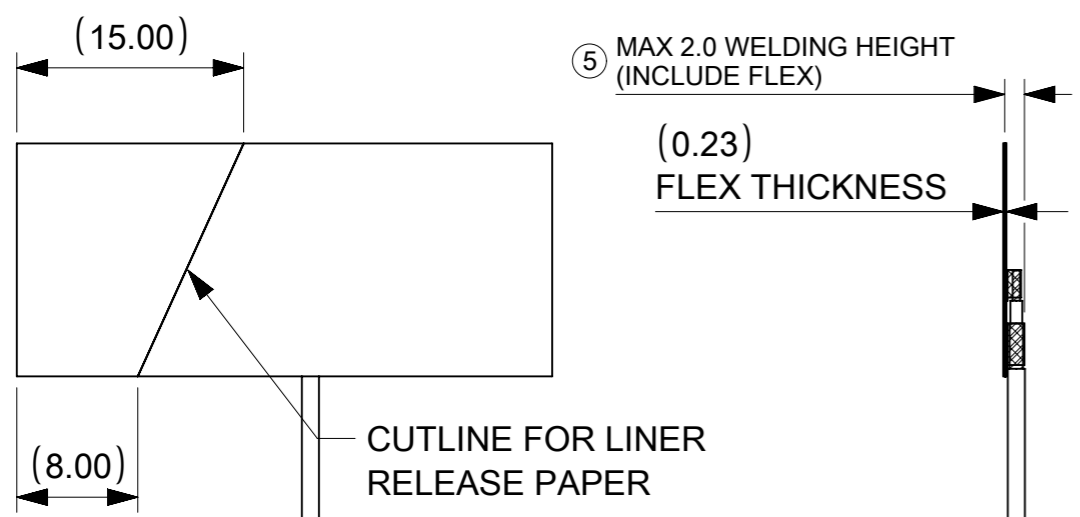


REV	DATE	DESCRIPTION
A	2021/12/15	FIRST RELEASE
A1	2022/08/02	UPDATE NOTES



LTEM	DESCRIPTION
1	FPC
2	CABLE
3	CONNECTOR

LTEM	MATERIAL P/N	"L1"LENGTH	"L2"LENGTH
1	2196110050	43	50
2	2196110100	93	100
3	2196110150	143	150
4	2196110200	193	200
5	2196110250	243	250
6	2196110300	293	300

- NOTES:
- MATERIAL:
CONNECTOR:RF 2.5H MHF-1 CONNECTOR(GOLD PLATED).
FLEX SOLDER MASK:BLACK.
CABLE COLOR:BLACK.
ADHESIVE:3M9077(T:50UM)
 - FOR PULL TEST, CAN NOT LIFT UP IN THE VERTICAL DIRECTION.
 - THE CONNECTOR WILL BE PROTECTED WITH A CAP.

THIS DRAWING CONTAINS INFORMATION THAT IS PROPRIETARY TO MOLEX ELECTRONIC TECHNOLOGIES, LLC AND SHOULD NOT BE USED WITHOUT WRITTEN PERMISSION

DIMENSION UNITS	SCALE	CURRENT REV DESC:		molex	
mm	1:1				
GENERAL TOLERANCES (UNLESS SPECIFIED)		EC NO: 716377		WIFI6E LOW GAIN FLEX ANTENNA	
ANGULAR TOL	± 2.0 °	DRWN: KCHENG06	2022/08/02	PRODUCT CUSTOMER DRAWING	
4 PLACES	±	CHK'D: HORACM1	2022/08/03	DOCUMENT NUMBER	
3 PLACES	± 0.2	APPR: HORACM1	2022/08/03	2196110100	
2 PLACES	± 0.25	INITIAL REVISION:		DOC TYPE	DOC PART
1 PLACE	± 0.3	DRWN: KCHENG06	2021/12/15	PSD	000
0 PLACES	± 0.5	APPR: HORACM1	2021/12/27	REVISION	
DRAFT WHERE APPLICABLE MUST REMAIN WITHIN DIMENSIONS		THIRD ANGLE PROJECTION	DRAWING	SERIES	SHEET NUMBER
			A3-SIZE	219611	1 OF 1