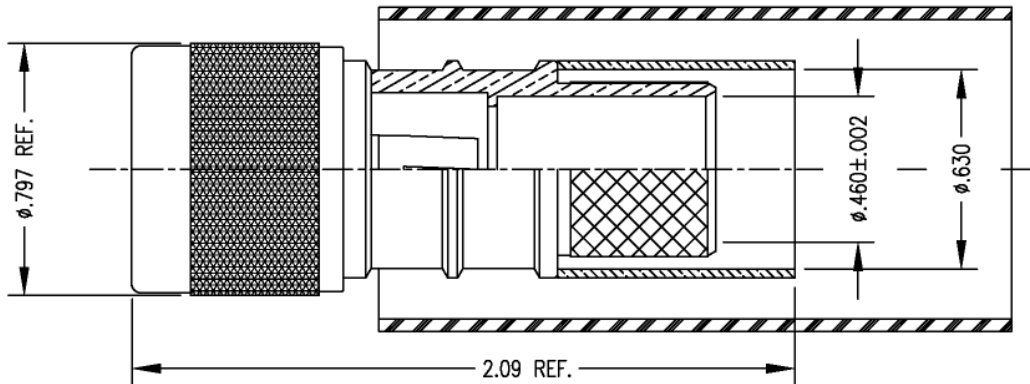


THE REVISION STATUS OF ALL SHEETS OF THIS DRAWING IS THE SAME AS SHEET 1

LTR	DESCRIPTION	DATE	BY
-	Released	11-19-97	JCL
A	Changed per CDC #32450	10/15/10	KAM



1.0 PERFORMANCE

- 1.1 FREQUENCY RANGE: DC-11GHz
- 1.2 VOLTAGE RANGE: 1000V RMS (sea level)
- 1.3 NOMINAL IMPEDANCE: 50 OHMS
- 1.4 DWV: 1500V RMS @ 60Hz (sea level)
- 1.5 TEMPERATURE RANGE: -65°C TO +165°C

2.0 MATERIALS

- 2.1 DIELECTRIC: TEFLON, ASTM-D-1710
- 2.2 CENTER CONTACT: BERYLLIUM COPPER, ASTM-B-196
- 2.3 CRIMP FERRULE: DHP SOFT COPPER, CDA 122, SOFT TEMPER
- 2.4 LOCKING RING: PHOSPHOR BRONZE, ASTM-B-159, ALLOY 510
- 2.5 ALL OTHER METAL PARTS: BRASS, ASTM-B-16
- 2.6 GASKET: SILICON RUBBER, ZZ-R-765, GR. 50, RED
- 2.7 SHRINK SLEEVE: THICK WALL POLYOLEFIN, MIL-I-25053/4, CLASS 3, BLACK

3.0 FINISHES: SEE TABLE

4.0 MECHANICAL

- 4.1 INTERFACE IN ACCORDANCE WITH MIL-STD-348

FINISHES

BODY	CONTACT
SILVER	GOLD

Unless otherwise specified, dimensions are in inches. Tolerances are applicable when specified.

These drawings and specifications contain proprietary information which is the property of Times Microwave Systems.

Approvals		
Drawn	JCL	11-19-97



**TIMES MICROWAVE SYSTEMS**

Wallingford, CT 06492  
 (203) 949-8400; (203) 949-8423.Fax  
 www.timesmicrowave.com

**EZ-600-NMK**

N male (plug)  
 for LMR-600 Cable

Size A	CAGE CODE 68999	Drawing No.: 3190-669
--------	--------------------	--------------------------

Scale: NA	Rev. (A)	Sheet: 1 of 1
-----------	----------	---------------