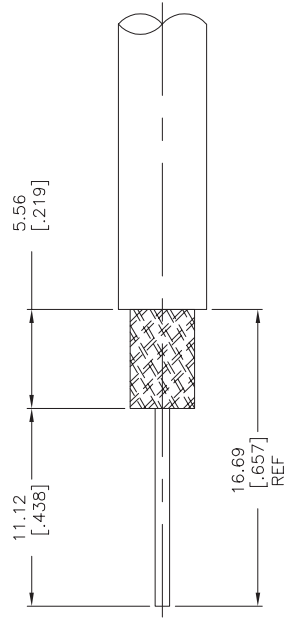
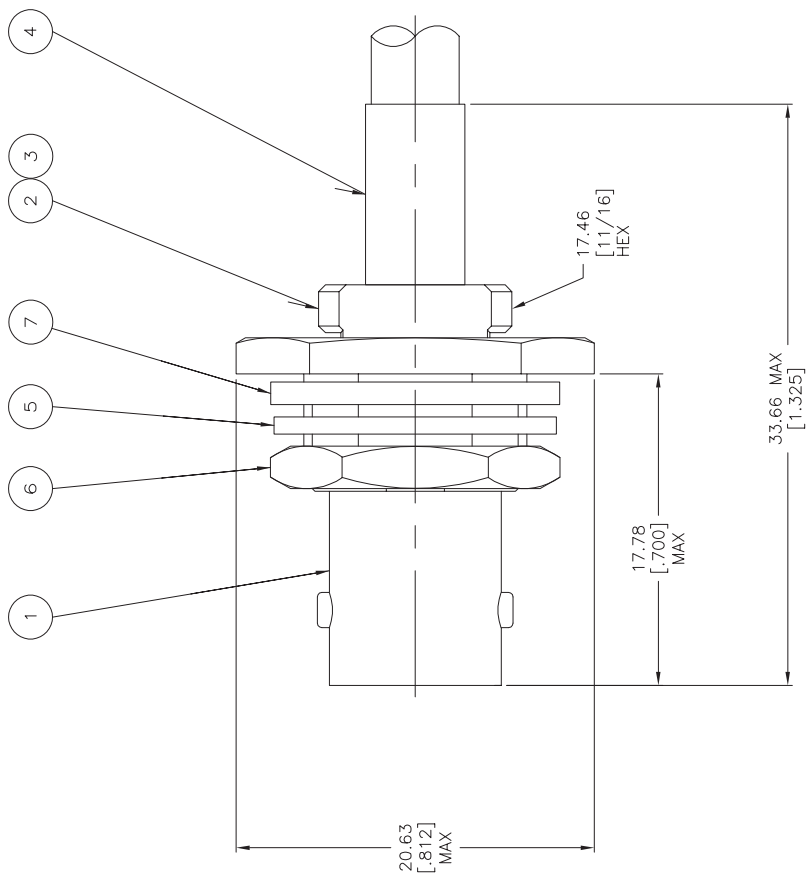
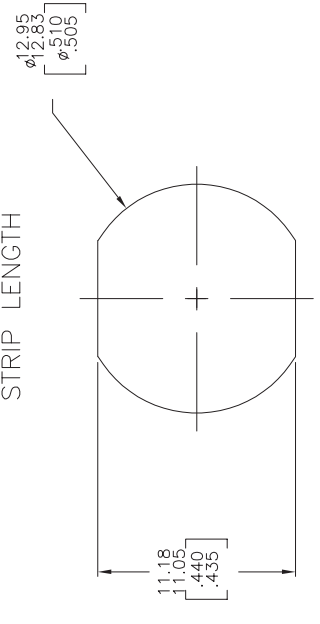


THIS DRAWING IS UNPUBLISHED. RELEASED FOR PUBLICATION BY TYCO ELECTRONICS CORPORATION. ALL RIGHTS RESERVED.		REVISONS	
LOC	DIST	DATE	UN / APD
AJ 16	16	06APR06	CB JH
PF	LINK	REV PER	ECC 06-002539
A			

- FOR USE WITH RG 161/U, 179/U, & 187/U CABLE.
- CRIMP WITH PRO-CRIMPER 354940-1 AND DIE SET 91910-1.
- SEE INSTRUCTION SHEET 408-1799-3.
- PARTS PACKAGED UNASSEMBLED.
- ALLOWABLE PANEL THICKNESS: 0.78-3.18 [.031-.125].



RECOMMENDED CABLE STRIP LENGTH



RECOMMENDED PANEL CUTOUT

329633	9-329631-0	9-329632-0	9-328666-3	9-50793-1	2-329106-1	9-329803-0	2-5329092-1
⑦ GASKET QTY: 1	⑥ JAM NUT QTY: 1	⑤ LOCKWASHER QTY: 1	④ FERRULE QTY: 1	③ CRIMP END ASSY QTY: 1	② GASKET QTY: 1	① JACK ASSEMBLY QTY: 1	PART NUMBER
THIS DRAWING IS A CONTROLLED DOCUMENT. DIMENSIONS: mm [INCHES] 0 P L C ± 0.41 [0.016] 1 P L C ± 0.41 [0.016] 2 P L C ± 0.41 [0.016] 3 P L C ± 0.41 [0.016] ANGLES FINISH MATERIAL TOLERANCES UNLESS OTHERWISE SPECIFIED: ANGLES FINISH MATERIAL DRAWN: J. HAVENER 14SEP2005 CHECKED: J. LIPPERT 14SEP2005 PRODUCT SPEC: APPLICATION SPEC WEIGHT: -- SIZE: A2 00779 CASE CODE: 5329092 Tyco Electronics Corporation Harrisburg, PA 17105-3608 CONNECTOR, COAXIAL, RF, JACK, BULKHEAD, CABLE MOUNT, SERIES BNC RESTRICTED TO							
CUSTOMER DRAWING							
SCALE 1:1 SHEET 1 of 1 REV A							