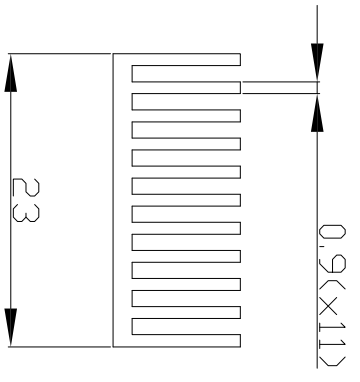
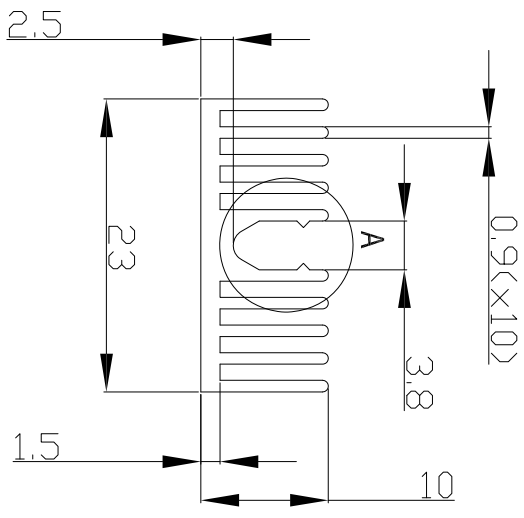
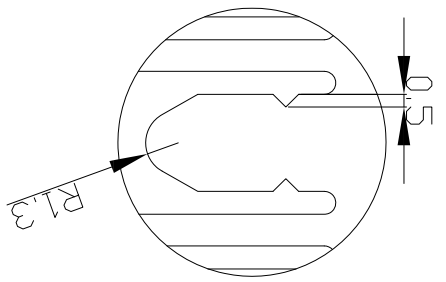


	1	2	3	4	5	6	7																																																																	
A								A																																																																
B								B																																																																
C	<p><b>DETAIL A</b> <b>SCALE 2:1</b></p>							C																																																																
D	<p>Material: AL6063-T5 Finish: Black anodized Free of burrs</p>							D																																																																
E								E																																																																
F								F																																																																
G	<p><b>ROHS compliant</b> Unit: mm</p> <table border="1"> <thead> <tr> <th>Scale</th> <th>Free TOLERANCE</th> <th>Id.</th> <th>Modification</th> <th>Date</th> <th>Name</th> <th>Date</th> <th>Name</th> </tr> </thead> <tbody> <tr> <td></td> <td></td> <td>①</td> <td>Drawn</td> <td>18.05.2018</td> <td>Segal</td> <td>18.05.2018</td> <td>Segal</td> </tr> <tr> <td></td> <td></td> <td></td> <td></td> <td></td> <td></td> <td></td> <td></td> </tr> <tr> <td></td> <td></td> <td></td> <td></td> <td></td> <td></td> <td></td> <td></td> </tr> <tr> <td></td> <td></td> <td></td> <td></td> <td></td> <td></td> <td></td> <td></td> </tr> <tr> <td></td> <td></td> <td></td> <td></td> <td></td> <td></td> <td></td> <td></td> </tr> <tr> <td></td> <td></td> <td></td> <td></td> <td></td> <td></td> <td></td> <td></td> </tr> <tr> <td></td> <td></td> <td></td> <td></td> <td></td> <td></td> <td></td> <td></td> </tr> </tbody> </table>							Scale	Free TOLERANCE	Id.	Modification	Date	Name	Date	Name			①	Drawn	18.05.2018	Segal	18.05.2018	Segal																																																	G
Scale	Free TOLERANCE	Id.	Modification	Date	Name	Date	Name																																																																	
		①	Drawn	18.05.2018	Segal	18.05.2018	Segal																																																																	
H	<table border="1"> <thead> <tr> <th>Unit</th> <th>±</th> <th>TOL</th> <th>Angle</th> </tr> </thead> <tbody> <tr> <td>±0.50</td> <td></td> <td></td> <td></td> </tr> <tr> <td></td> <td></td> <td></td> <td></td> </tr> <tr> <td></td> <td></td> <td></td> <td></td> </tr> <tr> <td></td> <td></td> <td></td> <td></td> </tr> </tbody> </table>							Unit	±	TOL	Angle	±0.50																H																																												
Unit	±	TOL	Angle																																																																					
±0.50																																																																								
	1	2	3	4	5	6	7	HSK0187																																																																



Material: AL6063-T5  
Finish: Black anodized  
Free of burrs



Date	Name
18.05.2018	Segal
18.05.2018	Amy

Customer-No.	ASSMANN WSW-No.	V2272E1
Drawing-No.	ASS 4540 HS	rev00
Replace		Sheet