

NOTE

- 1.MATERIAL : COPPER ALLOY , 0.25T
- 2.FINISHE : PRE-TIN PLATED

PART NO.	WIRE SIZE		INSULATION DIA. (mm)	WIRE SEAL	
	ITEM	(mm ²)		PART NO.	COLOR
35407-6812	AESSXF	0.75	φ1.8 - φ2.0	49093-0002 49093-0012	BLACK BLACK
	AVS/AEXF	0.85	φ2.1 - φ2.3	49093-0003	GRAY
	AVSS	1.25		49093-0013	GRAY
35407-6912	AEXF	1.25	φ2.7 - φ2.9	49093-0004	BLUE
	AVS	1.25	φ2.5 - φ2.6	49093-0014	DARK GRAY
	AVSS	2.0	φ2.6 - φ2.7		

REVISED
 EC NO: KTR2017-0043
 DRWNS:JLEE06 2017/06/09
 CHKD:
 APPR: JHJANG 2017/06/20
 DESCRIPTION

QUALITY SYMBOLS	GENERAL TOLERANCES (UNLESS SPECIFIED)	
	mm	INCH
▽=0	4 PLACES ± ---	± ---
∇=0	3 PLACES ± ---	± ---
	2 PLACES ± ---	± ---
	1 PLACE ± 0.25	± ---
	ANGULAR ± 1 °	

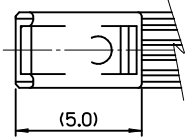
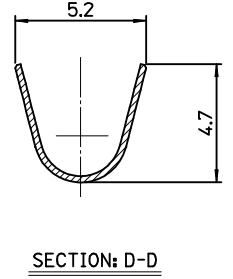
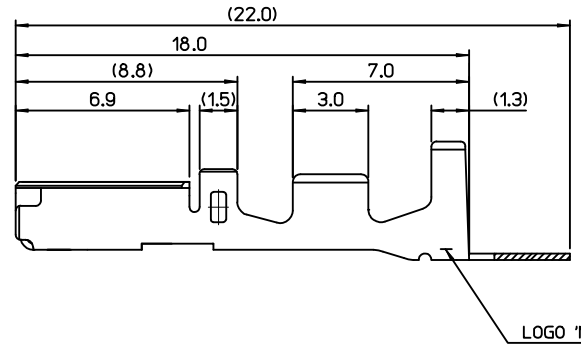
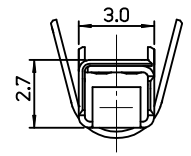
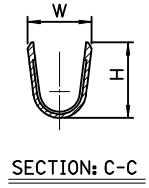
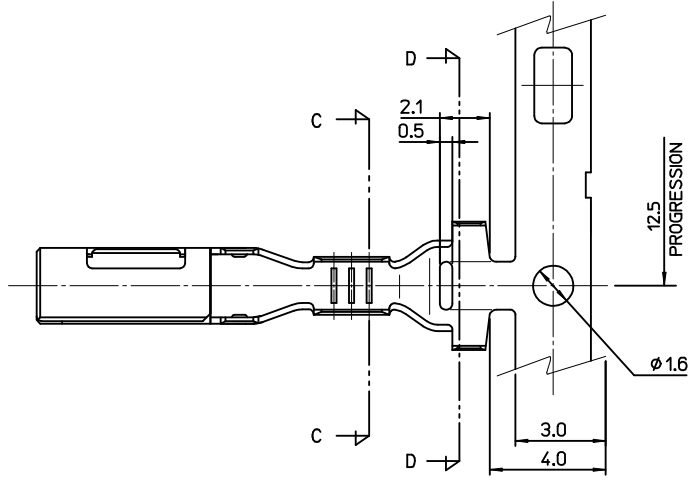
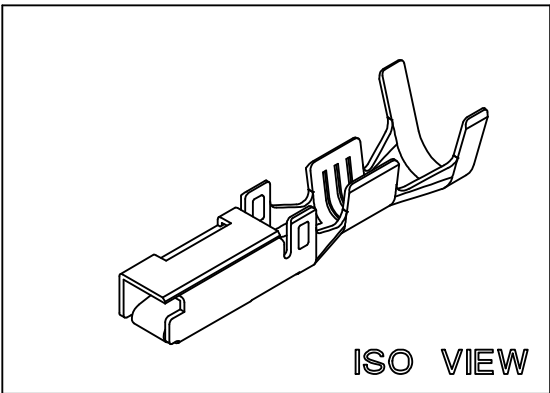
DIMENSION STYLE		SCALE	DESIGN UNITS	THIRD ANGLE PROJECTION
MM ONLY			METRIC	
DRAWN BY	DATE	TITLE		
EOKIM	2007/06/05	.090 SEALED F/TER'L (STICK COIL CONN.)		
CHECKED BY	DATE			
BCYOON	2007/06/05			
APPROVED BY	DATE			
EHJUNG	2007/06/05			

MATERIAL NO.	DOCUMENT NO.	SHEET NO.
		1 OF 01

NO.	MATERIAL NO.	ENG. NO.	TYPE	PART NAME	CABLE SIZE (mm ²)	DIMENSION	
						W	H
1	354076812	35407-6812	M	STICK COIL TER'L	0.75(AVSS) ~ 1.25(AVS)	2.6	3.0
2	354076912	35407-6912	L	STICK COIL TER'L	2.0(AVSS)	4.0	3.5

DRAFT WHERE APPLICABLE
 MUST REMAIN
 WITHIN DIMENSIONS

SEE TABLE
 THIS DRAWING CONTAINS INFORMATION THAT IS PROPRIETARY TO MOLEX INCORPORATED AND SHOULD NOT BE USED WITHOUT WRITTEN PERMISSION



NOTE

- 1.MATERIAL : COPPER ALLOY , 0.25T
- 2.FINISHE : PRE-TIN PLATED

PART NO.	WIRE SIZE		INSULATION DIA. (mm)	WIRE SEAL	
	ITEM	(mm ²)		PART NO.	COLOR
35407-6812	AESSXF	0.75	φ1.8 - φ2.0	49093-0002 49093-0012	BLACK BLACK
	AVS/AEXF	0.85	φ2.1 - φ2.3	49093-0003	GRAY
	AVSS	1.25		49093-0013	GRAY
35407-6912	AEXF	1.25	φ2.7 - φ2.9	49093-0004	BLUE
	AVS	1.25	φ2.5 - φ2.6	49093-0014	DARK GRAY
	AVSS	2.0	φ2.6 - φ2.7		

REVISED
 EC NO: KTR2017-0043
 DRWNS:JLEE06 2017/06/09
 CHKD:
 APPR: JHJANG 2017/06/20
 DESCRIPTION

QUALITY SYMBOLS	GENERAL TOLERANCES (UNLESS SPECIFIED)		DIMENSION STYLE		SCALE	DESIGN UNITS	THIRD ANGLE PROJECTION
	mm	INCH	MM ONLY				
▽=0	4 PLACES	± ---	± ---	DRAWN BY	DATE	TITLE	.090 SEALED F/TER'L (STICK COIL CONN.)
∇=0	3 PLACES	± ---	± ---	EOKIM	2007/06/05		
	2 PLACES	± ---	± ---	CHECKED BY	DATE		
	1 PLACE	± 0.25	± ---	BCYOON	2007/06/05		
	ANGULAR ± 1 °			APPROVED BY	DATE		
	DRAFT WHERE APPLICABLE MUST REMAIN WITHIN DIMENSIONS		SEE TABLE		EHJUNG	2007/06/05	

SIZE	MATERIAL NO.	DOCUMENT NO.	SHEET NO.
A3			1 OF 01
THIS DRAWING CONTAINS INFORMATION THAT IS PROPRIETARY TO MOLEX INCORPORATED AND SHOULD NOT BE USED WITHOUT WRITTEN PERMISSION		MOLEX INCORPORATED SD-35407-003	

NO.	MATERIAL NO.	ENG. NO.	TYPE	PART NAME	CABLE SIZE (mm ²)	DIMENSION	
						W	H
1	354076812	35407-6812	M	STICK COIL TER'L	0.75(AVSS) ~ 1.25(AVS)	2.6	3.0
2	354076912	35407-6912	L	STICK COIL TER'L	2.0(AVSS)	4.0	3.5