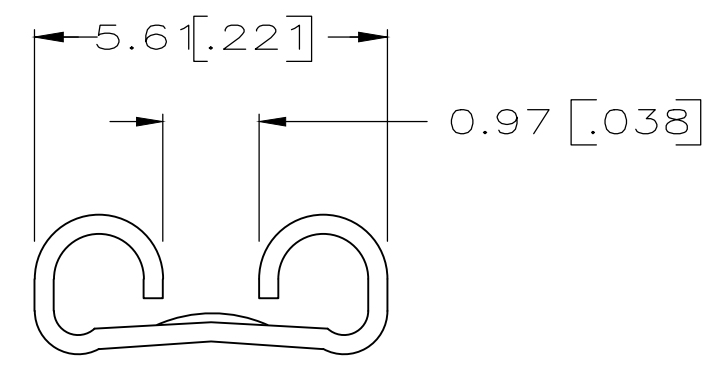
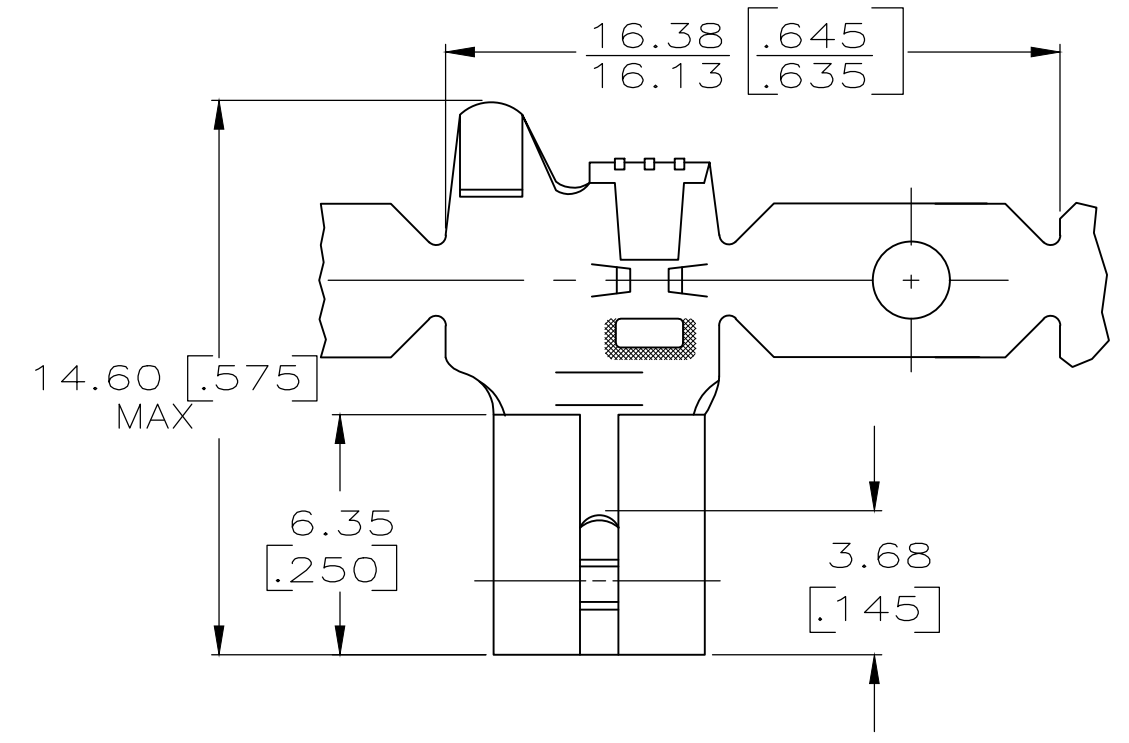
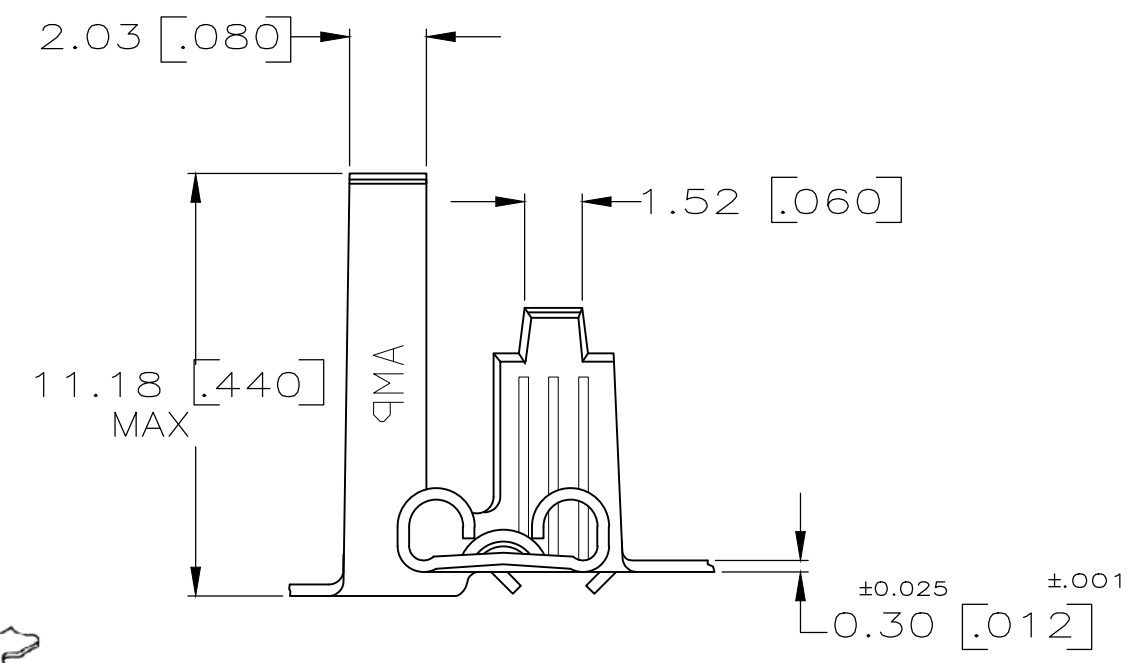


THIS DRAWING IS UNPUBLISHED. RELEASED FOR PUBLICATION
 © COPYRIGHT - By - ALL RIGHTS RESERVED.

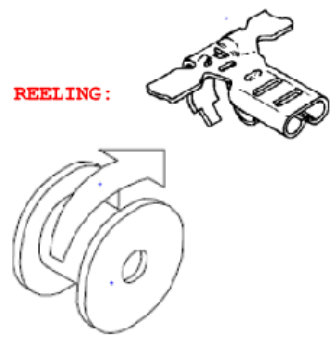
REVISIONS				
P	LTR	DESCRIPTION	DATE	APVD
	R	REVISED PER ECO-19-013963	17SEP2019	RS DH



VIEW A-A



0.002032 [.000080] MIN TIN	△ 6 62817-2
-	62817-1
FINISH	PART NO.



THIS DRAWING IS A CONTROLLED DOCUMENT.		DWN JR RUTH 5/19/87	STE TE Connectivity														
DIMENSIONS: mm [INCHES]		CHK G YETTER 7/9/87															
TOLERANCES UNLESS OTHERWISE SPECIFIED:		APVD R KUZO 7/9/87	NAME RECEPTACLE, FASTON, FLAG, .187 SERIES														
<table border="0"> <tr><td>0 PLC</td><td>± -</td></tr> <tr><td>1 PLC</td><td>± -</td></tr> <tr><td>2 PLC</td><td>± -</td></tr> <tr><td>3 PLC</td><td>± 0.38 [.015]</td></tr> <tr><td>4 PLC</td><td>± -</td></tr> <tr><td>ANGLES</td><td>± -</td></tr> </table>		0 PLC	± -	1 PLC	± -	2 PLC	± -	3 PLC	± 0.38 [.015]	4 PLC	± -	ANGLES	± -	PRODUCT SPEC -	RESTRICTED TO -		
0 PLC	± -																
1 PLC	± -																
2 PLC	± -																
3 PLC	± 0.38 [.015]																
4 PLC	± -																
ANGLES	± -																
MATERIAL BRASS		FINISH SEE TABLE	APPLICATION SPEC -	SIZE A3	CAGE CODE 00779	DRAWING NO C-62817											
CUSTOMER DRAWING			WEIGHT 0.000000	SCALE 5:1	SHEET 1 OF 1	REV R											