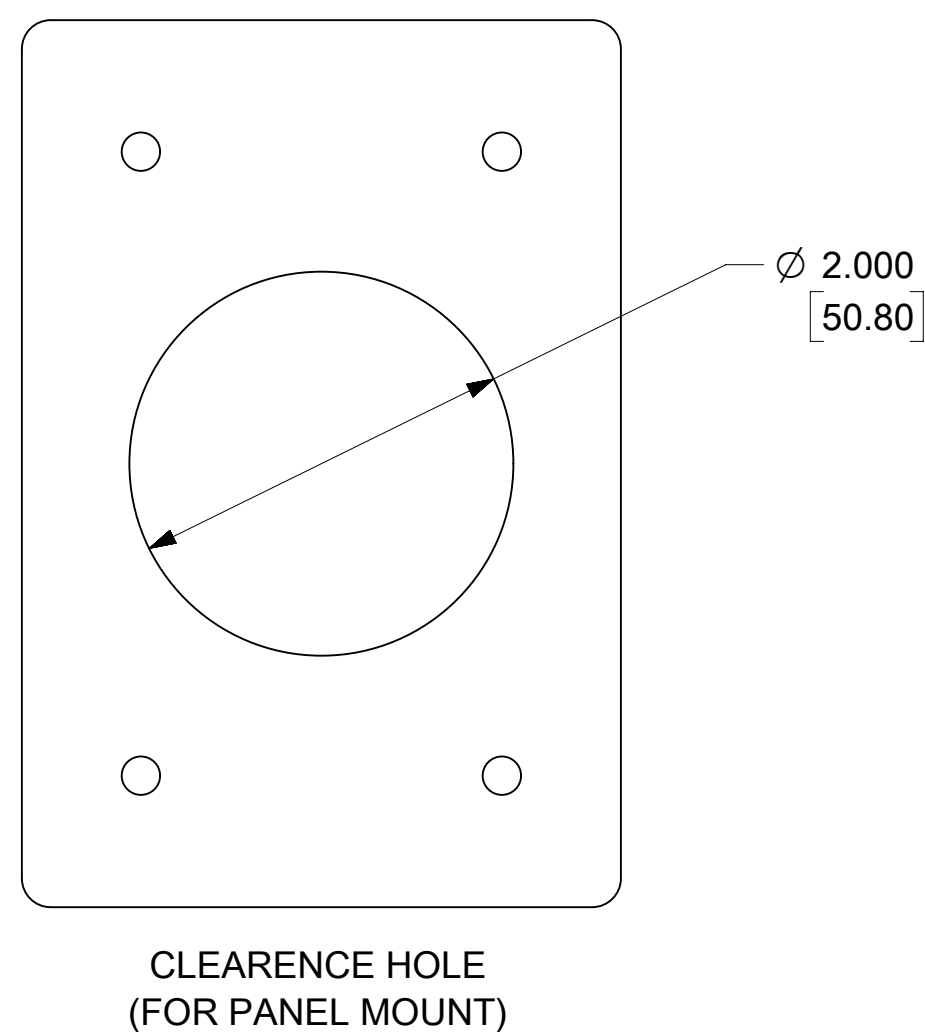
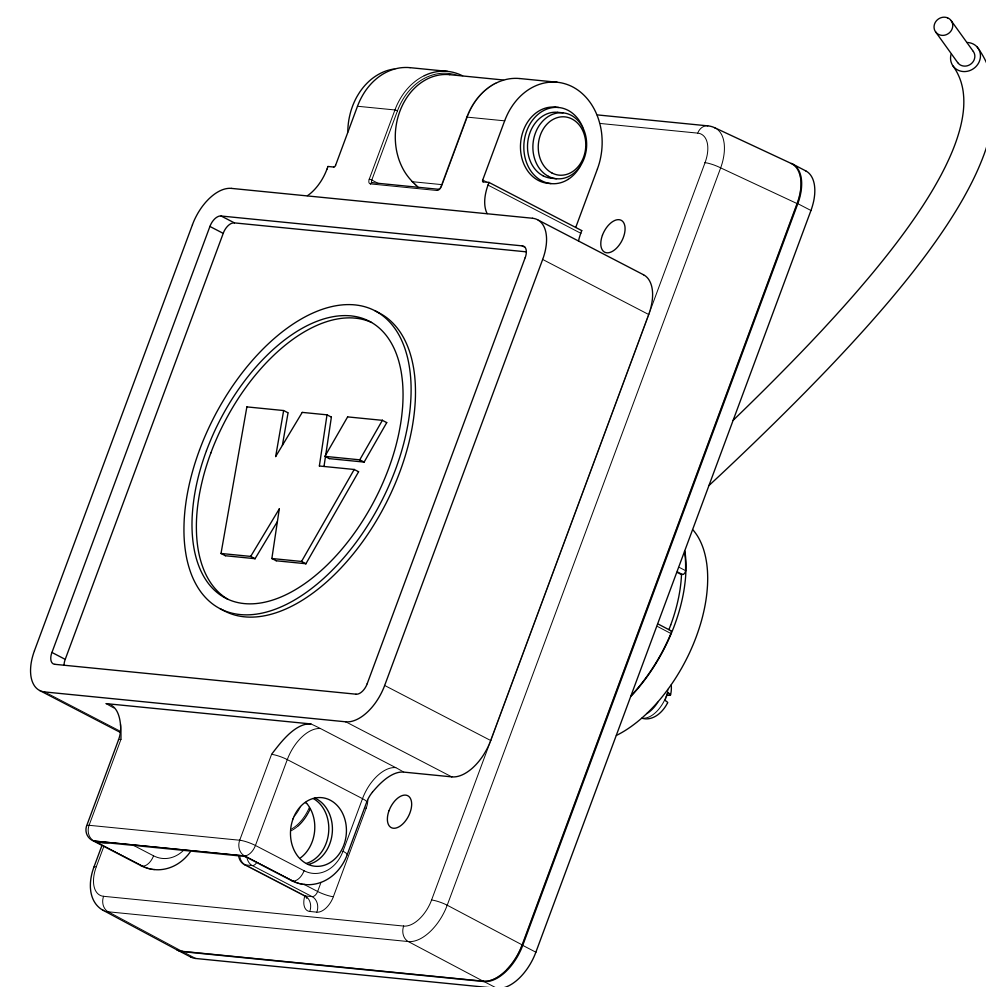
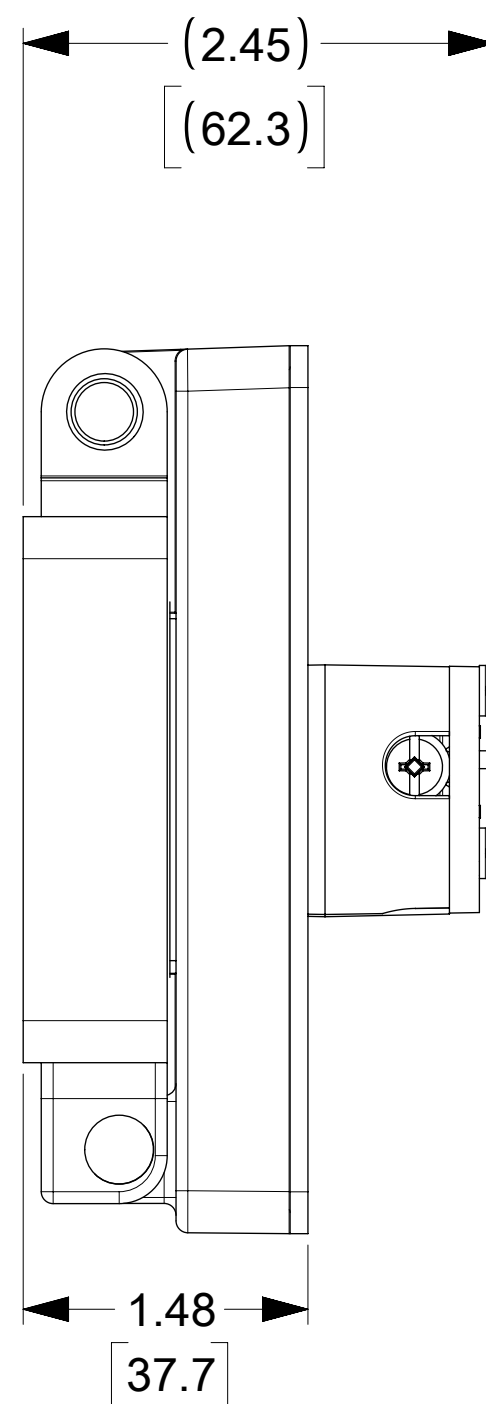
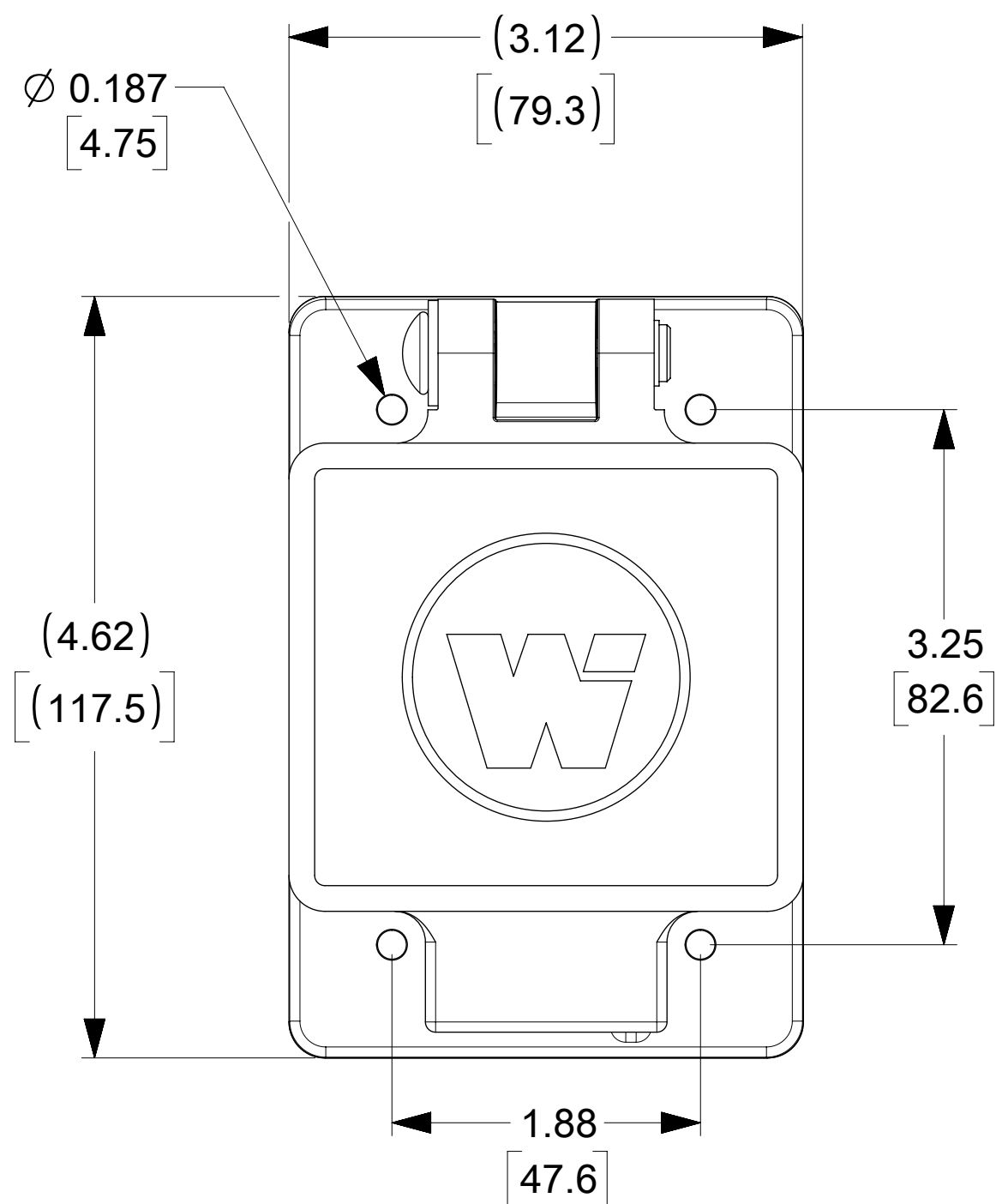


ORDER NO.	WOODHEAD NO.	COLOR
130146-0129	60W47	YELLOW
130146-0130	60W47BLK	BLACK



DESCRIPTION	MATERIAL	QTY.
BLADES	BRASS, NICKEL PLATED	3
RETAINING SCREWS	STAINLESS STEEL	3
CLAMP AND TERMINAL SCREW ASSY.	BRASS, ZINC PLATED	3
FEMALE INSERT	NYLON	1
TERMINAL COVER	POLYCARBONATE	1
COVER ASSEMBLY	POLYCARBONATE, STAINLESS STEEL, ALUMINUM	1
GASKET FLIP	NEOPRENE	1
SUPPORT PLATE	STAINLESS STEEL	1
SCREW (GROUND WIRE)	STAINLESS STEEL	1
JUMPER WIRE ASSY	COPPER, BRASS (TINNED FINISH)	1

THIS DRAWING CONTAINS INFORMATION THAT IS PROPRIETARY TO MOLEX ELECTRONIC TECHNOLOGIES, LLC AND SHOULD NOT BE USED WITHOUT WRITTEN PERMISSION									
SYMBOLS		DIMENSION UNITS		SCALE		CURRENT REV DESC: MIGRATE TO NX/ECTR			
▽ = 0	INCH	MM	NTS			<b>molex</b> WATERTITE FS COVERPLATE 2P3W 5-15 PRODUCT CUSTOMER DRAWING DOCUMENT NUMBER: 1301460129 DOC TYPE: PSD DOC PART: 000 REVISION: A MATERIAL NUMBER: SEE TABLE CUSTOMER: GENERAL MARKET SHEET NUMBER: 1 OF 1			
▽ = 0	GENERAL TOLERANCES (UNLESS SPECIFIED)								
▽ = 0		MM	INCH						
▽ = 0	4 PLACES	±	±						
▽ = 0	3 PLACES	±	±			EC NO: 611802	DRWN: VBASUTHKARP	2018/12/10	
▽ = 0	2 PLACES	±	±			CHK'D: DNGUYEN62	2019/02/22		
▽ = 0	1 PLACE	±	±			APPR: HKNEELAND	2019/03/11		
▽ = 0	0 PLACES	±	±			INITIAL REVISION:			
▽ = 0	ANGULAR TOL	±	°			DRWN: VBASUTHKARP	2018/12/10		
▽ = 0	DRAFT WHERE APPLICABLE MUST REMAIN WITHIN DIMENSIONS			THIRD ANGLE PROJECTION		DRAWING	SERIES	C-SIZE	130146

DOCUMENT STATUS	P1	RELEASE DATE	2019/03/11 20:26:12
-----------------	----	--------------	---------------------