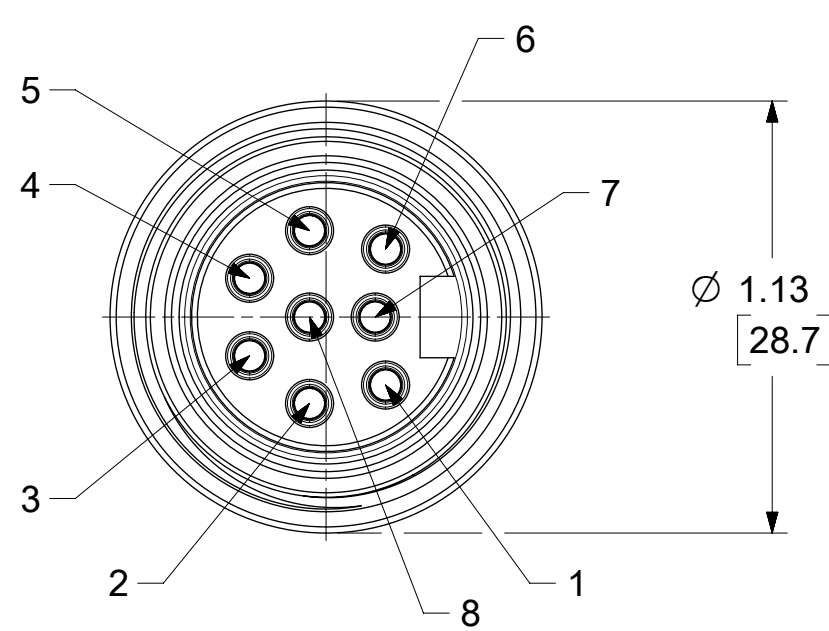
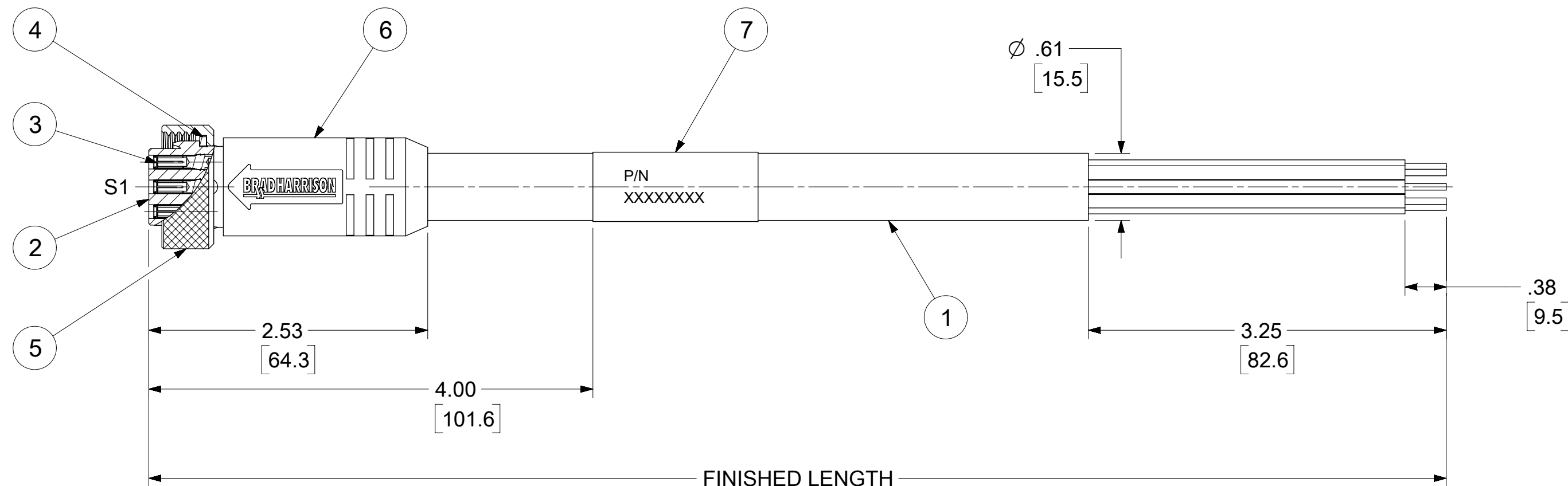


| MATERIAL NO. | ENGINEERING NO. | FINISHED LENGTH |
|--------------|-----------------|-----------------|
| 1300070140 | 208000A01F0301 | 3 FT (0.91 M) |
| 1300070143 | 208000A01F0601 | 6 FT (1.82 M) |
| 1300070146 | 208000A01F1201 | 12 FT (3.65 M) |
| 1300070150 | 208000A01F2001 | 20 FT (6.09 M) |

| CABLE LENGTH TOLERANCES | |
|-------------------------|-------------------------|
| <.3M [1FT] | +19mm-0 [+.75in-0] |
| .3 - .9M [1 - 3FT] | +44.5mm-0 [+1.75in-0] |
| .9 - 1.8M [3 - 6FT] | +55.6mm-0 [+2.19in-0] |
| 1.8 - 3.7M [6 - 12FT] | +88.9mm-0 [+3.50in-0] |
| 3.7 - 7.3M [12 - 24FT] | +165.1mm-0 [+6.50in-0] |
| 7.3-14.6M [24 - 48FT] | +317.5mm-0 [+12.50in-0] |
| 14.6 - 30.5M [48-100FT] | +622.3mm-0 [+24.50in-0] |
| OVER 30M [100FT] | +2% OF FINISHED LENGTH |



FEMALE FACE VIEW
SCALE: 2X



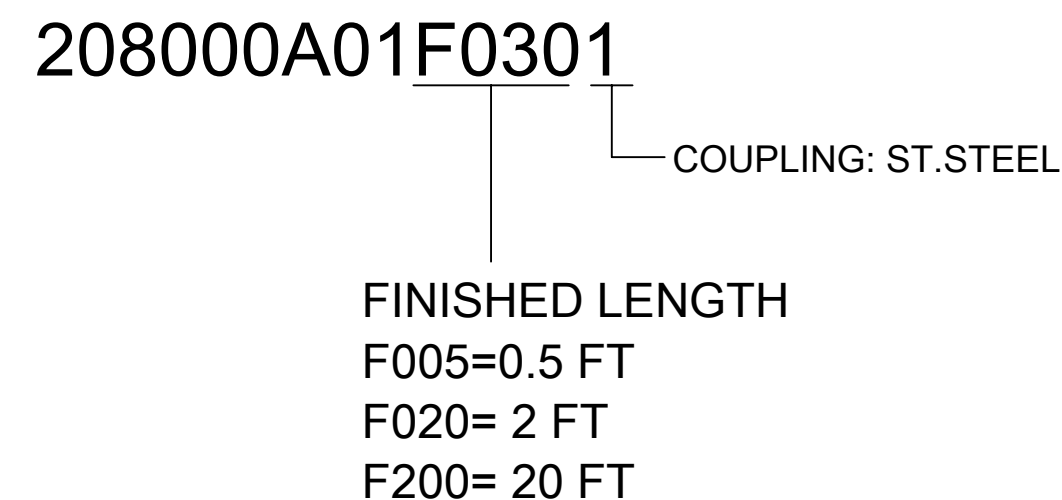
NOTES:

- MATERIAL: AS NOTED
- FINISH: AS NOTED
- ELECTRICAL:
VOLTAGE: 320V PER IEC60664
600V PER UL2238
CURRENT: 7A
- TEMP RATING: -20°C TO +105°C
- PROTECTION: IP67 (WHEN MATED)
- CSA CERTIFIED FILE: LR6837
- UL RECOGNIZED FILE: E152210
- ASSEMBLY IS ROHS COMPLIANT
- ALL DIMS ARE FOR REFERENCE UNLESS TOLERANCED OR NOTED OTHERWISE

WIRING DIAGRAM

| S1 | Color |
|----|--------------|
| 1 | ORANGE |
| 2 | BLUE |
| 3 | WHITE/BLACK |
| 4 | BLACK |
| 5 | WHITE |
| 6 | RED |
| 7 | GREEN/YELLOW |
| 8 | RED/BLACK |

PART NUMBER LEGEND



| ITEM | DESCRIPTION | MATERIAL | FINISH |
|------|-----------------------|------------|------------------|
| 7 | LABEL | VINYL | BLACK/YELLOW |
| 6 | OVERMOLD | TPE | YELLOW |
| 5 | COUPLING NUT | ST.STEEL | PASSIVATED |
| 4 | FRICITION RING | NYLON | WHITE |
| 3 | SOCKET CONTACT | Cu ALLOY | GOLD OVER NICKEL |
| 2 | FEMALE INSERT | TPE | YELLOW |
| 1 | CABLE, 16-8, STOOV/ST | PVC JACKET | YELLOW |

| | | | | | | | | | | | |
|------------------------|---|---------|-------|--|---|-----------------|--|----------|--|--------------|--|
| FUNCTIONAL SYMBOLS | THIS DRAWING CONTAINS INFORMATION THAT IS PROPRIETARY TO MOLEX ELECTRONIC TECHNOLOGIES, LLC AND SHOULD NOT BE USED WITHOUT WRITTEN PERMISSION | | | | | | | | | | |
| | DIMENSION UNITS | | SCALE | | CURRENT REV DESC: INITIAL RELEASE | | | | | | |
| | INCH/MM | | 1:1 | | <p>EC NO: 709518</p> <p>DRWN: RSTONE 2022/06/06</p> <p>CHK'D: MZIELINSKI 2022/06/07</p> <p>APPR: BWOODMAN 2022/06/09</p> <p>INITIAL REVISION:</p> <p>DRWN: RSTONE 2022/06/06</p> <p>APPR: BWOODMAN 2022/06/09</p> | | | | | | |
| | GENERAL TOLERANCES (UNLESS SPECIFIED) | | | | | | | | | | |
| DIVISIONAL SYMBOLS | 4 PLACES | | ± | ± | <p>PRODUCT CUSTOMER DRAWING</p> <p>DOCUMENT NUMBER: 1300070140</p> <p>DOC TYPE: PSD</p> <p>DOC PART: 000</p> <p>REVISION: A</p> | | | | | | |
| | 3 PLACES | | ± | ± | | | | | | | |
| | 2 PLACES | | ± | ± | | | | | | | |
| | 1 PLACE | | ± | ± | | | | | | | |
| 0 PLACES | | ± | ± | <p>ANGULAR TOL ± °</p> <p>DRAFT WHERE APPLICABLE MUST REMAIN WITHIN DIMENSIONS</p> | | | | | | | |
| THIRD ANGLE PROJECTION | | DRAWING | | SERIES | | MATERIAL NUMBER | | CUSTOMER | | SHEET NUMBER | |
| C-SIZE | | 130007 | | SEE TABLE | | GENERAL MARKET | | 1 OF 1 | | | |