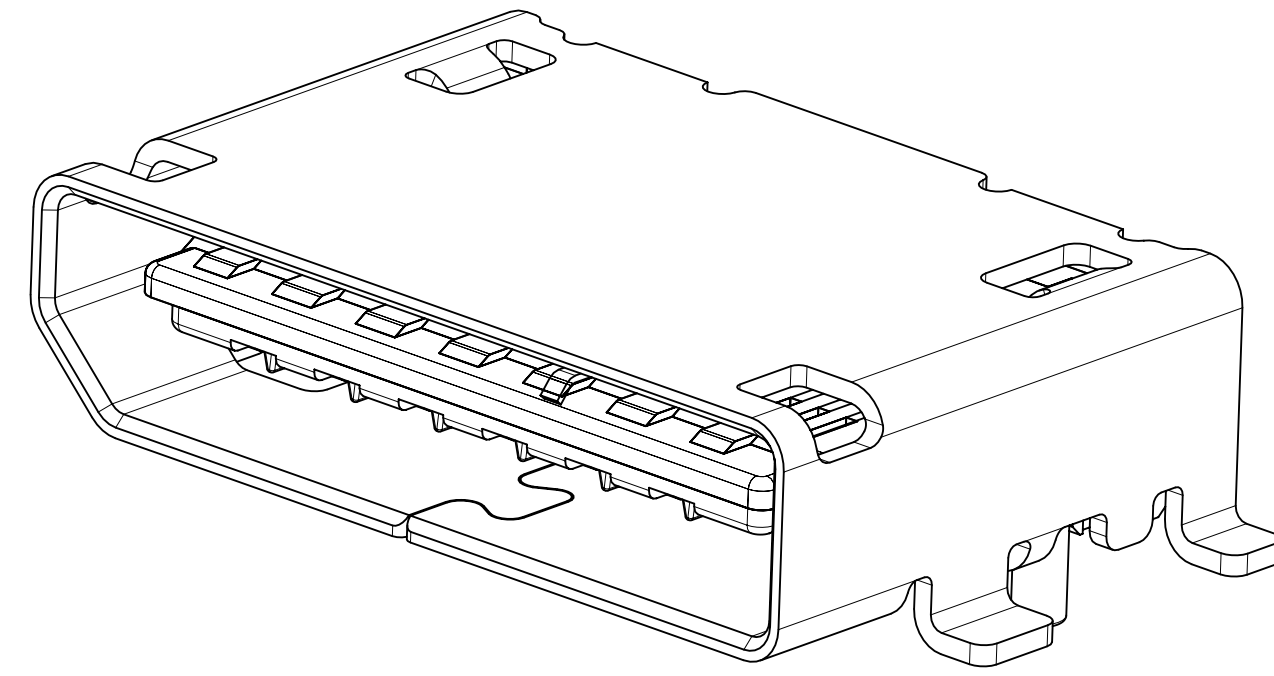
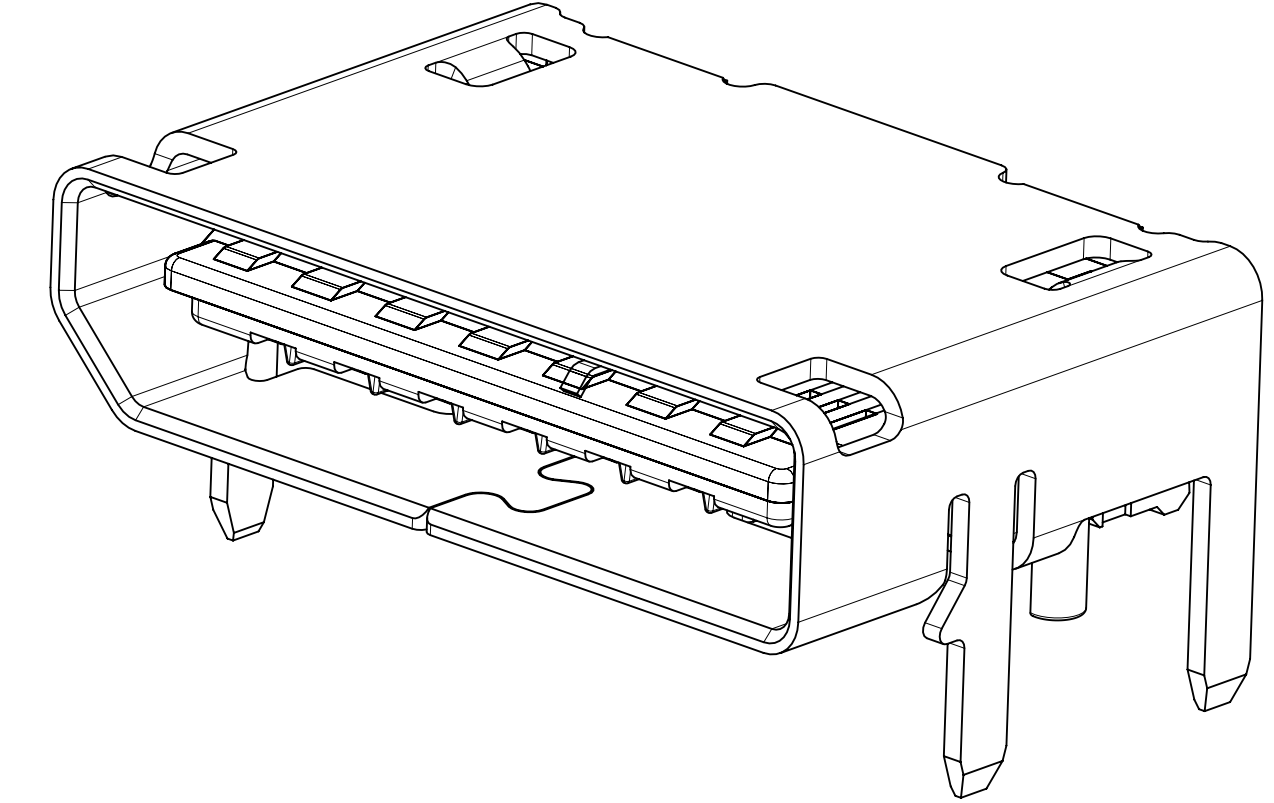


STATUS	MATERIAL NUMBER	SHELL ATTACH OPTION	DIM 'T'
TOOLED	171982-0142	SMT	-
TOOLED	171982-1142	TH	3
TOOLED	171982-2142	TH	2.36
TOOLED	171982-3142	TH	1.57

42 CIRCUIT SMT SHELL




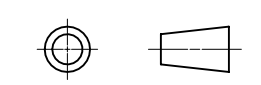
42 CIRCUIT THRU HOLE SHELL



NOTES:

- MATERIALS:**
HOUSING - LCP, GLASS FILLED THERMOPLASTIC, 94V-0
CONTACTS - HIGH PERFORMANCE COPPER ALLOY
SHIELD - STAINLESS STEEL
- FINISH:**
CONTACTS - 0.76µm MIN. GOLD MATING SIDE
0.05µm GOLD FLASH ON SOLDER TAILS
1.27µm MIN. NICKEL UNDERPLATE OVERALL

SHIELD - MATTE TIN OVER 1.27µm MIN. NICKEL
- PRODUCT SPECIFICATION:** PS-171982-0001
- PACKAGING SPECIFICATION:** PK-173307-0001
- MATES WITH:** MOLEX CABLE SERIES 100436
PER INDUSTRY STANDARD PCIe OCuLink OR SFF-8612
- APPLICATION SPECIFICATION:** AS-173162-0001
- COSMETIC SPECIFICATION:** PS-45499-002 CALASS B

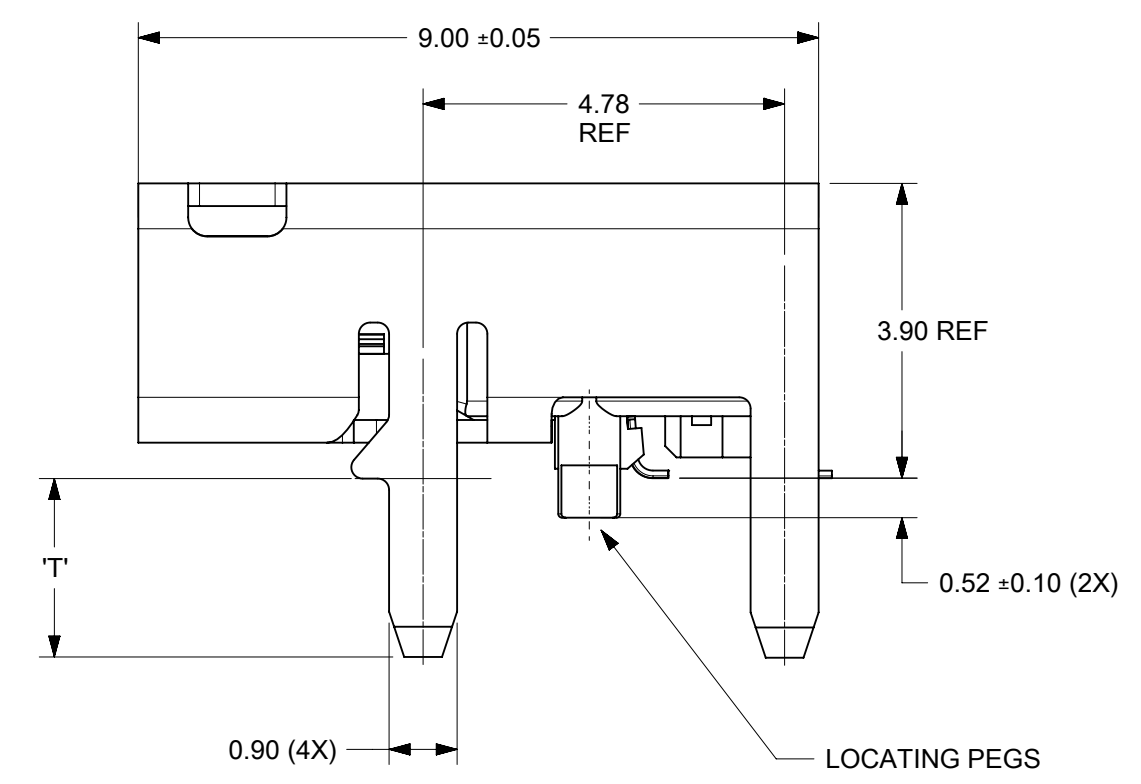
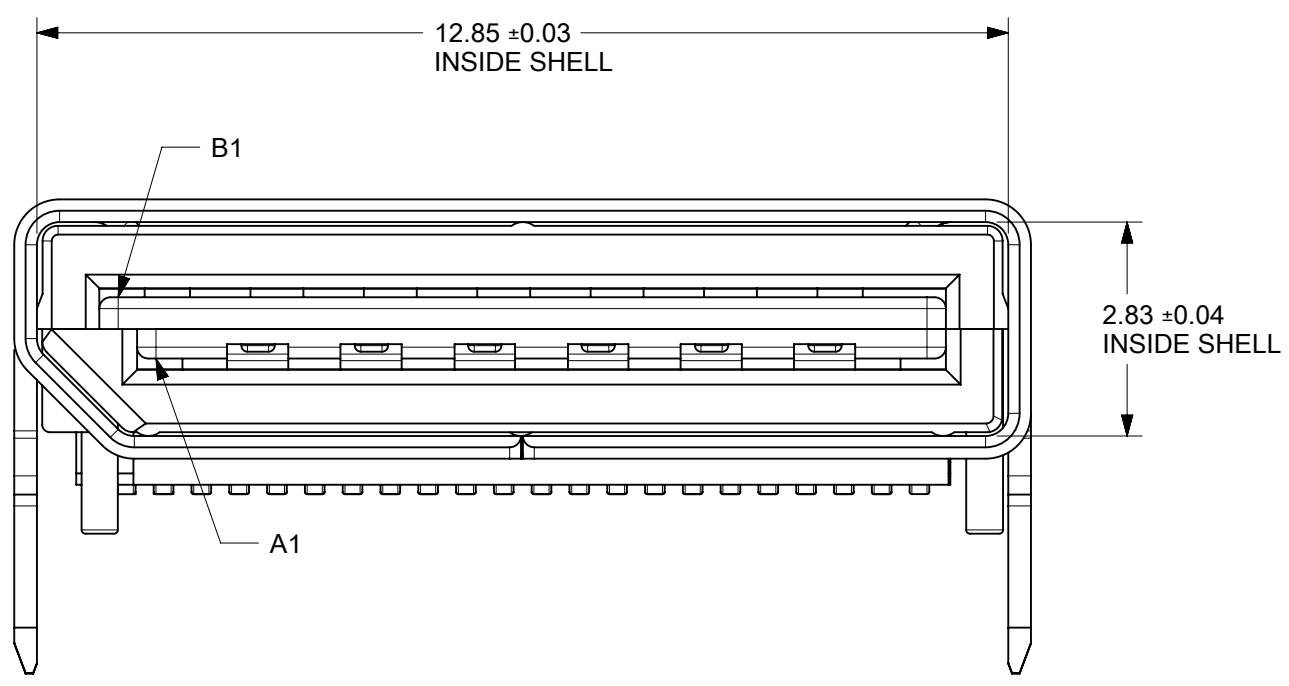
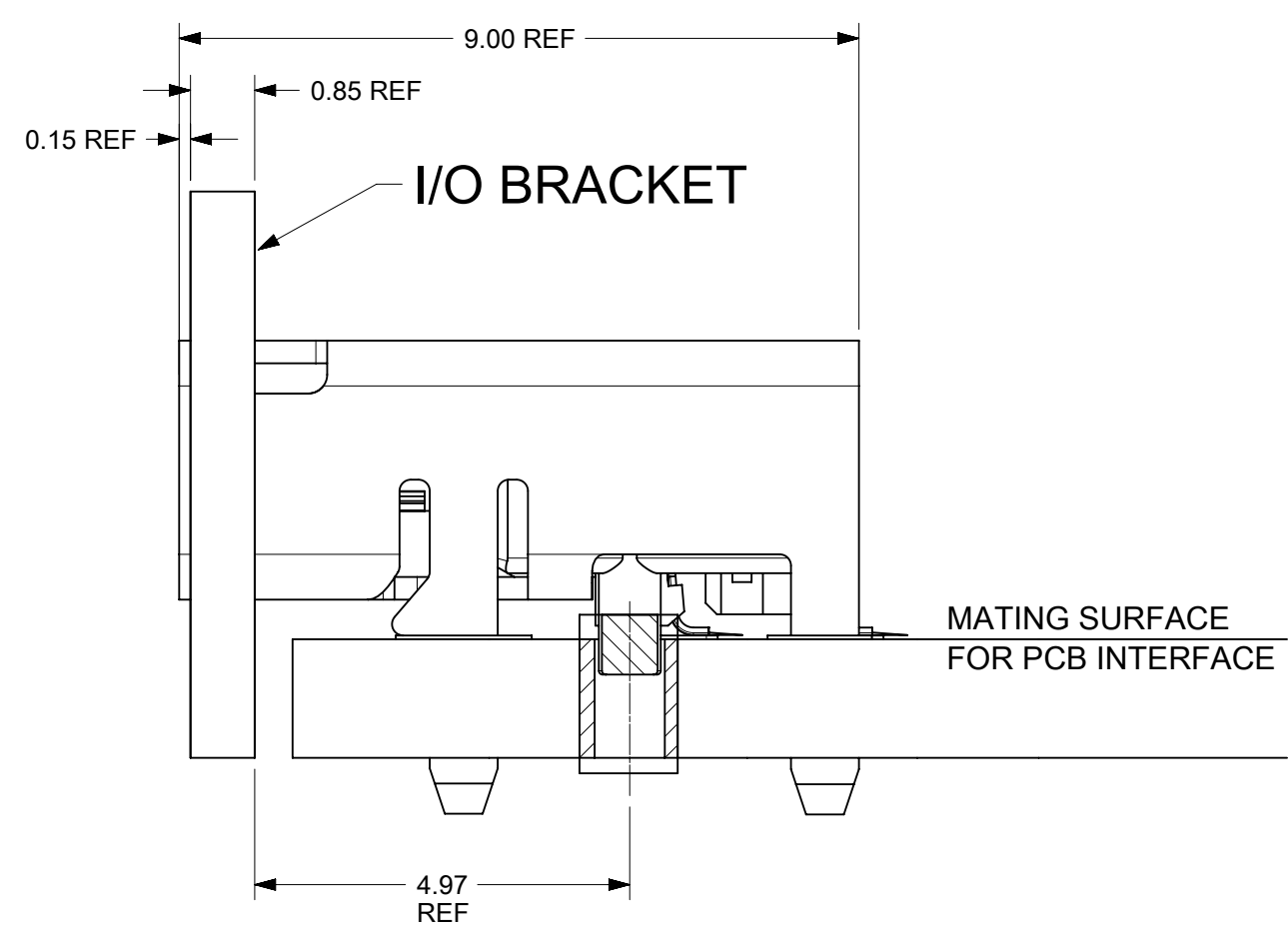
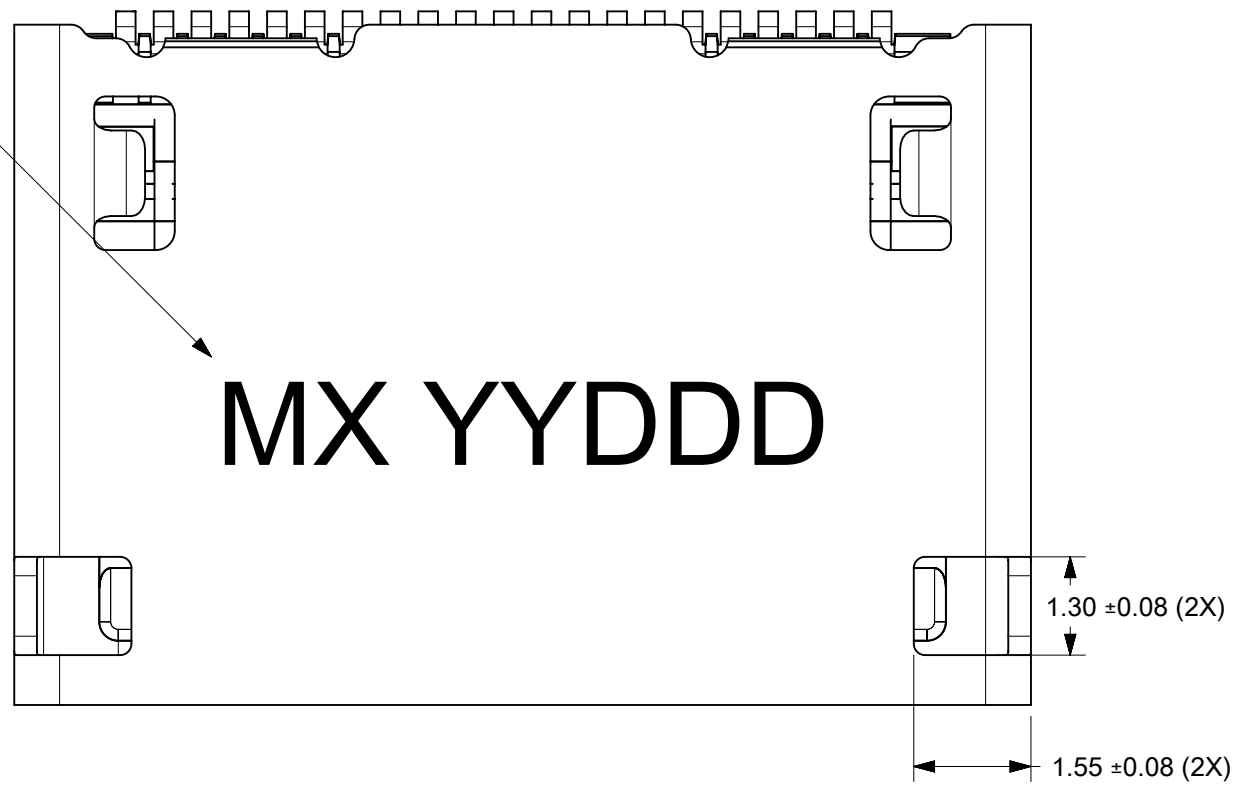
THIS DRAWING CONTAINS INFORMATION THAT IS PROPRIETARY TO MOLEX ELECTRONIC TECHNOLOGIES, LLC AND SHOULD NOT BE USED WITHOUT WRITTEN PERMISSION									
DIMENSION UNITS		SCALE		CURRENT REV DESC:					
mm		10:1							
GENERAL TOLERANCES (UNLESS SPECIFIED)				EC NO: 672997				NANO-PITCH I/O RIGHT ANGLE 4X	
ANGULAR TOL ± 0.5°				DRWN: ABELD2 2021/07/05					
4 PLACES ±				CHK'D: JKACHLIC 2021/08/30				PRODUCT CUSTOMER DRAWING	
3 PLACES ±				APPR: JKACHLIC 2021/08/30					
2 PLACES ± 0.13				INITIAL REVISION:				DOCUMENT NUMBER SD-171982-1000	
1 PLACE ± 0.25				DRWN: MJANTELEZIO 2015/10/21					
0 PLACES ±				APPR: MBANAKIS 2015/11/09				DOC TYPE PSD	
DRAFT WHERE APPLICABLE MUST REMAIN WITHIN DIMENSIONS				THIRD ANGLE PROJECTION		DRAWING		SERIES	
						D-SIZE		171982	
						MATERIAL NUMBER		CUSTOMER	
								GENERAL MARKET	
								SHEET NUMBER	
								1 OF 6	

DOCUMENT STATUS	P1	RELEASE DATE	2021/08/30	09:41:22
-----------------	----	--------------	------------	----------

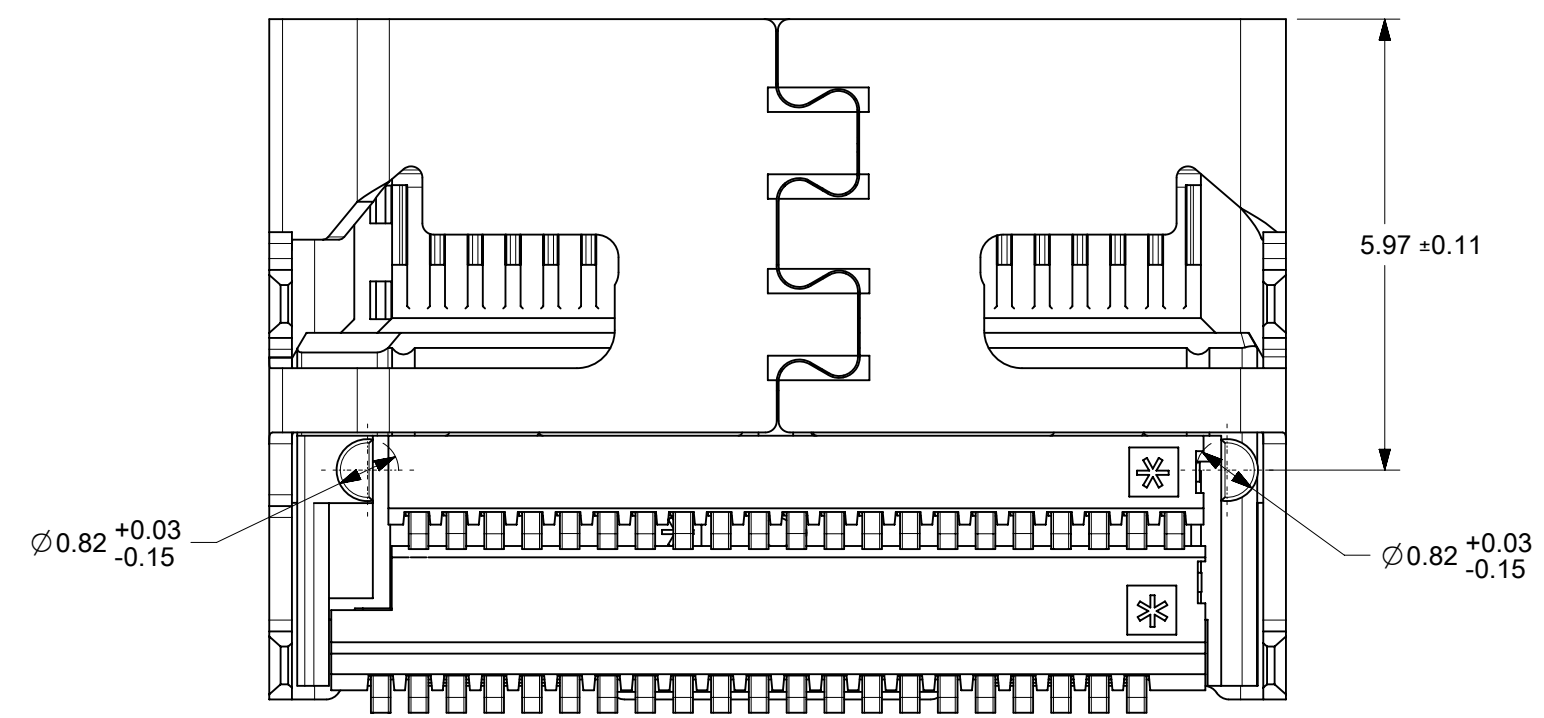
42 CIRCUIT TH ASSEMBLY

EXTERNAL

SEE NOTE #1



- NOTES:
- MANUFACTURED DATE CODE (JULIAN CALENDAR) MX YYDDD
 - DAY OF THE YEAR
 - LAST TWO DIGITS OF THE YEAR
 - MOLEX
 - SOLDER TAIL COPLANARITY 0.10 MAX



FUNCTIONAL SYMBOLS	THIS DRAWING CONTAINS INFORMATION THAT IS PROPRIETARY TO MOLEX ELECTRONIC TECHNOLOGIES, LLC AND SHOULD NOT BE USED WITHOUT WRITTEN PERMISSION		
	DIMENSION UNITS	SCALE	CURRENT REV DESC:
$\frac{E}{A} = 0$	mm	10:1	EC NO: 672997 DRWN: ABELD2 CHK'D: JKACHLIC APPR: JKACHLIC
$\frac{E}{C} = 0$	GENERAL TOLERANCES (UNLESS SPECIFIED)		
$\frac{E}{P} = 0$	ANGULAR TOL ± 0.5°		2021/07/05
#####	4 PLACES ±		2021/08/30
	3 PLACES ±		2021/08/30
	2 PLACES ± 0.13		INITIAL REVISION:
	1 PLACE ± 0.25		DRWN: MJANTELEZIO
	0 PLACES ±		2015/10/21
			2015/11/09
	DRAFT WHERE APPLICABLE MUST REMAIN WITHIN DIMENSIONS	THIRD ANGLE PROJECTION	DRAWING SERIES
			C-SIZE 171982
			MATERIAL NUMBER CUSTOMER SHEET NUMBER
			SD-171982-1000 GENERAL MARKET 2 OF 6

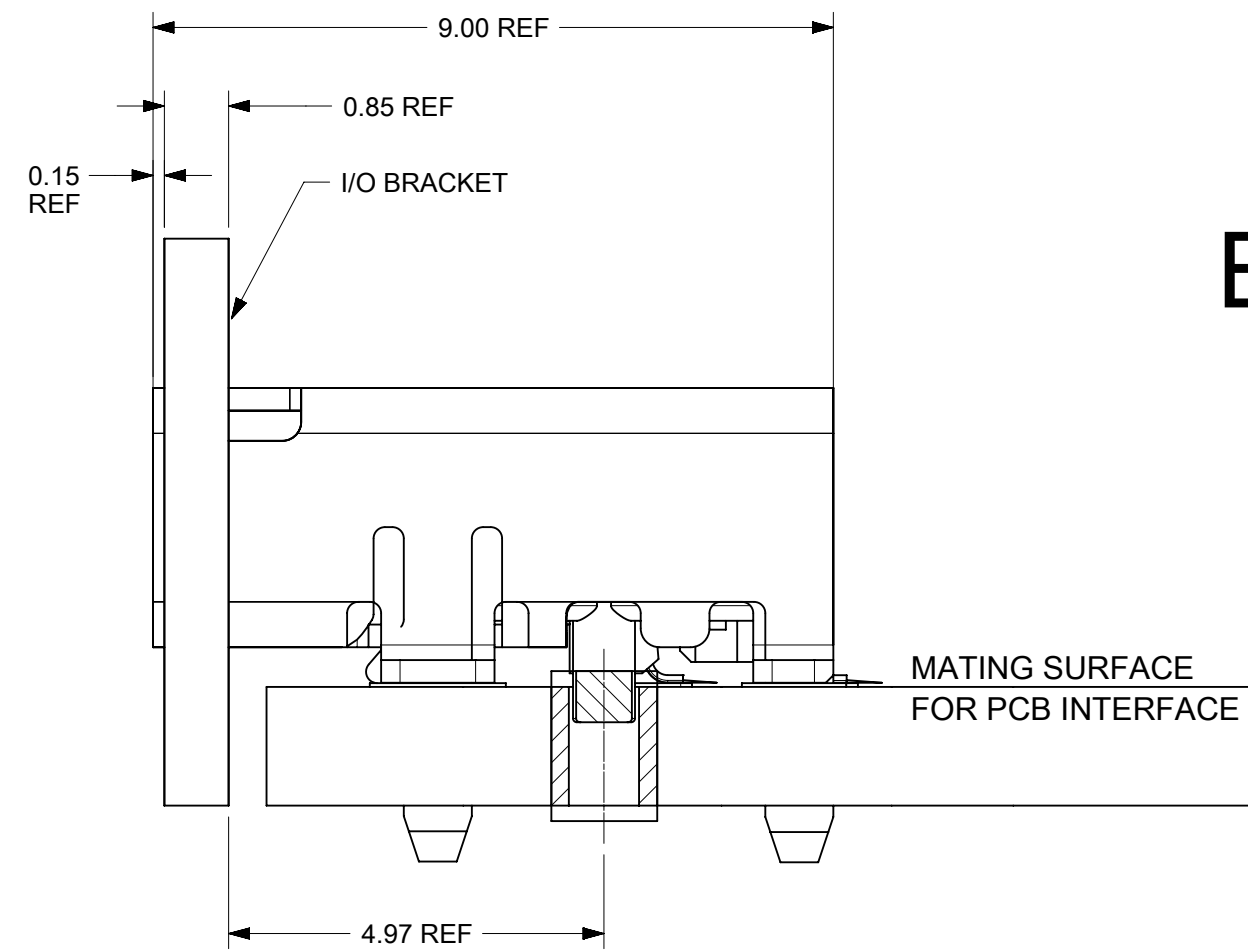
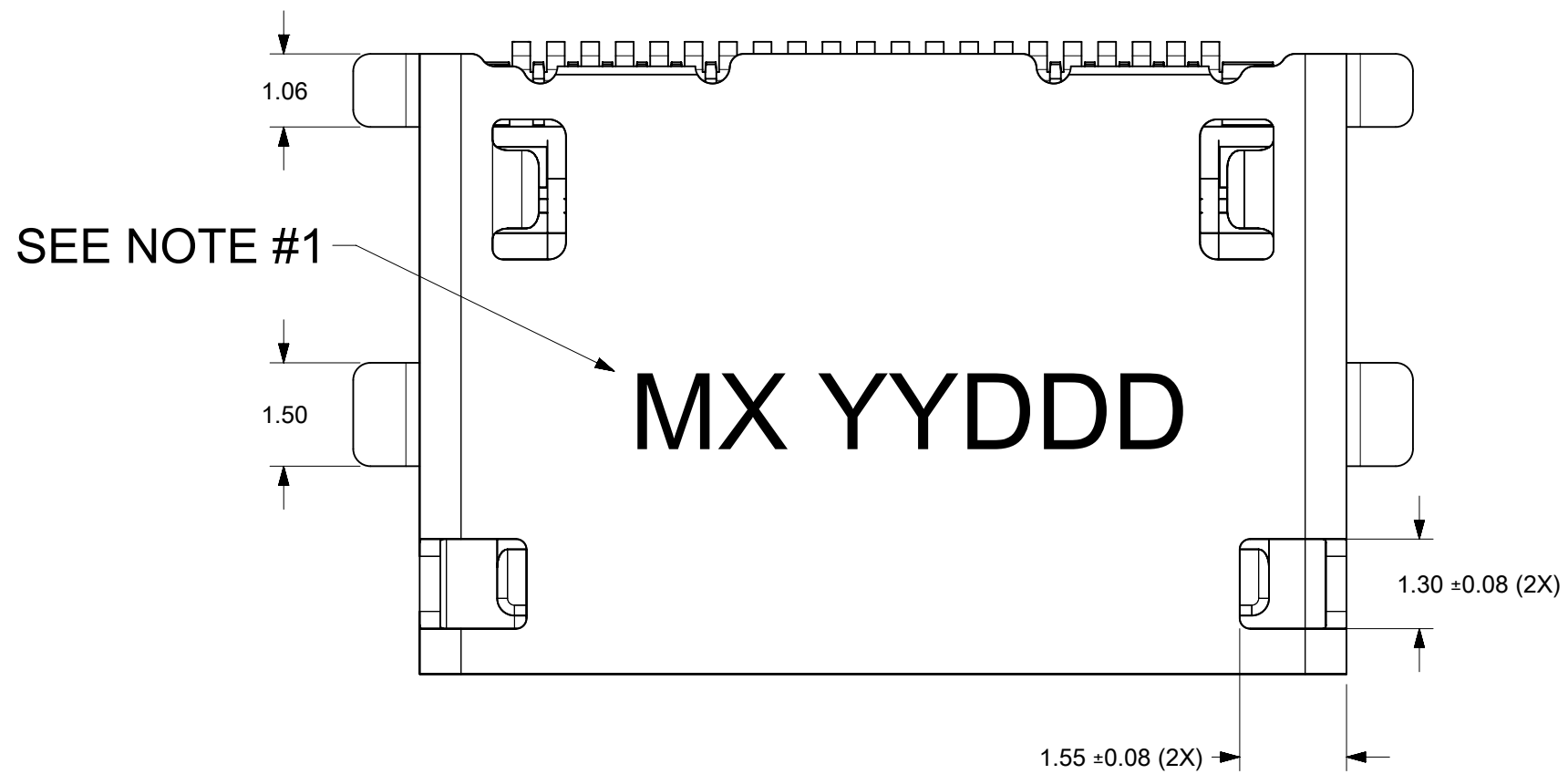
molex

NANO-PITCH I/O
RIGHT ANGLE 4X

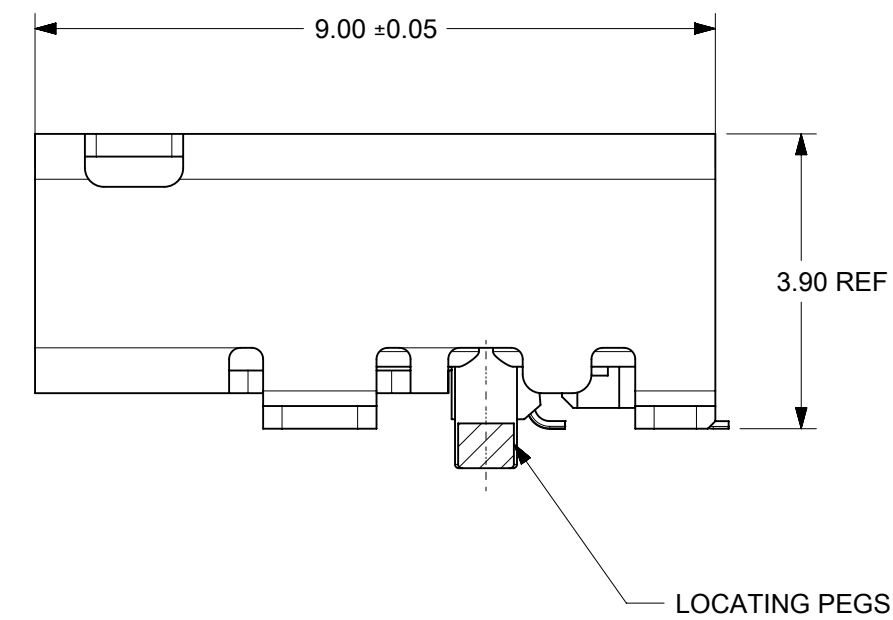
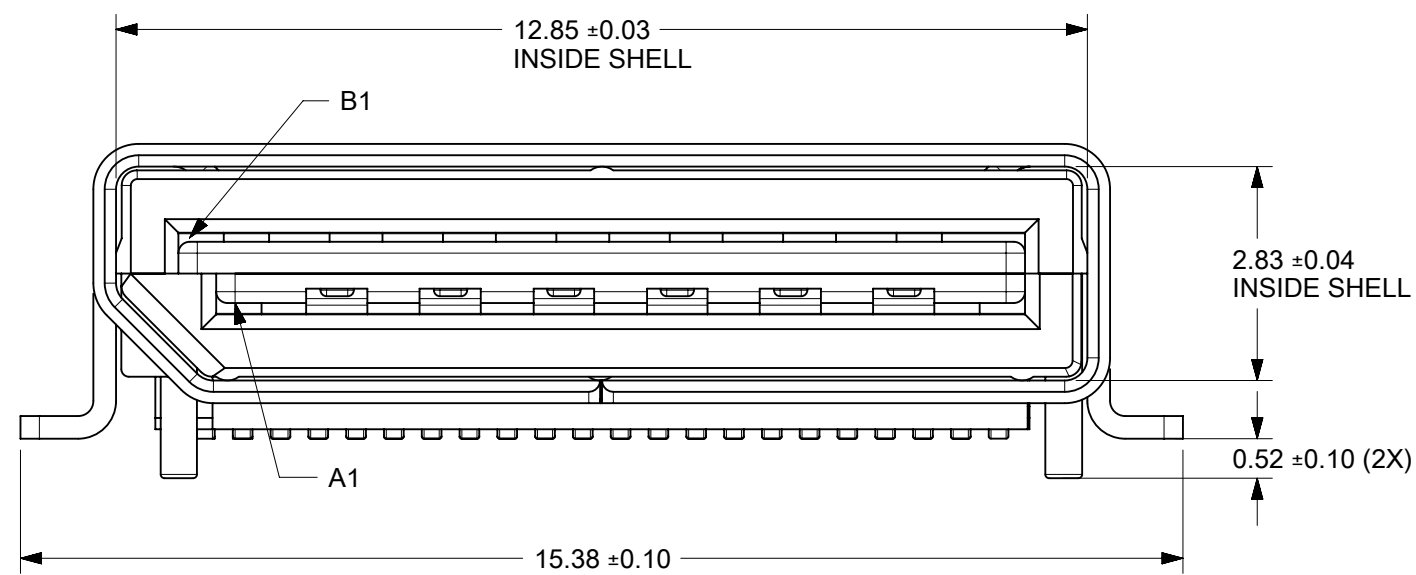
PRODUCT CUSTOMER DRAWING

DOCUMENT NUMBER: SD-171982-1000
DOC TYPE: PSD
DOC PART: 001
REVISION: J2

42 CIRCUIT SMT ASSEMBLY



EXTERNAL



NOTES:

1. MANUFACTURED DATE CODE (JULIAN CALENDAR)

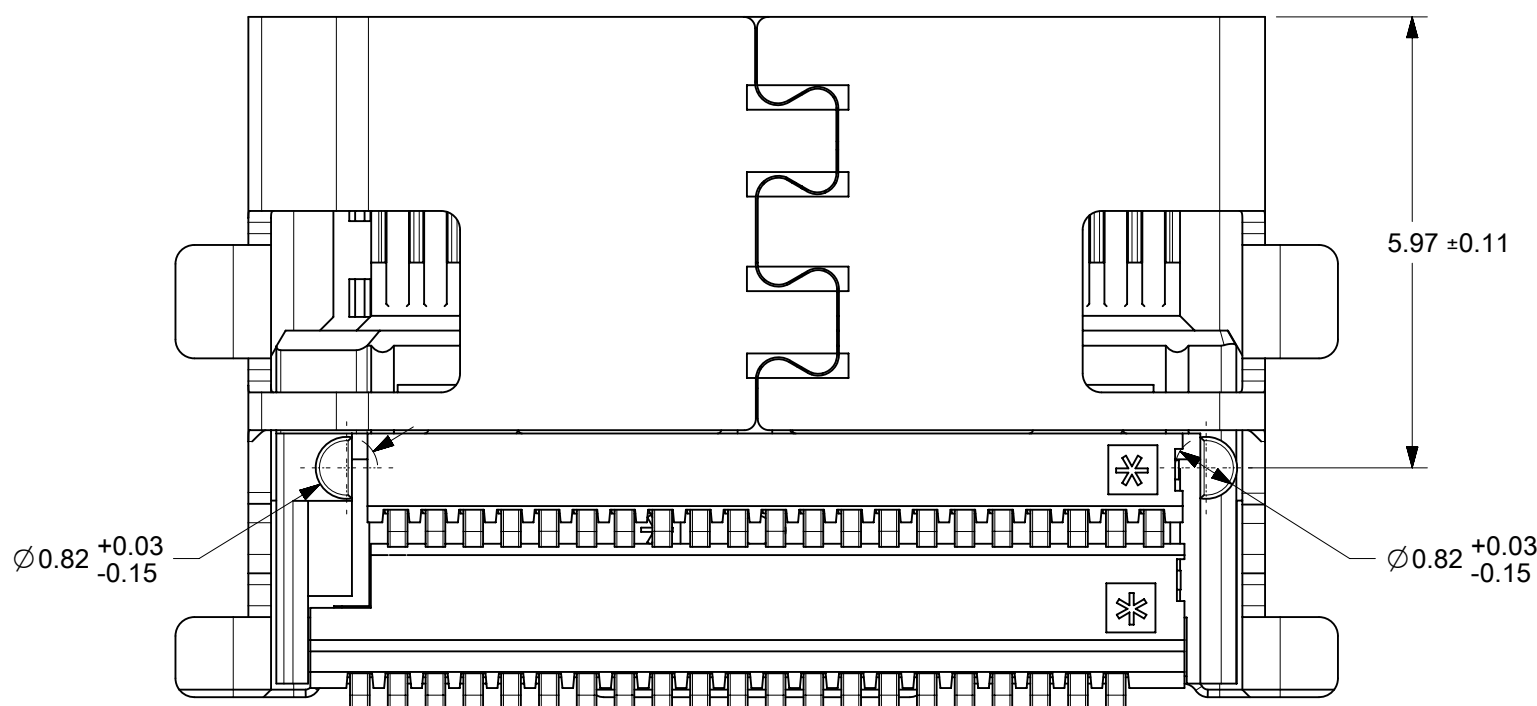
MX YYDDD

DAY OF THE YEAR

LAST TWO DIGITS OF THE YEAR

MOLEX

2. SOLDER TAIL COPLANARITY 0.10 MAX



FUNCTIONAL SYMBOLS	THIS DRAWING CONTAINS INFORMATION THAT IS PROPRIETARY TO MOLEX ELECTRONIC TECHNOLOGIES, LLC AND SHOULD NOT BE USED WITHOUT WRITTEN PERMISSION		
	DIMENSION UNITS	SCALE	CURRENT REV DESC:
$\frac{F}{A} = 0$	mm	10:1	EC NO: 672997 DRWN: ABELD2 CHK'D: JKACHLIC APPR: JKACHLIC
$\frac{F}{C} = 0$	GENERAL TOLERANCES (UNLESS SPECIFIED)		
$\frac{F}{P} = 0$	ANGULAR TOL ± 0.5°		2021/07/05
#####	4 PLACES	±	2021/08/30
	3 PLACES	±	2021/08/30
	2 PLACES	± 0.13	INITIAL REVISION:
	1 PLACE	± 0.25	DRWN: MJANTELEZIO
	0 PLACES	±	2015/10/21
	DRAFT WHERE APPLICABLE MUST REMAIN WITHIN DIMENSIONS		2015/11/09
	THIRD ANGLE PROJECTION	DRAWING	SERIES
		C-SIZE	171982
		MATERIAL NUMBER	CUSTOMER
		SD-171982-1000	GENERAL MARKET
		DOC TYPE	DOC PART
		PSD	001
		REVISION	J2
		SHEET NUMBER	3 OF 6

molex

NANO-PITCH I/O
RIGHT ANGLE 4X

PRODUCT CUSTOMER DRAWING

DOCUMENT NUMBER

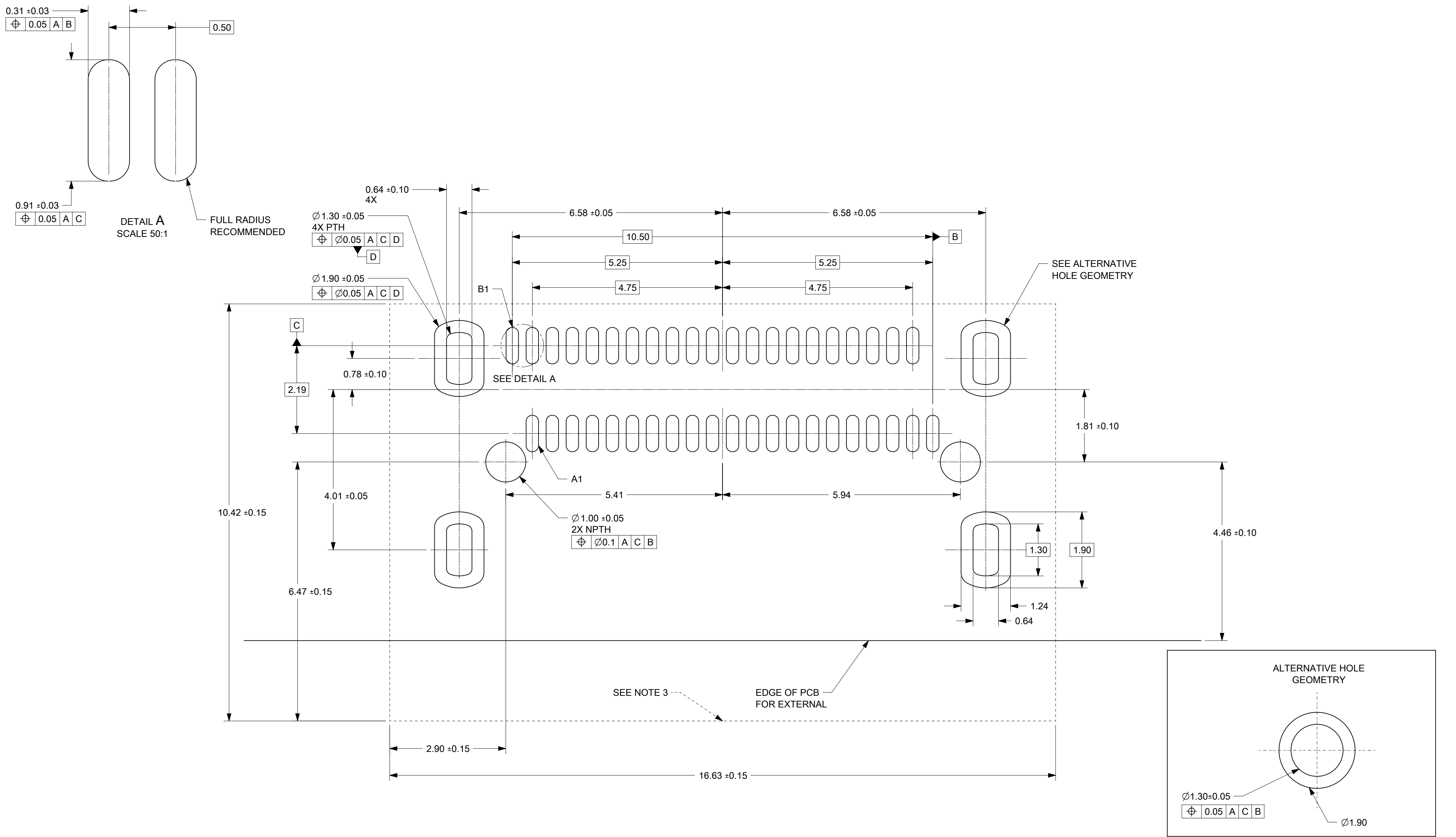
SD-171982-1000

CUSTOMER

GENERAL MARKET

DOCUMENT STATUS P1 RELEASE DATE 2021/08/30 09:41:22

42 CIRCUIT TAIL RECOMMENDED FOOTPRINT

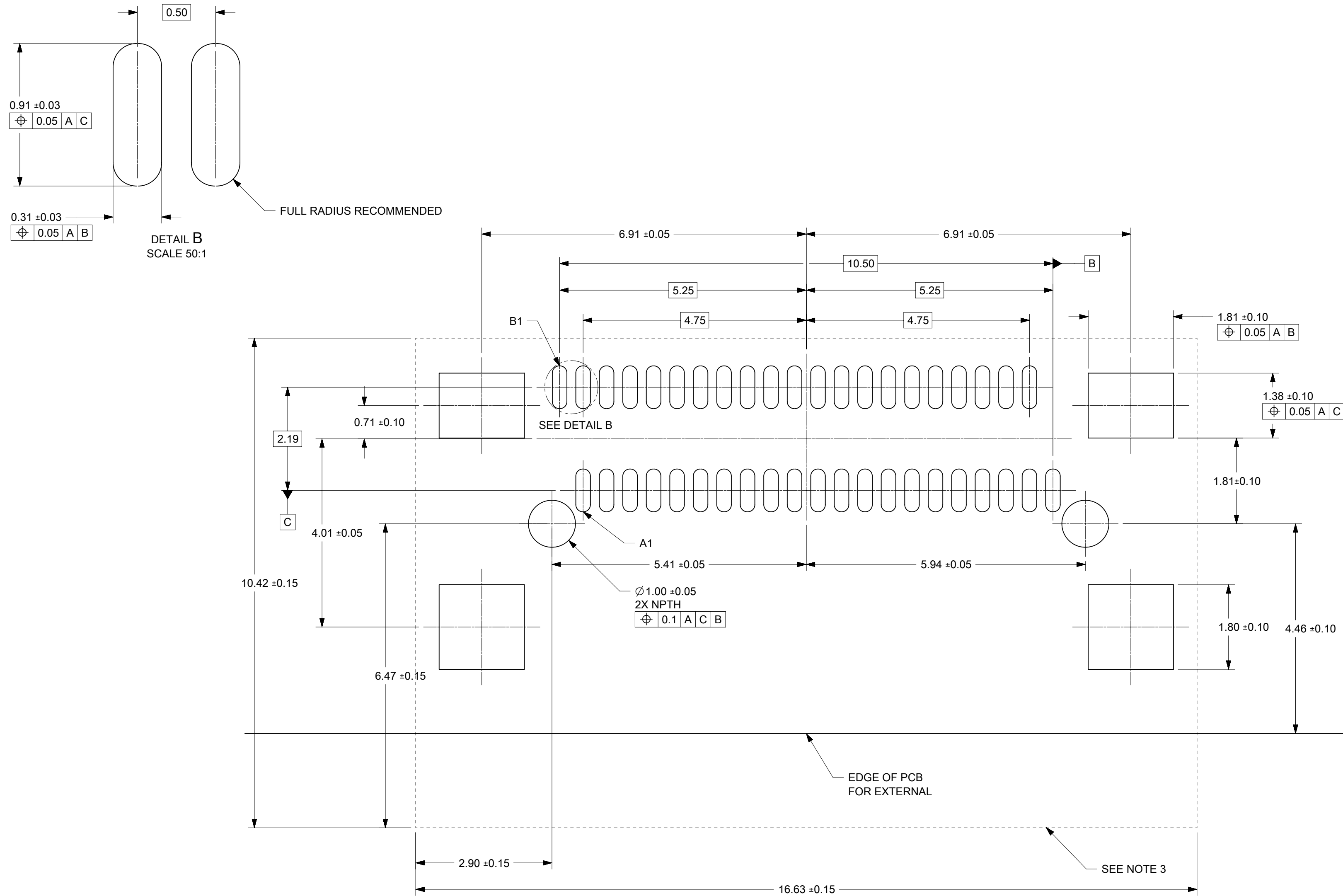


NOTES:

1. MINIMUM RECOMMENDED SPACING BETWEEN ADJACENT CONNECTOR IS 19.05mm
2. MINIMUM RECOMMENDED PCB THICKNESS: 1.57mm
3. CONNECTOR KEEP OUT AREA
4. DATUM -A- ESTABLISHED FROM TOP SURFACE OF PCB

FUNCTIONAL SYMBOLS $\overline{A} = 0$ $\overline{C} = 0$ $\overline{P} = 0$ #####	THIS DRAWING CONTAINS INFORMATION THAT IS PROPRIETARY TO MOLEX ELECTRONIC TECHNOLOGIES, LLC AND SHOULD NOT BE USED WITHOUT WRITTEN PERMISSION		CURRENT REV DESC:		
	DIMENSION UNITS: mm	SCALE: 15:1	molex		
	GENERAL TOLERANCES (UNLESS SPECIFIED)		NANO-PITCH I/O RIGHT ANGLE 4X		
	ANGULAR TOL $\pm 0.5^\circ$		PRODUCT CUSTOMER DRAWING		
4 PLACES \pm	EC NO: 672997	DRWN: ABELD2	2021/07/05	DOCUMENT NUMBER	
3 PLACES \pm	CHK'D: JKACHLIC	APPR: JKACHLIC	2021/08/30	DOC TYPE DOC PART REVISION	
2 PLACES ± 0.13	INITIAL REVISION:	SD-171982-1000			
1 PLACE ± 0.25	DRWN: MJANTELEZIO	2015/10/21	PSD	001	
0 PLACES \pm	APPR: MBANAKIS	2015/11/09	J2	SHEET NUMBER	
DRAFT WHERE APPLICABLE MUST REMAIN WITHIN DIMENSIONS	THIRD ANGLE PROJECTION	DRAWING: C-SIZE	SERIES: 171982	MATERIAL NUMBER: GENERAL MARKET	
		SHEET NUMBER: 4 OF 6			

42 CIRCUIT SMT RECOMMENDED FOOTPRINT



NOTES:

1. MINIMUM RECOMMENDED SPACING BETWEEN ADJACENT CONNECTOR IS 19.05mm
2. MINIMUM RECOMMENDED PCB THICKNESS: 1.57mm
3. CONNECTOR KEEP OUT AREA
4. DATUM -A- ESTABLISHED FROM TOP SURFACE OF PCB

FUNCTIONAL SYMBOLS	THIS DRAWING CONTAINS INFORMATION THAT IS PROPRIETARY TO MOLEX ELECTRONIC TECHNOLOGIES, LLC AND SHOULD NOT BE USED WITHOUT WRITTEN PERMISSION		CURRENT REV DESC:						
	DIMENSION UNITS	SCALE							EC NO: 672997
$\frac{F}{A} = 0$	mm	15:1	DRWN: ABELD2	2021/08/30	PRODUCT CUSTOMER DRAWING				
$\frac{F}{C} = 0$	GENERAL TOLERANCES (UNLESS SPECIFIED)		CHK'D: JKACHLIC	2021/08/30	DOCUMENT NUMBER				
$\frac{F}{P} = 0$	ANGULAR TOL ± 0.5°		APPR: JKACHLIC	2021/08/30	SD-171982-1000		DOC TYPE	DOC PART	REVISION
#####	4 PLACES ±		INITIAL REVISION:	2015/10/21	PSD		001	J2	
	3 PLACES ±		DRWN: MJANTELEZIO	2015/11/09	GENERAL MARKET		SHEET NUMBER		
	2 PLACES ± 0.13		APPR: MBANAKIS		5 OF 6				
	1 PLACE ± 0.25		DRAFT WHERE APPLICABLE MUST REMAIN WITHIN DIMENSIONS		THIRD ANGLE PROJECTION		DRAWING		SERIES
	0 PLACES ±		C-SIZE		171982				

