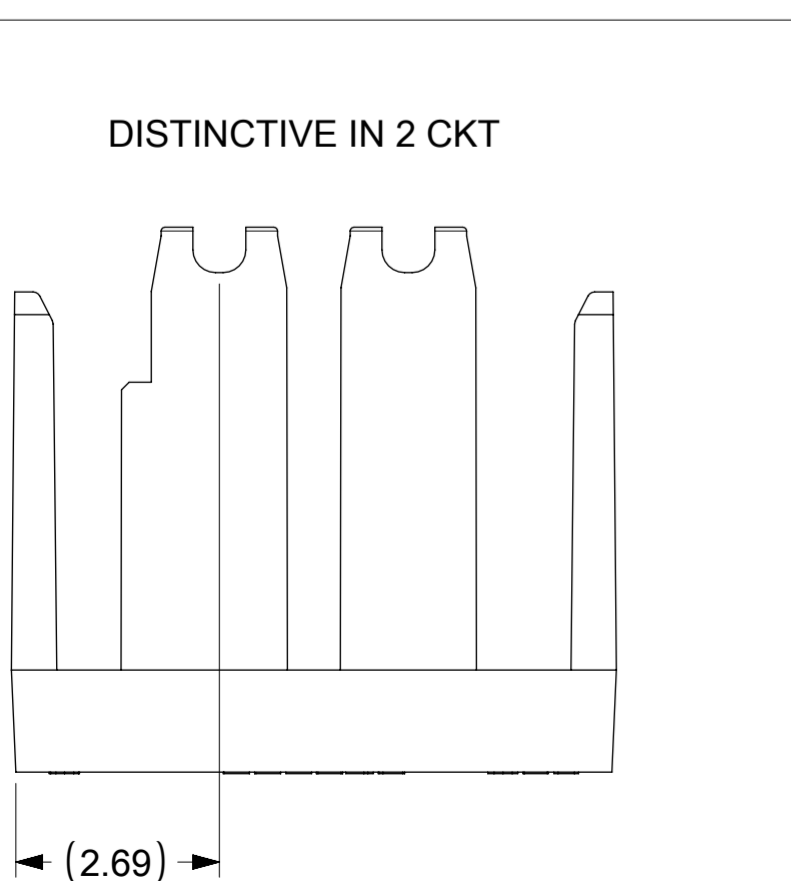
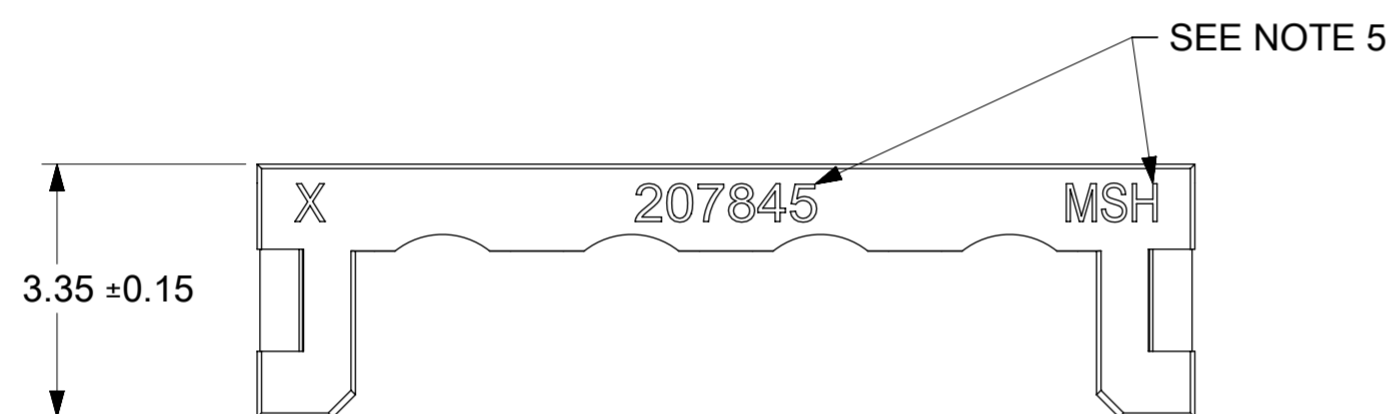


ISOMETRIC VIEW FOR 4 CKT



- NOTES:  
 1. MATERIAL: PA66, RATED UL 94V-0, COLOR-NATURAL WHITE  
 2. PRODUCT SPECIFICATION: 2079020001-PS  
 3. PACKAGING SPECIFICATION: 2078450000-PK  
 4. COSMETIC SPECIFICATION: PS-45499-002 CLASS B  
 5. MOLEX LOGO AND SERIES ID

PART NO.	CKT	DIM. C
2078450002	2	7.99
2078450003	3	9.89
2078450004	4	12.39
2078450005	5	14.89
2078450006	6	17.39
2078450007	7	19.89
2078450008	8	22.39

THIS DRAWING CONTAINS INFORMATION THAT IS PROPRIETARY TO MOLEX ELECTRONIC TECHNOLOGIES, LLC AND SHOULD NOT BE USED WITHOUT WRITTEN PERMISSION									
SYMBOLS		DIMENSION UNITS	SCALE	CURRENT REV DESC:					
▽ = 0	▽ = 0	mm	10:1	<b>molex</b> TPA FOR KK PLUS 250 PRODUCT CUSTOMER DRAWING DOCUMENT NUMBER: 2078450004-SD DOC TYPE: PSD DOC PART: 000 REVISION: A1 MATERIAL NUMBER: 207845 CUSTOMER: A2-SIZE SHEET NUMBER: 1 OF 1					
▽ = 0	▽ = 0	GENERAL TOLERANCES (UNLESS SPECIFIED)							
▽ = 0	▽ = 0	ANGULAR TOL ± 0.5°							
▽ = 0	▽ = 0	4 PLACES ±							
▽ = 0	▽ = 0	3 PLACES ±							
▽ = 0	▽ = 0	2 PLACES ± 0.25		EC NO: 706742 DRWN: SHRUTJ 2022/04/20 CHK'D: SHRUTJ 2022/05/13 APPR: ISHWARG 2022/05/13					
▽ = 0	▽ = 0	1 PLACE ± 0.3		INITIAL REVISION: DRWN: SUDAYGUNAGI 2018/06/19 APPR: ISHWARG 2019/04/26					
▽ = 0	▽ = 0	0 PLACES ±		DRAFT WHERE APPLICABLE MUST REMAIN WITHIN DIMENSIONS THIRD ANGLE PROJECTION DRAWING: A2-SIZE SERIES: 207845					