

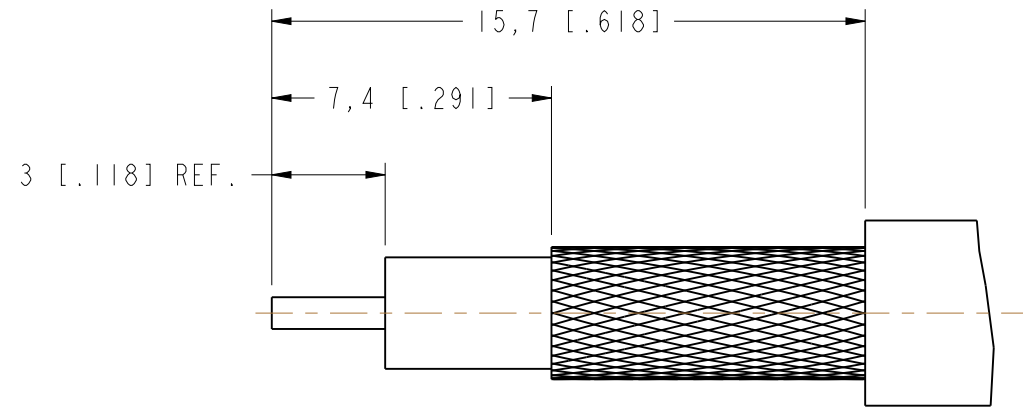
NOTES:

- MATERIALS AND FINISHES:
 FERRULE - BRASS, NICKEL PLATING
 BODY - BRASS, NICKEL PLATING
- CRIMPED FERRULE HEX CRIMP SIZE .213"

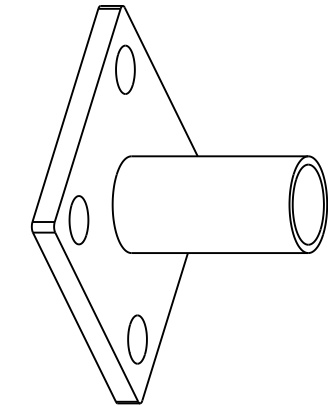
THIRD ANGLE PROJ.

REVISIONS

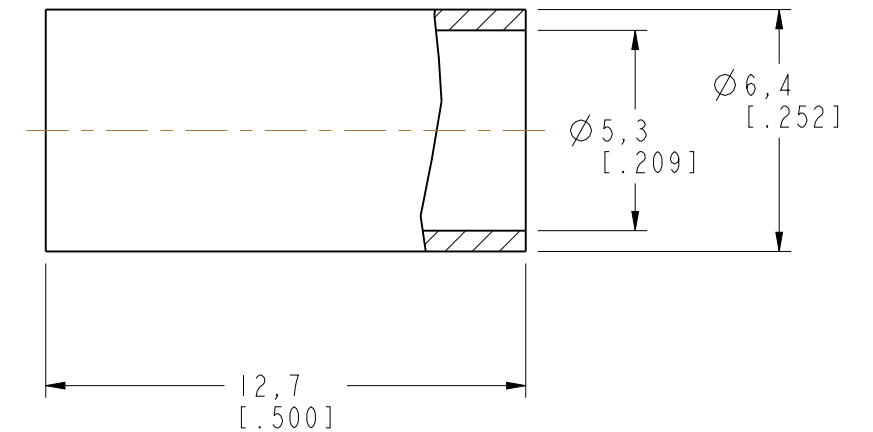
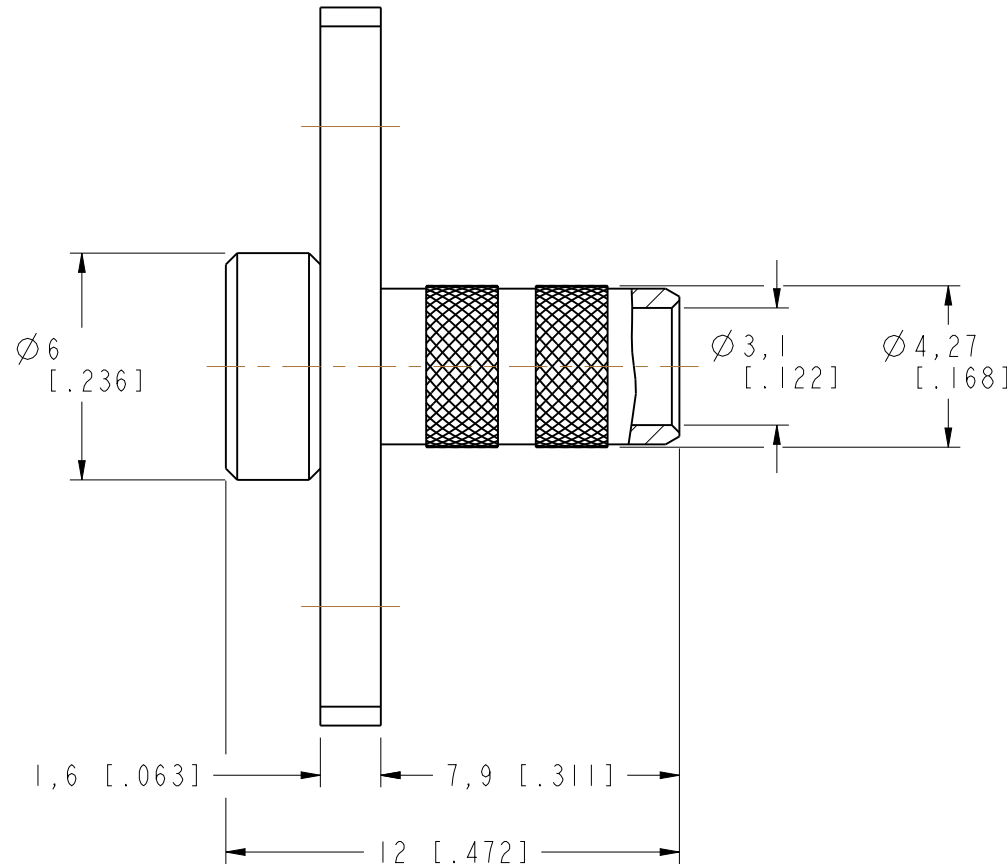
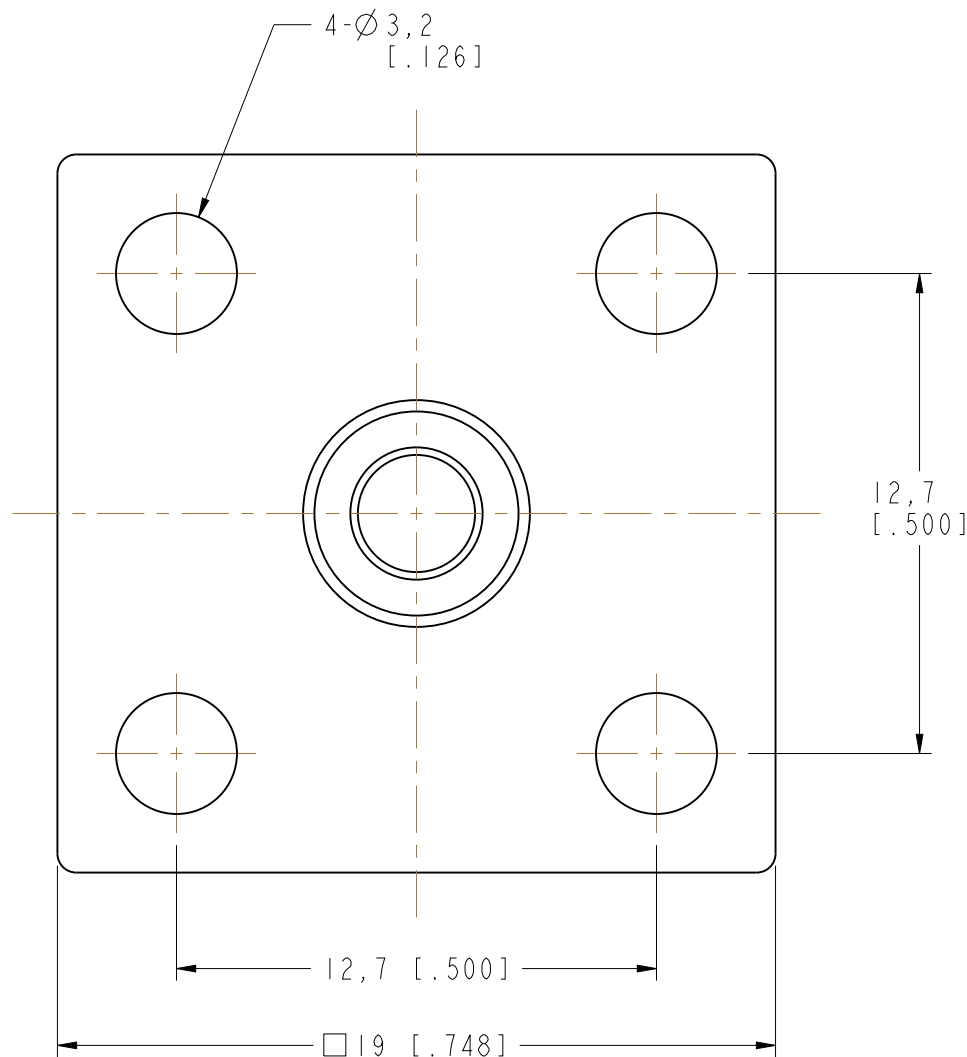
REV	DESCRIPTION	DATE	ECO	APPR
NC	INITIAL RELEASE	07-Mar-00	-----	GRS
A	REDRAWN IN THE PRO-E, UPDATE DRAWING FORMAT	17-Mar-15	2885	BCG



RECOMMENDED
CABLE STRIPPING DIM'S



SCALE 2.000



CUSTOMER OUTLINE DRAWING

ALL OTHER SHEETS ARE FOR INTERNAL USE ONLY

UNLESS OTHERWISE SPECIFIED, DIMENSIONS ARE IN METRIC AND TOLERANCES ARE:
 <0.5mm ±0.05mm 0.5 - 6mm ±0.1mm 6 - 30mm ±0.2mm 30 - 120mm ±0.3mm ANGLES ±1°

NOTICE - These drawings, specifications, or other data (1) are, and remain the property of Amphenol corp. (2) must be returned upon request; and (3) are confidential and not to be disclosed to any person other than those to whom they are given by Amphenol Corp. the furnishing of these drawings, specifications, or other data by Amphenol Corp., or to any other person to anyone for any purpose is not to be regarded by implication or otherwise in any manner licensing, granting rights to permitting such holder or any other person to manufacture, use or sell any product, process or design, patented or otherwise, that may in any way be related to or disclosed by said drawings, specifications, or other data.

MATERIAL	DRAWN M.ZHANG	DATE 17-Mar-15	TITLE PANEL MOUNT CABLE TERMINAL (FOR RG-58 C/U, RG-58/U CABLE)		Amphenol Connex	
REFERENCE TMN0511A2-N-58U	ENGINEER S.DUAN	DATE 17-Mar-15				
CONFIGURATION LEVEL: In Work	APPROVED B.C. GLEISSNER	DATE 17-Mar-15	SCALE: 5.0:1.0	SHEET 3 OF 3	DRAWING NO.	
FINISH	CAD FILE		DWG SIZE B	REV A	ITEM NO.	
					PART NO. 142277	