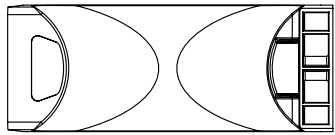
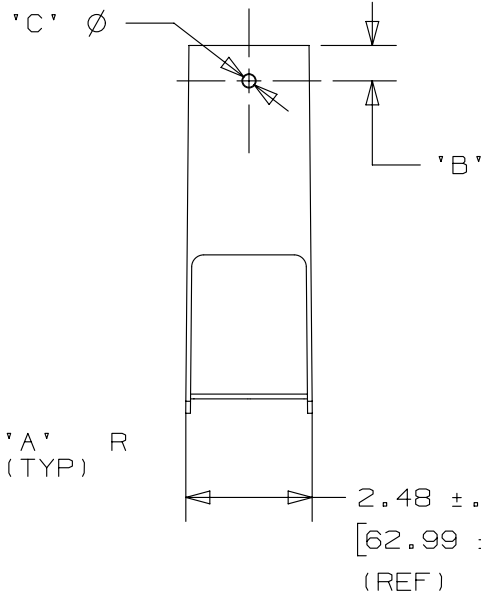
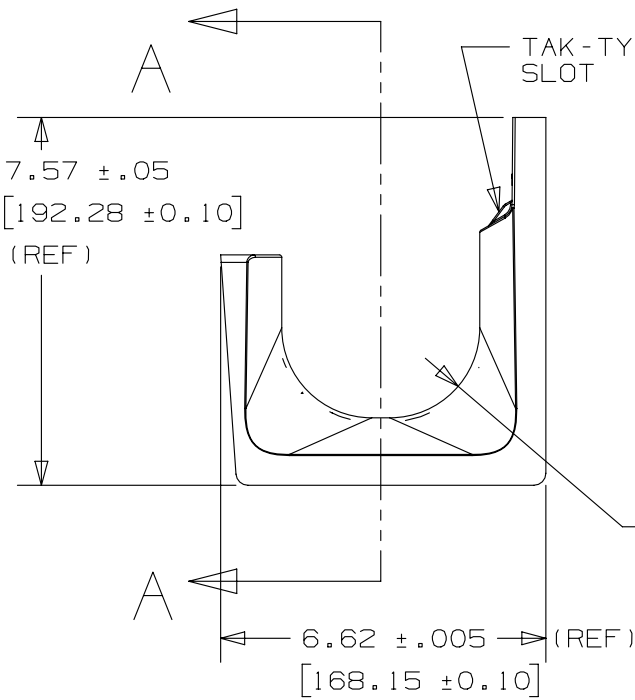


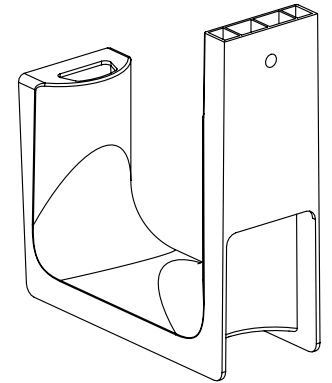
THIS COPY IS PROVIDED ON A RESTRICTED BASIS AND IS NOT TO BE USED IN ANY WAY DETRIMENTAL TO THE INTERESTS OF PANDUIT CORP.



PANDUIT PART NO.	DIMENSIONS			WEIGHT lbs 10 (g) pcs
	'A'	'B'	'C'	
JP4W- ---	2.00 (50.80) (REF)	0.72 (18.3)	0.272 ±.01 (6.60)	3.84 (1742)



SECTION A-A  
(BEND RADIUS CONTROL)



- NOTES:
- SEE CURRENT PRICE SHEET FOR PART NUMBER SUFFIX DESIGNATION FOR PACKAGE SIZE AND PRODUCT COLOR.
  - MATERIAL: NYLON 6/6
  - PRODUCT IS DESIGNED TO SUPPORT A MAXIMUM 4.0" (101.6) DIAMETER BUNDLE, J-HOOKS SPACED MIN 4" & MAX 5" INTERVALS.
  - PRODUCT INCORPORATES FEATURES ALLOWING USER TO RETAIN CABLE BUNDLES IN J-PRO J-HOOK WITH TAK-TY CABLE TIES UP TO 3/4" WIDE.
  - PRODUCT MARKINGS:  
 cULus logo and statement:  
 "SUITABLE FOR USE IN AIR HANDLING SPACES IN ACCORDANCE WITH SECTION 300-22 (C) & (D) OF THE NATIONAL ELECTRIC CODE IN SINGLE UNIT CONFIGURATION ONLY."  
 ULC logo and statement:  
 "IN ACCORDANCE WITH CAN/ULC S-102.2-10 IN SINGLE UNITS OR PAIRS, 4 ft (1220mm) MIN. SPACING, FSR=0, SDC=35."

REV	DATE	BY	CHK	APR	DESCRIPTION	ECN
03	3/6/2013	DBLA	DJW	KLN	CHANGE DIMENSION 'C'	GAECN00628
02	11/5/2012	DBLA	GGC	KLN	NOTE 5 UPDATED CAN/ULC S-102.2-10	GAECN00391
01	10/15/12	DBLA	GGC	KLN	CHANGED MATERIAL, DIMENSIONS AND SDC RATING, UPDATED DRAWING BOARDER	GAECN00345
R	2/10/06	JAD			INITIAL RELEASE	GB3043DC

TITLE <b>J-PRO J-HOOK WALL MOUNT : JP4W</b>						CUSTOMER DRAWING	
ITEM REVISION NAME <b>G03043DA/10</b>				<b>PANDUIT</b>			
DATASET FILE NAME <b>G0304DA_DC_GB3043DC/10C</b>				MATERIAL: <b>NYLON 6/6</b>			
UNLESS OTHERWISE SPECIFIED, DIMENSIONAL TOLERANCES ARE: IN [mm] .x ± .1 [ 2.54 ]      .xxx ± .005 [ .127 ] .xx ± .01 [ .25 ]      ANGLES ± 5 °				DRAWING NUMBER: <b>GB3043DC</b>			
DRAWN BY <b>JAD</b>		DATE <b>2/10/2012</b>		CHK		SCALE <b>1:4</b>	
				THIRD ANGLE PROJECTION		SHT 1 OF 1	
						SIZE <b>A</b>	

D10100DA/12