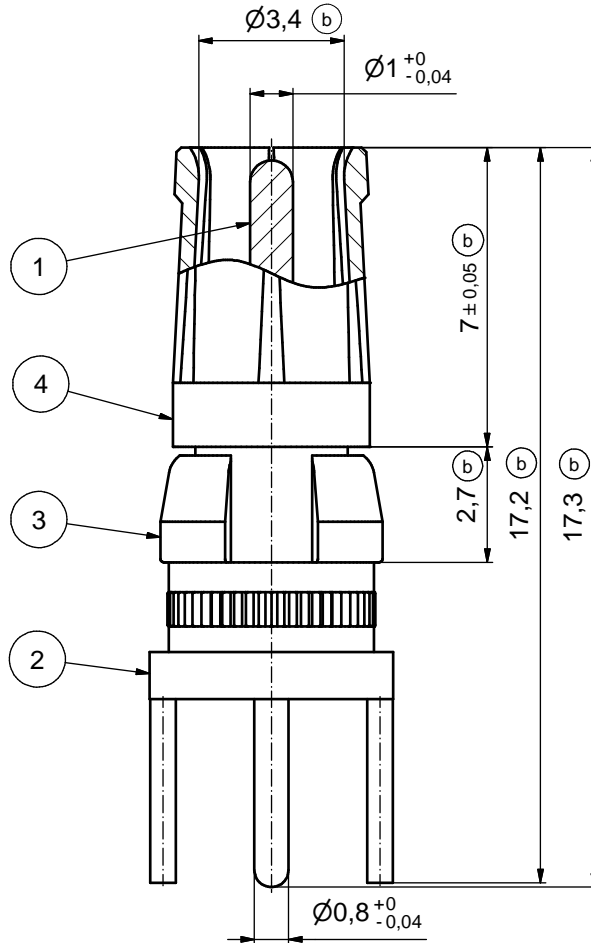
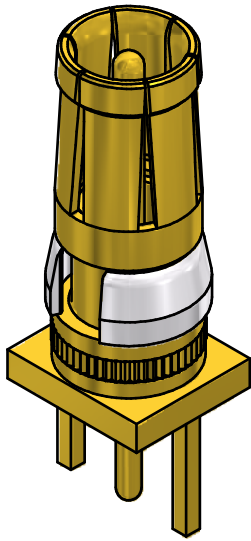
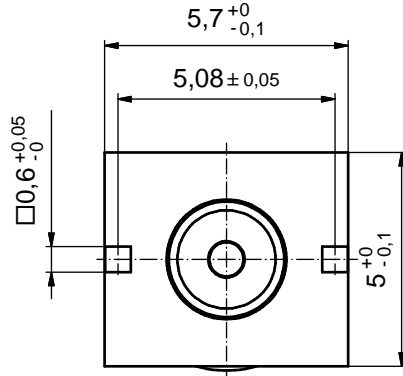
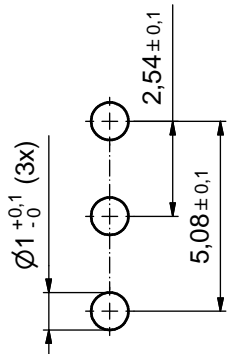


Part no.	Finish Pos.1	Finish Pos.2	Finish Pos.3	Finish Pos.4
132A24019X	GOLD FLASH over NICKEL	GOLD FLASH over NICKEL	NICKEL PLATED	GOLD FLASH over NICKEL
132J24019X	min. 50µin HARD GOLD over min. 50µin NICKEL	GOLD FLASH over NICKEL	NICKEL PLATED	min. 30µin HARD GOLD over min. 50µin NICKEL



(b) MOUNTING HOLES



Directive 2002/95/EC RoHS compliant

THIS DRAWING MAY NOT BE COPIED OR REPRODUCED IN ANY WAY, AND MAY NOT BE PASSED ON TO A THIRD PARTY WITHOUT WRITTEN PERMISSION. OWNERSHIP AND COPYRIGHT OF CONEC GmbH				tolerance		scale: 8:1	
				dim. in mm		material: COPPER ALLOY (b)	
DO NOT ALTER CAD DRAWING BY HAND				date	name	title: COAXIAL CONTACT SOCKET 50 OHM Straight PCB termination, (76) with 3 Pins for D-SUB COMBINATION	
				drawn	08.12.06		
7 x b				appd.	08.12.06	dwg no:	
				a	Original		
rev.				description	date	13K2IARA	
				a	Original		
part no:				see table (b)		DIN-A3	
						sh: 1	

