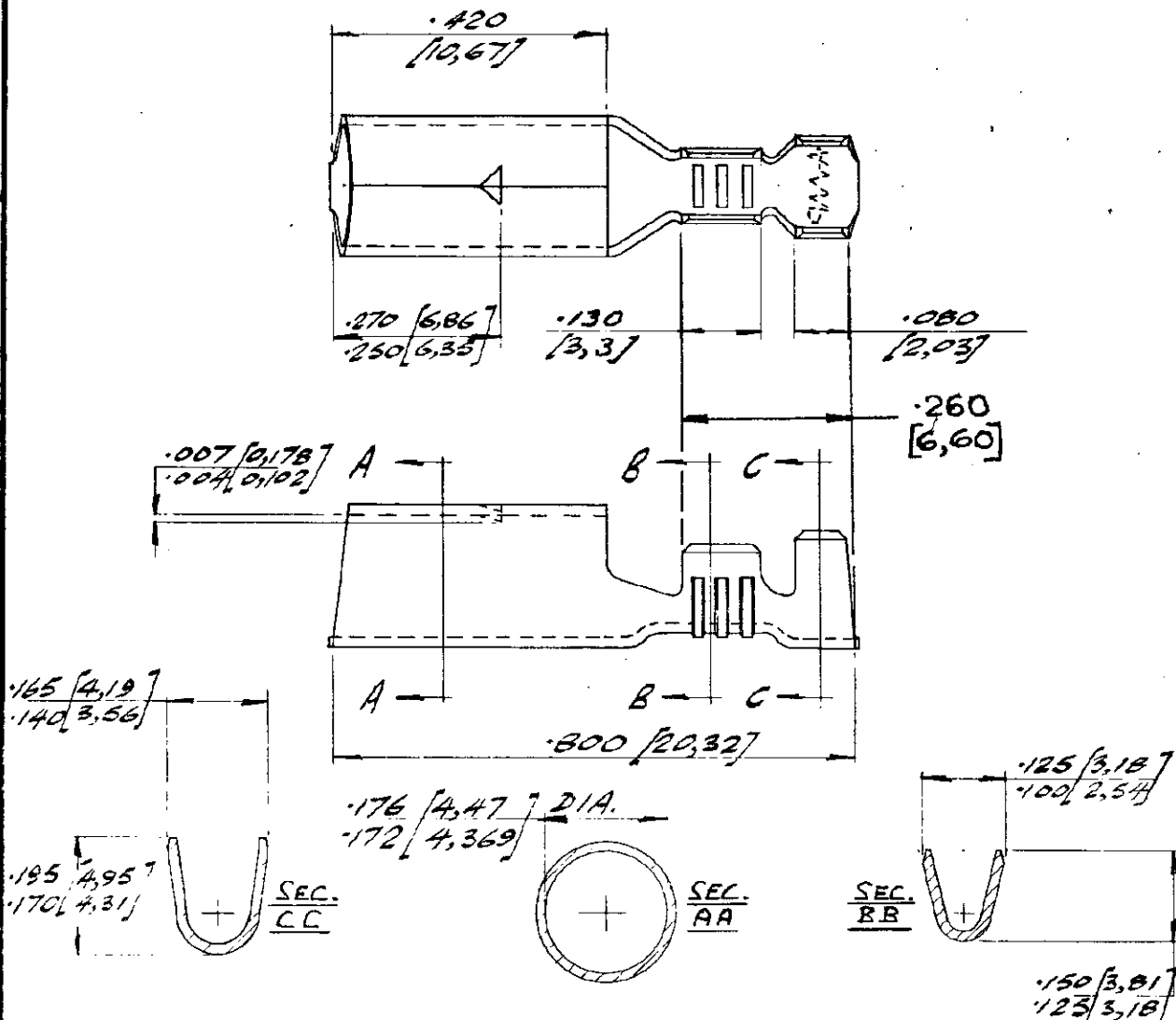


NUMBER  
E152404

3rd ANGLE (AMERICAN) PROJECTION

DIMENSIONS IN INCHES. DO NOT SCALE PRINT  
DIMENSIONS THUS [ ] IN MM.



152404-5	PHOS. BRONZE	ELECTRO TIN	OBSOLETE
152404-4	SPECIAL BRASS	NONE	OBSOLETE
152404-3	PHOS. BRONZE	NONE	SUPERSEDED BY 42531-3
152404-2	BRASS	ELECTRO TIN	SUPERSEDED BY 42531-2
152404-1	BRASS	NONE	SUPERSEDED BY 42531-1

PART NO MATERIAL FINISH

E			ECO-14-014629	M.D	12SEP14	© AIRCRAFT/MARINE PRODUCTS GREAT BRITAIN, LTD 1970		CUSTOMER COPY REFERENCE ONLY		
D			-5 ADDED	J.C.	11/182	MATERIAL AND FINISH $.016$ [0,41] STOCK THICK.		A DIVISION OF AIRCRAFT-MARINE PRODUCTS (GREAT BRITAIN) LTD STANMORE, MDDX.		
C			$.260$ [6,60] DIM. ADDED	KS	-	SEE TABLE				
B			-4 ADDED	T.C.	17-6-74	WIRE - RANGE - INSULATION 20-16 [0,20-3,05]				
A			$.130$ [3,3]	W	31-1-72	TO FRANCE EXCEPT SCALE 4:1		EAC-152404		
REVISION RECORD			DR	CHK	DATE	NO		PI		
F. WELLS 11/6/70			J. A. BRACE 11/6/70							

$.180$  [4,57] DIA.  
SHUR PLUG RECEPTACLE