

PAGE 1/2

ISSUE 15-03-18

SERIE : SPnT

PART NUMBER : R573811601

RF CHARACTERISTICS

Number of ways : **6**
 Frequency range : **0 - 40 GHz**
 Impedance : **50 Ohms**

Frequency (GHz)	DC - 6	6 - 12.4	12.4 - 18	18 - 26.5	26.5 - 40
VSWR max	1.20	1.35	1.45	1.70	1.90
Insertion loss max (dB)	0.3 + 0.015 x frequency (GHz)				
Isolation min	80 dB	70 dB	65 dB	60 dB	55 dB
Average power (*)	40 W	30 W	25 W	15 W	5 W

ELECTRICAL CHARACTERISTICS

Actuator : **NORMALLY OPEN**
 Nominal current ** : **420 mA**
 Actuator voltage (Vcc) : **5V / NEGATIVE COMMON**
 Terminals : **Mini-USB socket (with 1 meter USB cable)**

MECHANICAL CHARACTERISTICS

Connectors : **SMA 2.9 female per MIL-C 39012**
 Life : **2 million cycles per position**
 Switching Time*** : **< 15 ms**
 Construction : **Splashproof**
 Weight : **< 250 g**

ENVIRONMENTAL CHARACTERISTICS

Operating temperature range : **-25°C to +75°C**
 Storage temperature range : **-55°C to +85°C**

SYSTEM REQUIREMENTS

Compatible with Windows® 7 up to 10 operating systems using 32 and 64 bit architecture

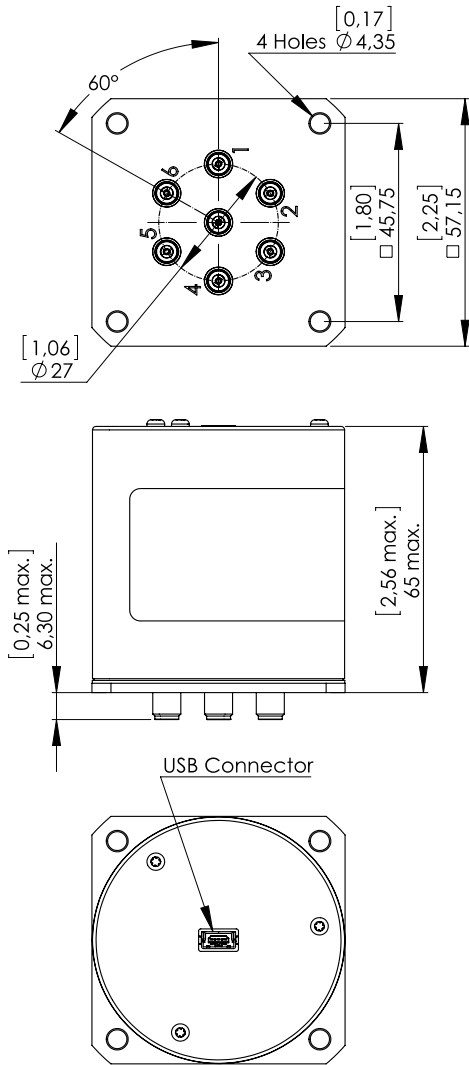
(* Average power at 25°C per RF Path)

(** At 25° C ±10%)

(*** Nominal voltage ; 25° C)



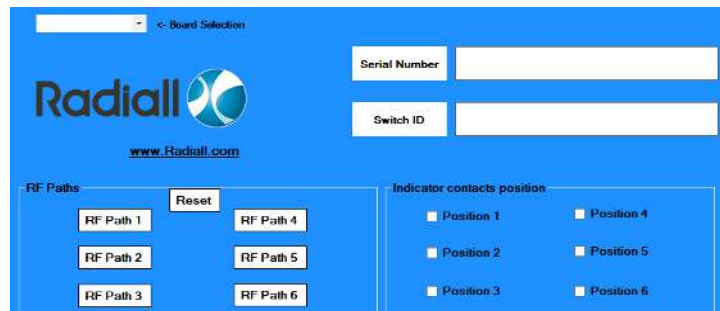
DRAWING



General tolerances : ±0.5 mm [0.02 in]

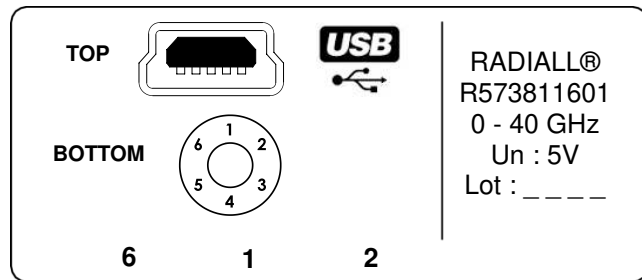


Graphical User Interface



Apart from using the provided GUI interface USB switch can be also controlled via other commonly used software programming platforms such as Visual Basic, C#, C++, LabVIEW™ and VEE.

LABEL



SCHEMATIC DIAGRAM

