

FLX-D25F/16CH/AI/FU/SIOP/TDC3K - Interface module



1050543

<https://www.phoenixcontact.com/us/products/1050543>

Please be informed that the data shown in this PDF document is generated from our online catalog. Please find the complete data in the user documentation. Our general terms of use for downloads are valid.



Migration board for converting TDC3000 to modern control platforms, analog input, 16 channel, fusing

Your advantages

- Panel mount to existing TDC3000 chassis
- Compatible with existing pluggable field wiring connectors
- DSUB control side connection
- Per channel fusing
- Terminal blocks for power supply

Commercial data

Item number	1050543
Packing unit	1 pc
Sales key	C421
Product key	CK21A3
GTIN	4055626666167
Weight per piece (including packing)	378 g
Weight per piece (excluding packing)	360 g
Customs tariff number	85176200
Country of origin	US

FLX-D25F/16CH/AI/FU/SIOP/TDC3K - Interface module



1050543

<https://www.phoenixcontact.com/us/products/1050543>

Technical data

Notes

General	For proper use, the specifications of the installation directive (see Downloads) must be observed.
---------	--

Product properties

Product type	Interface module
--------------	------------------

Insulation characteristics

Overvoltage category	II
Pollution degree	2

Electrical properties

Max. operating voltage U_{max}	30 V DC (Power supply)
Operating voltage	30 V DC
Max. current carrying capacity per branch	250 mA (fuse limited)
Maximum power voltage feed	5 A (fuse limited)

Supported controller HONEYWELL TDC3000

Suitable I/O card	TAIH01
	TAIH02
	TAIH03

Connection data

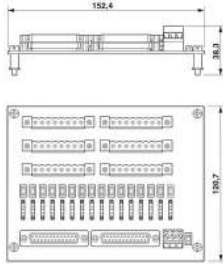
Controller level

Connection method	D-SUB-25 female connector
Number of connections	2
Number of positions	25

Field level

Connection method	pluggable
-------------------	-----------

Dimensions

Dimensional drawing	
Width	152.4 mm
Height	120.7 mm
Depth	38.3 mm

FLX-D25F/16CH/AI/FU/SIOP/TDC3K - Interface module



1050543

<https://www.phoenixcontact.com/us/products/1050543>

Environmental and real-life conditions

Ambient conditions

Ambient temperature (operation)	-40 °C ... 70 °C
Ambient temperature (storage/transport)	-40 °C ... 75 °C
Altitude	< 2000 m
Permissible humidity (operation)	< 90 %

Mounting

Mounting position	any
-------------------	-----

FLX-D25F/16CH/AI/FU/SIOP/TDC3K - Interface module

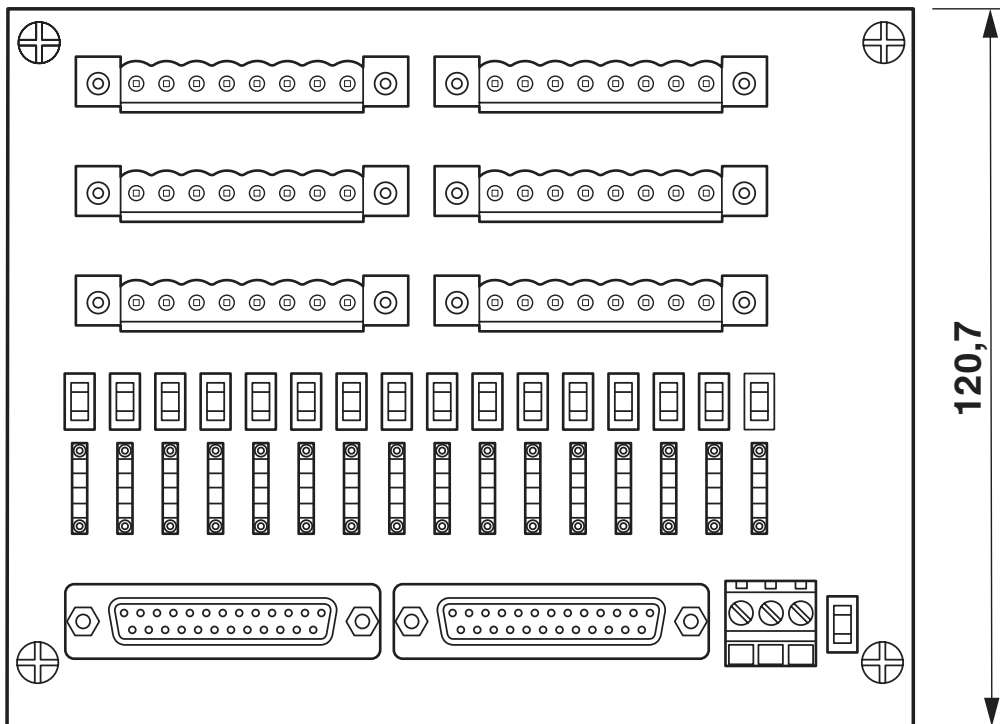
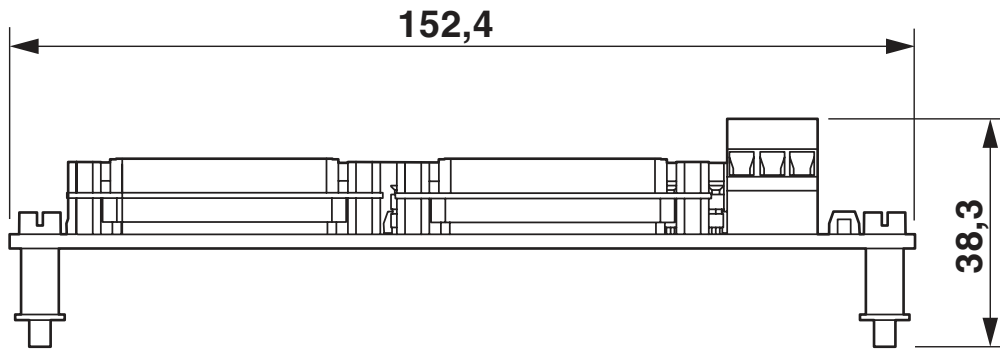


1050543

<https://www.phoenixcontact.com/us/products/1050543>

Drawings

Dimensional drawing



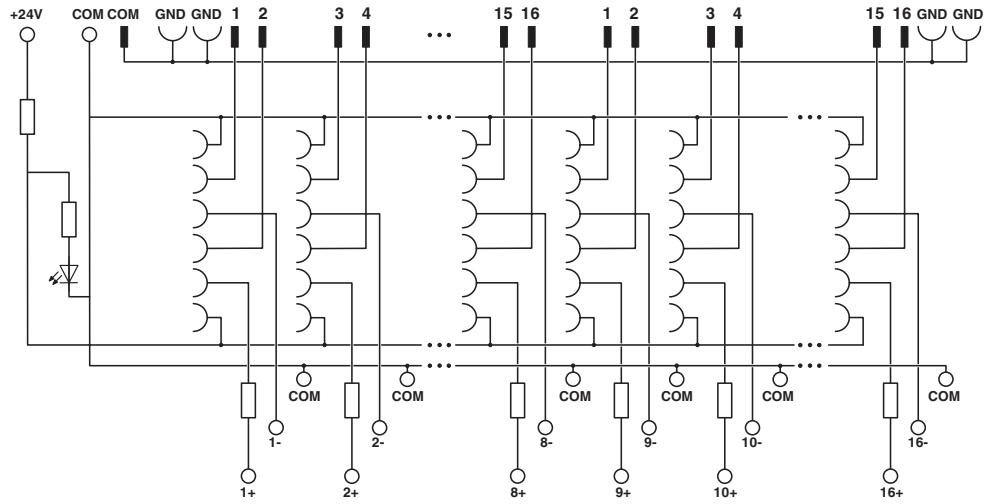
FLX-D25F/16CH/AI/FU/SIOP/TDC3K - Interface module



1050543

<https://www.phoenixcontact.com/us/products/1050543>

Circuit diagram



FLX-D25F/16CH/AI/FU/SIOP/TDC3K - Interface module





1050543


<https://www.phoenixcontact.com/us/products/1050543>


Approvals

To download certificates, visit the product detail page: <https://www.phoenixcontact.com/us/products/1050543>

 CSA Approval ID: 108860_0_000				
	Nominal voltage U_N	Nominal current I_N	Cross section AWG	Cross section mm^2
Power	-	5 A	-	-
Signal	-	0.25 A	-	-
Output	-	0.25 A	-	-

 cUL Recognized Approval ID: FILE E 238705				
	Nominal voltage U_N	Nominal current I_N	Cross section AWG	Cross section mm^2
Power	-	5 A	-	-
Signal	-	0.25 A	-	-
Output	-	0.25 A	-	-

 UL Recognized Approval ID: FILE E 238705				
	Nominal voltage U_N	Nominal current I_N	Cross section AWG	Cross section mm^2
Power	-	5 A	-	-
Signal	-	0.25 A	-	-
Output	-	0.25 A	-	-

 CSAus Approval ID: 108860_0_000				
	Nominal voltage U_N	Nominal current I_N	Cross section AWG	Cross section mm^2
Power	-	5 A	-	-
Signal	-	0.25 A	-	-
Output	-	0.25 A	-	-

cULus Recognized

cCSAus

FLX-D25F/16CH/AI/FU/SIOP/TDC3K - Interface module



1050543

<https://www.phoenixcontact.com/us/products/1050543>

Classifications

ECLASS

ECLASS-11.0	27141152
ECLASS-12.0	27141152
ECLASS-13.0	27141152

ETIM

ETIM 8.0	EC002780
----------	----------

UNSPSC

UNSPSC 21.0	39121400
-------------	----------

FLX-D25F/16CH/AI/FU/SIOP/TDC3K - Interface module



1050543

<https://www.phoenixcontact.com/us/products/1050543>

Environmental product compliance

REACH SVHC

Lead 7439-92-1

FLX-D25F/16CH/AI/FU/SIOP/TDC3K - Interface module



1050543

<https://www.phoenixcontact.com/us/products/1050543>

Accessories

CAB-DSUB25M/OE/22/S/ 1M - Cable

2909752

<https://www.phoenixcontact.com/us/products/2909752>



Assembled shielded round cable; connection 1: Single wires (25-position) (The wires are marked and fitted with ferrules); connection 2: D-SUB pin strip (1x 25-position); cable length: 1 m

CAB-DSUB25M/OE/22/S/ 3M - Cable

2909753

<https://www.phoenixcontact.com/us/products/2909753>



Assembled shielded round cable; connection 1: Single wires (25-position) (The wires are marked and fitted with ferrules); connection 2: D-SUB pin strip (1x 25-position); cable length: 3 m

FLX-D25F/16CH/AI/FU/SIOP/TDC3K - Interface module



1050543

<https://www.phoenixcontact.com/us/products/1050543>

CAB-DSUB25M/OE/22/S/ 5M - Cable

2909754

<https://www.phoenixcontact.com/us/products/2909754>



Assembled shielded round cable; connection 1: Single wires (25-position) (The wires are marked and fitted with ferrules); connection 2: D-SUB pin strip (1x 25-position); cable length: 5 m

CAB-DSUB25M/OE/22/S/10M - Cable

2909755

<https://www.phoenixcontact.com/us/products/2909755>



Assembled shielded round cable; connection 1: Single wires (25-position) (The wires are marked and fitted with ferrules); connection 2: D-SUB pin strip (1x 25-position); cable length: 10 m

FLX-D25F/16CH/AI/FU/SIOP/TDC3K - Interface module



1050543

<https://www.phoenixcontact.com/us/products/1050543>

CAB-DSUB25M/OE/22/S/15M - Cable

2909757

<https://www.phoenixcontact.com/us/products/2909757>



Assembled shielded round cable; connection 1: Single wires (25-position) (The wires are marked and fitted with ferrules); connection 2: D-SUB pin strip (1x 25-position); cable length: 15 m

CAB-DSUB25M/OE/22/S/30M - Cable

2909758

<https://www.phoenixcontact.com/us/products/2909758>



Assembled shielded round cable; connection 1: Single wires (25-position) (The wires are marked and fitted with ferrules); connection 2: D-SUB pin strip (1x 25-position); cable length: 30 m

FLX-D25F/16CH/AI/FU/SIOP/TDC3K - Interface module



1050543

<https://www.phoenixcontact.com/us/products/1050543>

CAB-DSUB25M/OE/18/S/ 1M - Cable

2909759

<https://www.phoenixcontact.com/us/products/2909759>



Assembled shielded round cable; connection 1: Single wires (25-position) (The wires are marked and fitted with ferrules); connection 2: D-SUB pin strip (1x 25-position); cable length: 1 m

CAB-DSUB25M/OE/18/S/ 3M - Cable

2909760

<https://www.phoenixcontact.com/us/products/2909760>



Assembled shielded round cable; connection 1: Single wires (25-position) (The wires are marked and fitted with ferrules); connection 2: D-SUB pin strip (1x 25-position); cable length: 3 m

FLX-D25F/16CH/AI/FU/SIOP/TDC3K - Interface module



1050543

<https://www.phoenixcontact.com/us/products/1050543>

CAB-DSUB25M/OE/18/S/ 5M - Cable

2909761

<https://www.phoenixcontact.com/us/products/2909761>



Assembled shielded round cable; connection 1: Single wires (25-position) (The wires are marked and fitted with ferrules); connection 2: D-SUB pin strip (1x 25-position); cable length: 5 m

CAB-DSUB25M/OE/18/S/10M - Cable

2909762

<https://www.phoenixcontact.com/us/products/2909762>



Assembled shielded round cable; connection 1: Single wires (25-position) (The wires are marked and fitted with ferrules); connection 2: D-SUB pin strip (1x 25-position); cable length: 10 m

FLX-D25F/16CH/AI/FU/SIOP/TDC3K - Interface module



1050543

<https://www.phoenixcontact.com/us/products/1050543>

CAB-DSUB25M/OE/18/S/15M - Cable

2909763

<https://www.phoenixcontact.com/us/products/2909763>



Assembled shielded round cable; connection 1: Single wires (25-position) (The wires are marked and fitted with ferrules); connection 2: D-SUB pin strip (1x 25-position); cable length: 15 m

CAB-DSUB25M/OE/18/S/30M - Cable

2909764

<https://www.phoenixcontact.com/us/products/2909764>



Assembled shielded round cable; connection 1: Single wires (25-position) (The wires are marked and fitted with ferrules); connection 2: D-SUB pin strip (1x 25-position); cable length: 30 m

FLX-D25F/16CH/AI/FU/SIOP/TDC3K - Interface module



1050543

<https://www.phoenixcontact.com/us/products/1050543>

CAB-DSUB25M/OE/22/TP/S/ 1M - Cable

2909606

<https://www.phoenixcontact.com/us/products/2909606>



Assembled shielded round cable; connection 1: Twisted pair (25-position) (The wires are marked and fitted with ferrules); connection 2: D-SUB pin strip (1x 25-position); cable length: 1 m

CAB-DSUB25M/OE/22/TP/S/ 3M - Cable

2909607

<https://www.phoenixcontact.com/us/products/2909607>



Assembled shielded round cable; connection 1: Twisted pair (25-position) (The wires are marked and fitted with ferrules); connection 2: D-SUB pin strip (1x 25-position); cable length: 3 m

FLX-D25F/16CH/AI/FU/SIOP/TDC3K - Interface module



1050543

<https://www.phoenixcontact.com/us/products/1050543>

CAB-DSUB25M/OE/22/TP/S/ 5M - Cable

2909608

<https://www.phoenixcontact.com/us/products/2909608>



Assembled shielded round cable; connection 1: Twisted pair (25-position) (The wires are marked and fitted with ferrules); connection 2: D-SUB pin strip (1x 25-position); cable length: 5 m

CAB-DSUB25M/OE/22/TP/S/10M - Cable

2909609

<https://www.phoenixcontact.com/us/products/2909609>



Assembled shielded round cable; connection 1: Twisted pair (25-position) (The wires are marked and fitted with ferrules); connection 2: D-SUB pin strip (1x 25-position); cable length: 10 m

FLX-D25F/16CH/AI/FU/SIOP/TDC3K - Interface module



1050543

<https://www.phoenixcontact.com/us/products/1050543>

CAB-DSUB25M/OE/22/TP/S/15M - Cable

2909610

<https://www.phoenixcontact.com/us/products/2909610>



Assembled shielded round cable; connection 1: Twisted pair (25-position) (The wires are marked and fitted with ferrules); connection 2: D-SUB pin strip (1x 25-position); cable length: 15 m

CAB-DSUB25M/OE/22/TP/S/30M - Cable

2909611

<https://www.phoenixcontact.com/us/products/2909611>



Assembled shielded round cable; connection 1: Twisted pair (25-position) (The wires are marked and fitted with ferrules); connection 2: D-SUB pin strip (1x 25-position); cable length: 30 m

Phoenix Contact 2023 © - all rights reserved
<https://www.phoenixcontact.com>

Phoenix Contact USA
586 Fulling Mill Road
Middletown, PA 17057, United States
(+717) 944-1300
info@phoenixcon.com