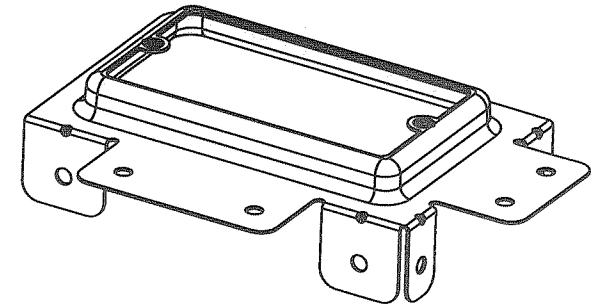
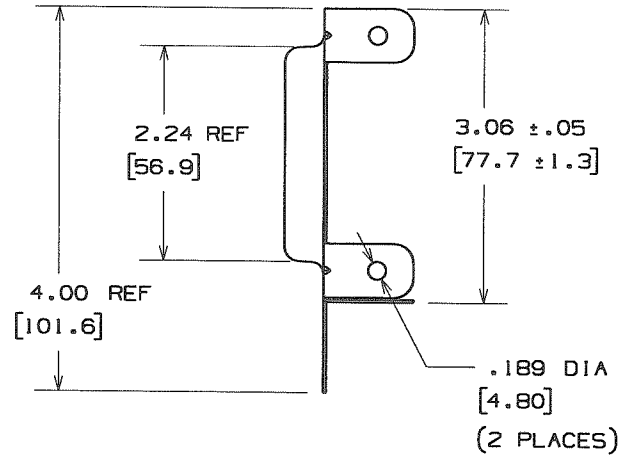
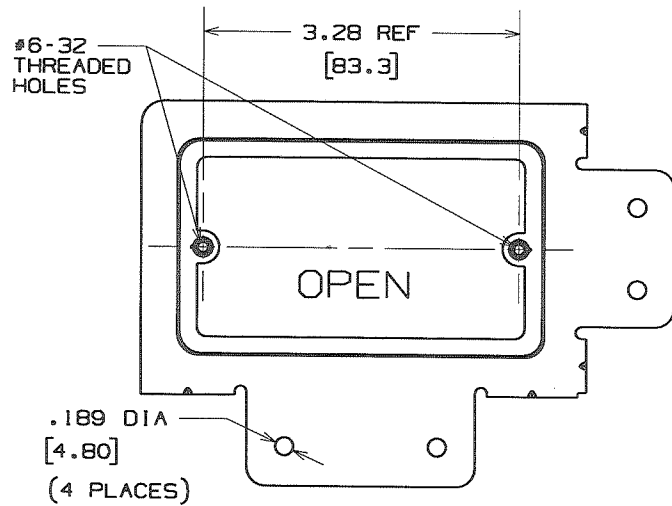
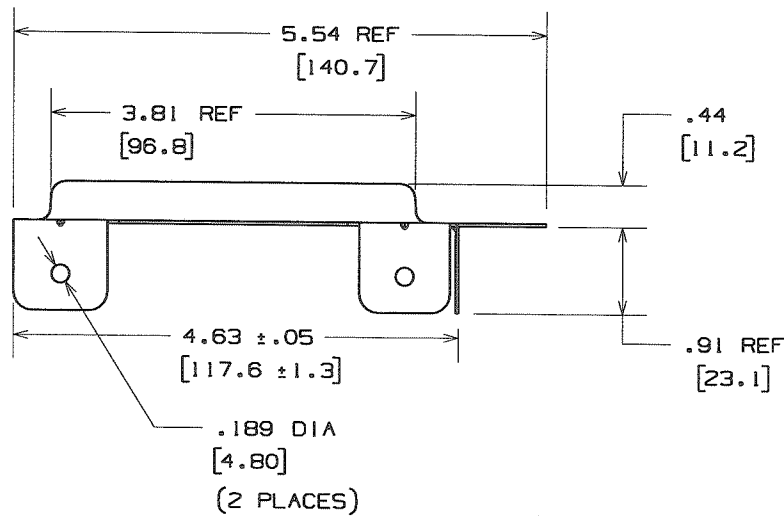


THIS COPY IS PROVIDED ON A RESTRICTED BASIS AND IS NOT TO BE USED IN ANY WAY DETRIMENTAL TO THE INTERESTS OF PANDUIT CORP.



ISOMETRIC VIEW



NOTES:

1. SEE CURRENT PRICE SHEET FOR PART NUMBER SUFFIX DESIGNATION FOR PACKAGE SIZE.
2. FASTENERS ARE NOT INCLUDED WITH THIS PRODUCT.
3. PRODUCT WEIGHT: 3.7lbs/25 PIECES, 1.7kg/25 PIECES.

DIMENSIONS IN BRACKETS ARE METRIC [mm]

CAD FILENAME/LAYERS G03668CH_DC_GB3668CH/03A

PANDUIT CORP. TINLEY PARK, ILLINOIS

LV-S-1G
LOW VOLTAGE SINGLE GANG BRACKET

UNLESS OTHERWISE SPECIFIED,
DIMENSIONAL TOLERANCES ARE:
(.X) ±0.05 [1.3] (.XXX) ±0.010 [0.25]
(.XX) ±0.02 [0.5] ANGLES ±5°

UNLESS OTHERWISE SPECIFIED,
ALL DIMENSIONS ARE GIVEN
IN INCHES, THIRD ANGLE
PROJECTION.

DRAWN BY
ARHA

MAT'L:

SCALE

1:2

DATE
10-28-09

PRE - GALVANIZED
STEEL

DRAWING NO.

GB3668CH

DWG

A

SIZE

03A	10/28/09	ARHA	CHK	INITIAL RELEASE	GB3668CH	03A	KEN				
REV	DATE	BY	CHK	DESCRIPTION	ECN	R	CUST	SUP			