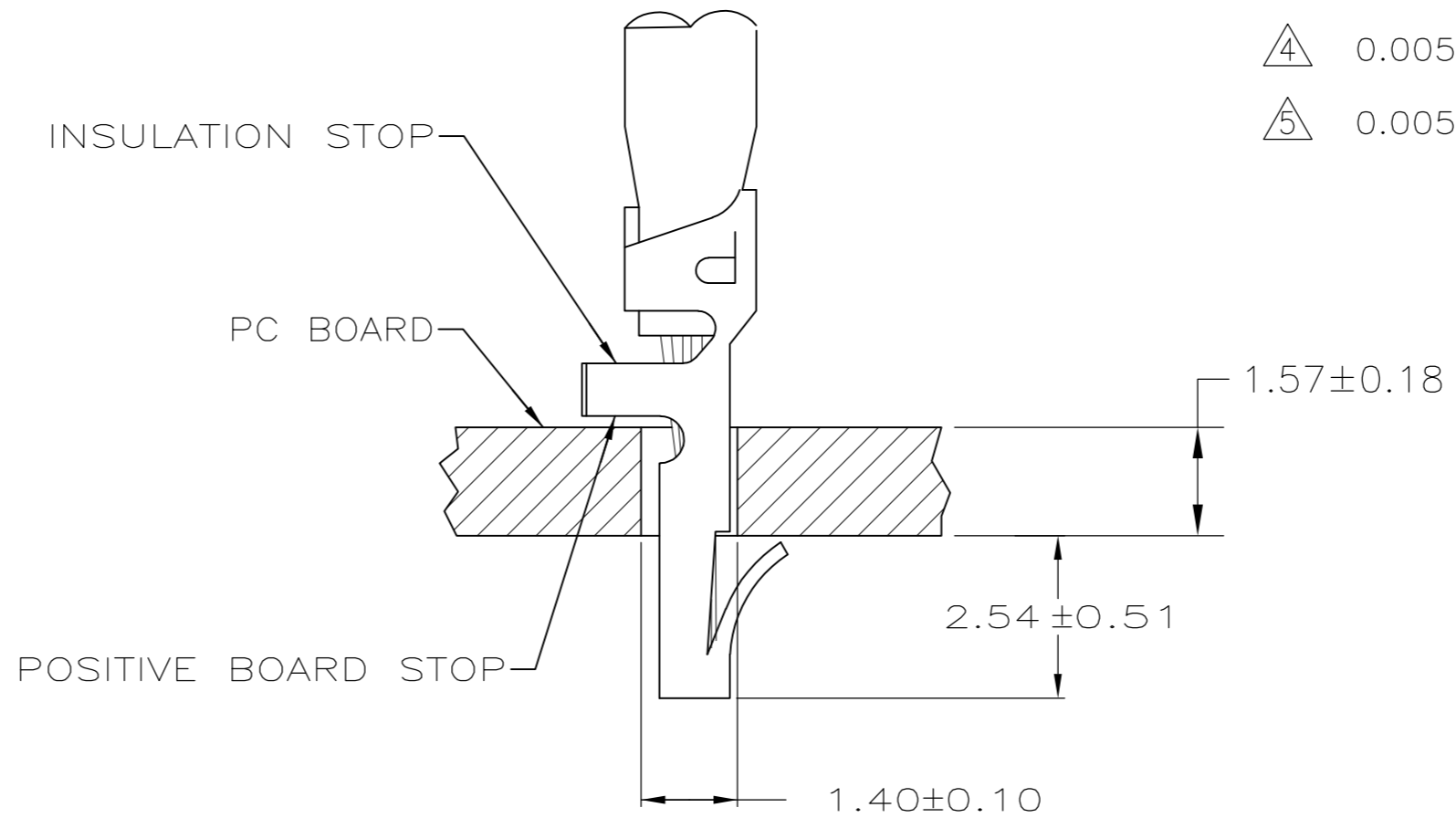
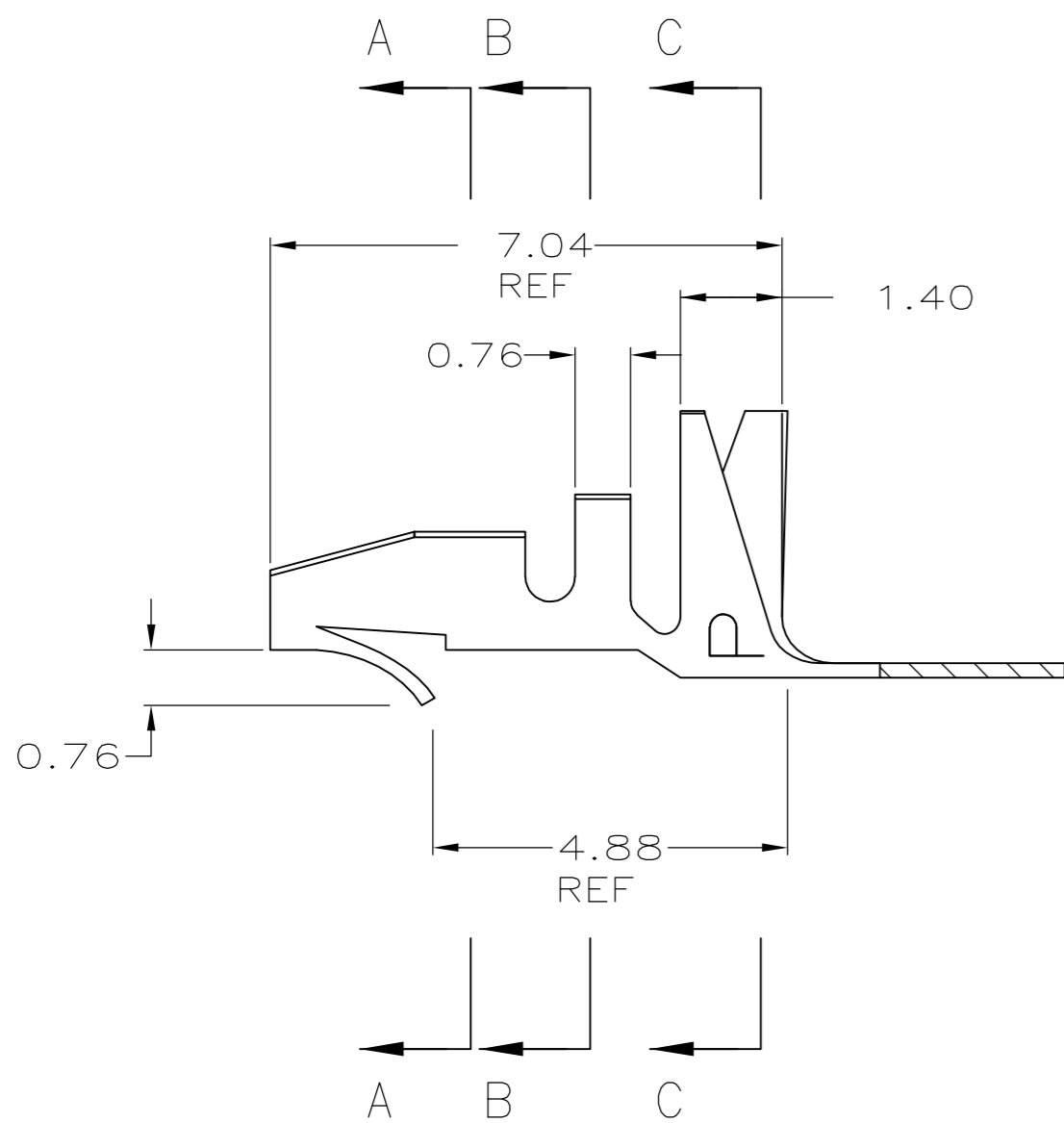
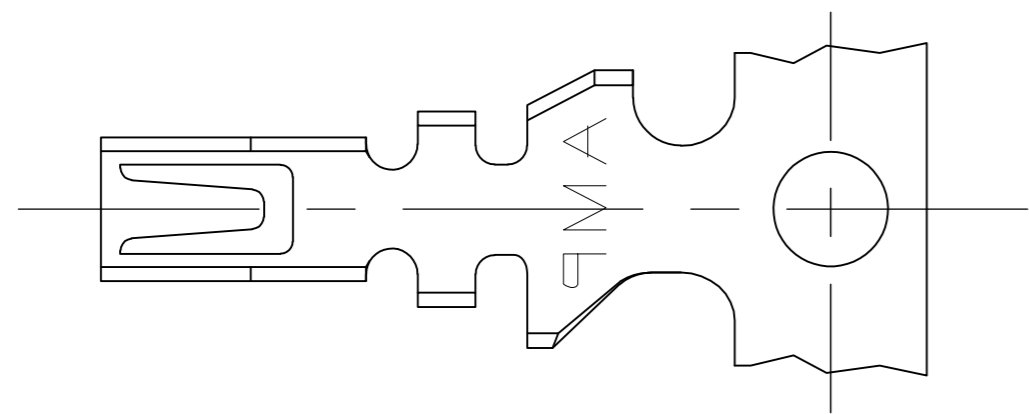
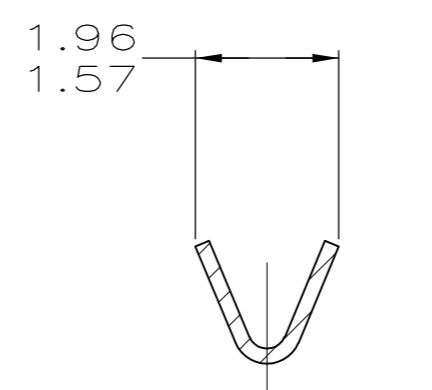


THIS DRAWING IS UNPUBLISHED. RELEASED FOR PUBLICATION
 © COPYRIGHT BY TYCO ELECTRONICS CORPORATION. ALL RIGHTS RESERVED.

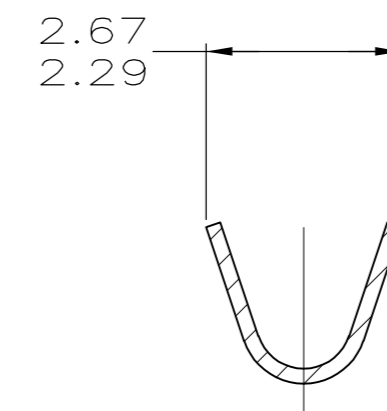
LOC		DIST		REVISIONS			
P	LTR	DESCRIPTION	DATE	DWN	APVD		
		D1	REV PER ECO 10-024400	01MAR11	JR	SM	



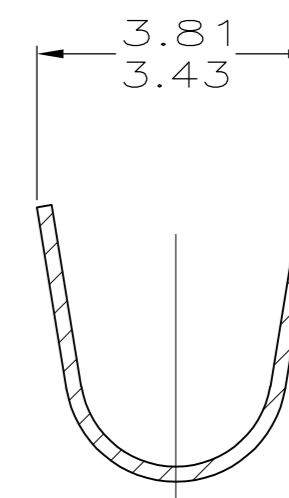
- PARTS COMPLY WITH AMP SOLDERABILITY SPECIFICATION 109-11-2.
- WIRE RANGE: 0.12 - 0.4 MM² (26 - 22 AWG).
- INSULATION RANGE: 1.02 - 2.79
- 0.00508 MIN BRIGHT TIN-LEAD.
- 0.00508 MIN BRIGHT TIN.



SECTION A-A



SECTION B-B



SECTION C-C

	5	3-794122-1
OBSOLETE	4	794122-1
	FINISH	PART NO.

0.51	.020	2.29	.090	4.88	.192	-	-
0.20	.008	1.96	.077	3.81	.150	-	-
0.18	.007	1.57	.062	3.43	.135	-	-
0.13	.005	1.40	.055	2.79	.110	-	-
0.10	.004	1.02	.040	2.67	.105	-	-
0.00508	.000200	0.76	.030	2.54	.100	7.04	.277
MM	IN	MM	IN	MM	IN	MM	IN

CONVERSION TABLE

METRIC

THIS DRAWING IS A CONTROLLED DOCUMENT.

DIMENSIONS: MM	TOLERANCES UNLESS OTHERWISE SPECIFIED:	DWN S. CARPENTER 21AUG2003	Tyco Electronics Corporation Harrisburg, PA 17105	
	0 PLC ±	CHK J. ELLIS 21AUG2003	NAME	
	1 PLC ±	APVD J. ELLIS 21AUG2003	TERMINAL MINI AMP-IN™ 2000	
	2 PLC ± 0.13	PRODUCT SPEC	SIZE	CAGE CODE
	3 PLC ±	APPLICATION SPEC	A2	00779
	4 PLC ANGLES ±	108-1081	DRAWING NO	RESTRICTED TO
MATERIAL 0.20 PH BRZ	FINISH	114-1016	C=794122	-
		WEIGHT	SCALE 10:1	SHEET 1 OF 1
		CUSTOMER DRAWING	REV D1	