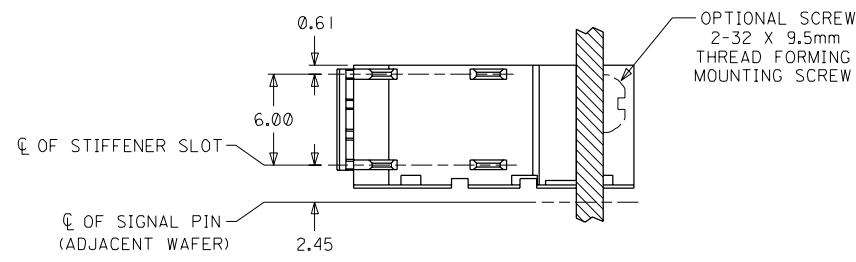
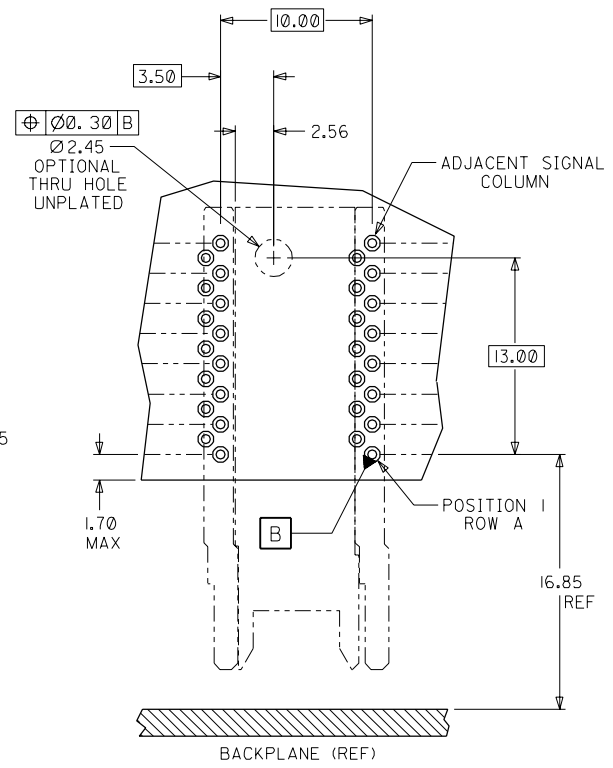
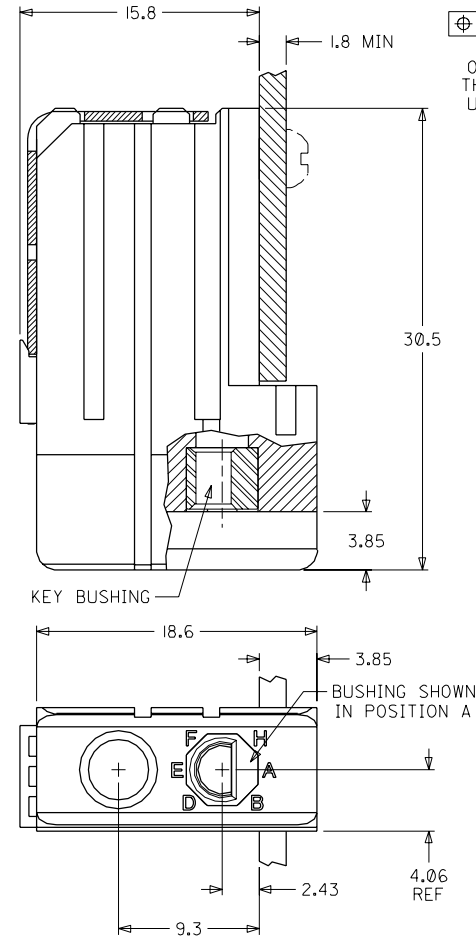
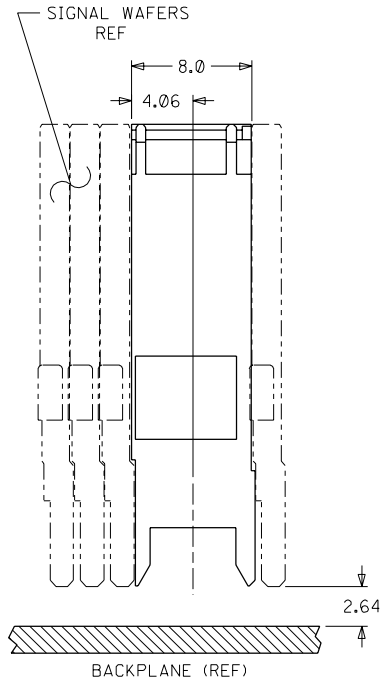


NOTES: (UNLESS OTHERWISE SPECIFIED)

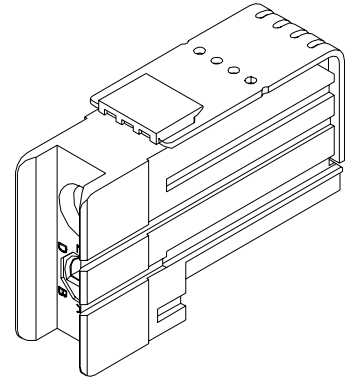
1. MATERIALS: HOUSING - LIQUID CRYSTAL POLYMER (LCP), GLASS-FILLED, UL94V-0, BLACK.
KEY BUSHING - STAINLESS STEEL.
2. FINISH: NONE.
3. REFER TO MOLEX PRODUCT SPECIFICATION PS-74031-999 FOR PERFORMANCE SPECIFICATIONS.



MATERIAL NUMBER	BUSHING CLOCK POSITION	
74037-0008	NONE	
74037-8001	A	
74037-8002	B	
74037-8003	C	
74037-8004	D	
74037-8005	E	
74037-8006	F	
74037-8007	G	
74037-8008	H	



DAUGHTERCARD HOLE PATTERN (CONNECTOR SIDE)

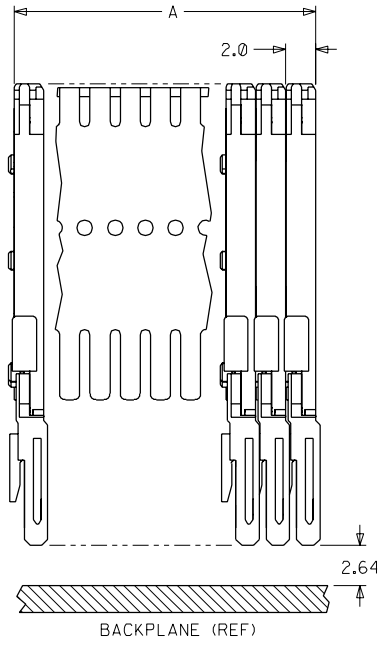
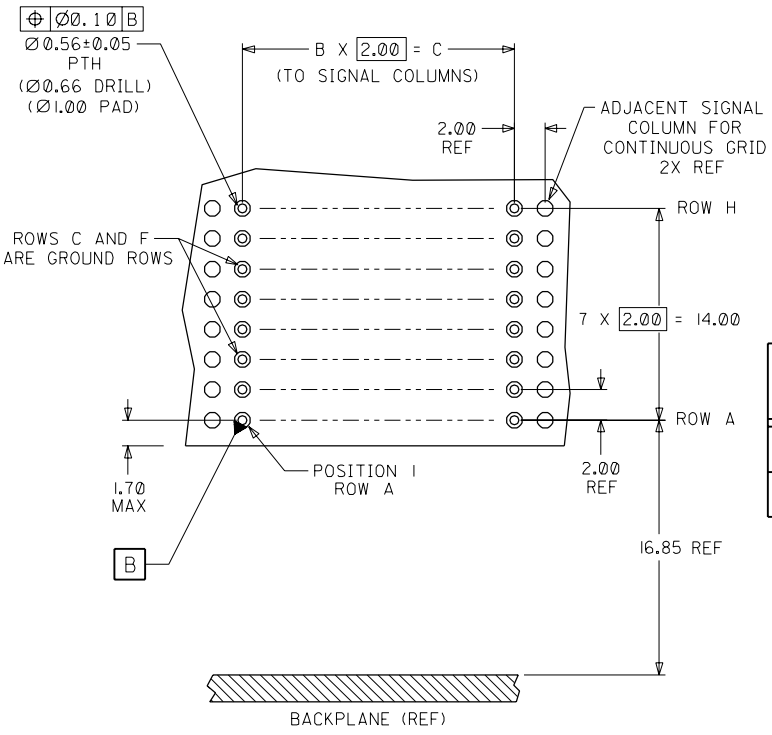
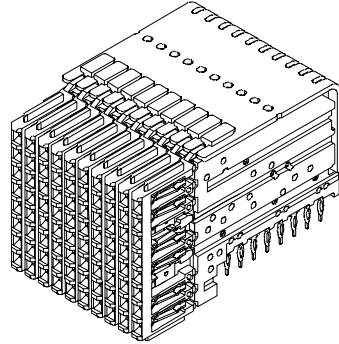
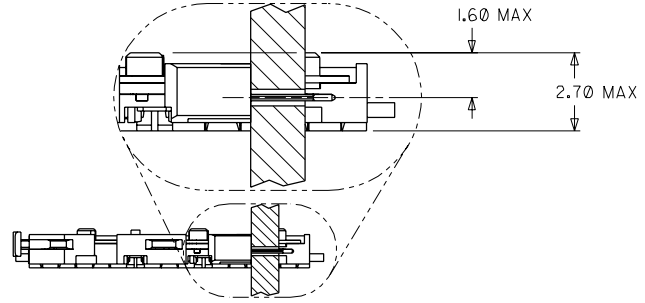


INITIAL RELEASE EC NO. UDT 1999-0291 DRWN: LAURX 98/10/19 CHK: MQWANG 98/10/19 APPR: BIXLER 98/10/19	QUALITY SYMBOLS MAJOR ∇ = 0 CRITICAL ∇ = 0	GENERAL TOLERANCES: (UNLESS SPECIFIED)		SCALE 4 : 1	DESIGN UNITS <input checked="" type="checkbox"/> mm <input type="checkbox"/> INCH	DIMENSIONS: <input type="checkbox"/> mm <input type="checkbox"/> INCH <input checked="" type="checkbox"/> mm ONLY	SHT	REV			
		4 PLACES ±0. -- ±. --	3 PLACES ±0. -- ±. --	2 PLACES ±0.13 ±. --	1 PLACE ±0.25 ±. --		DRAWN BY & DATE LAURX 98/10/19		TITLE: VHDM DAUGHTERCARD 8 ROW GUIDE MODULE SALES DRAWING		
		ANGULAR: ± 2°			CHECKED BY & DATE MQWANG 98/10/19		APPROVED BY & DATE BIXLER 98/10/19		MATERIAL NO. SEE CHART		
		DRAFT WHERE APPLICABLE MUST REMAIN WITHIN DIMENSIONS		CAD FILENAME S7403706.DGN			DRAWING NO. SD-74037-006		SHEET NO. 1 OF 1		
THIS DRAWING CONTAINS INFORMATION THAT IS PROPRIETARY TO MOLEX INCORPORATED AND SHOULD NOT BE USED WITHOUT WRITTEN PERMISSION.		SIZE C									

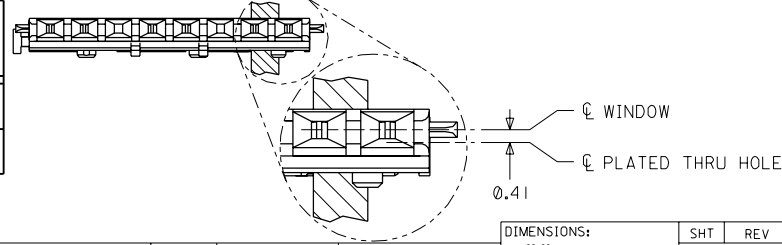
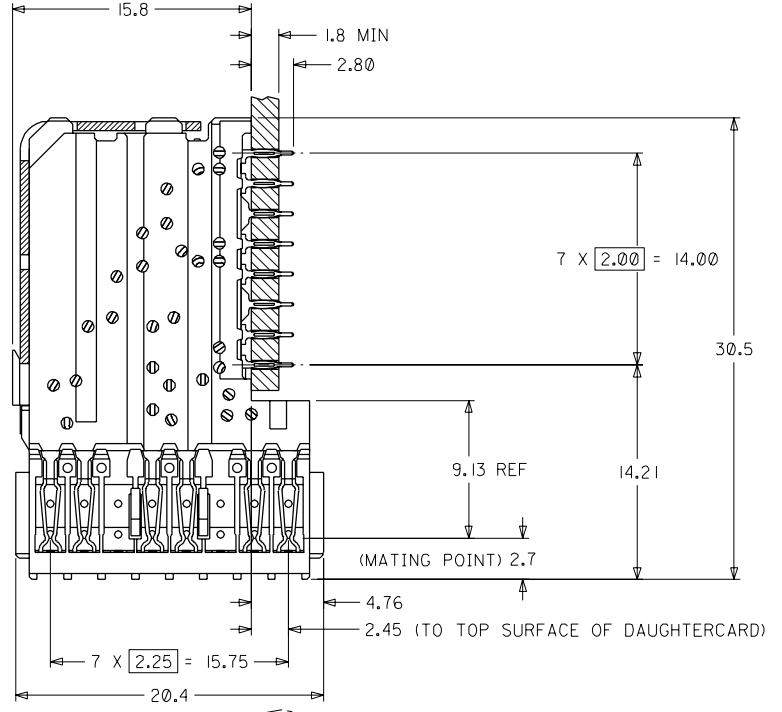
NOTES: (UNLESS OTHERWISE SPECIFIED)

1. MATERIALS: HOUSING - LIQUID CRYSTAL POLYMER (LCP), GLASS-FILLED, UL94V-0. TERMINALS - HIGH PERFORMANCE COPPER ALLOY.
2. FINISH: SELECTIVE GOLD (Au) IN CONTACT AREA, SELECTIVE TIN/LEAD (Sn/Pb) ON PCB TAILS NICKEL (Ni) OVERALL.
3. REFER TO MOLEX PRODUCT SPECIFICATION PS-74031-999 FOR PERFORMANCE SPECIFICATIONS.
4. SIGNAL WAFERS SUPPLIED ON STAINLESS STEEL STIFFENER IN GROUPS OF 10 OR 25 ONLY.

MATERIAL NUMBER	MINIMUM GOLD PLATING	WAFER PLASTIC COLOR
74681-0001	0.00076mm (30uIN)	BLACK
74681-0051	0.00127mm (50uIN)	GRAY



NUMBER OF SIGNAL WAFERS	A	B	C
10	20.0	9	18.00
25	50.0	24	48.00



DAUGHTERCARD HOLE PATTERN (CONNECTOR SIDE)

INITIAL RELEASE EC NO. UDT2001-1132 DRWN: LAURX 01/04/18 CHK: MARTIN 01/04/18 APPR: BIXLER 01/04/18	QUALITY SYMBOLS MAJOR = ① CRITICAL = ②	GENERAL TOLERANCES: (UNLESS SPECIFIED) mm INCH 4 PLACES ±0. -- ±. -- 3 PLACES ±0. -- ±. -- 2 PLACES ±0.13 ±. -- 1 PLACE ±0.25 ±. -- ANGULAR: ± 2°	SCALE 4 : 1 DESIGN UNITS <input checked="" type="checkbox"/> mm <input type="checkbox"/> INCH DRAWN BY & DATE LAURX 01/04/18 CHECKED BY & DATE MARTIN 01/04/18 APPROVED BY & DATE BIXLER 01/04/18	DIMENSIONS: mm INCH mm INCH <input type="checkbox"/> mm <input type="checkbox"/> INCH <input checked="" type="checkbox"/> mm <input type="checkbox"/> INCH SHT REV REVISE ON CAD ONLY
	TITLE: VHDM - HSD 8 ROW DAUGHTERCARD SIGNAL WAFER SALES DRAWING	MOLEX MOLEX INCORPORATED		
	CAD FILENAME S7468102.DGN	MATERIAL NO. SEE CHART	DRAWING NO. SD-74681-002	SHEET NO. 1 OF 1
	DRAFT WHERE APPLICABLE MUST REMAIN WITHIN DIMENSIONS			