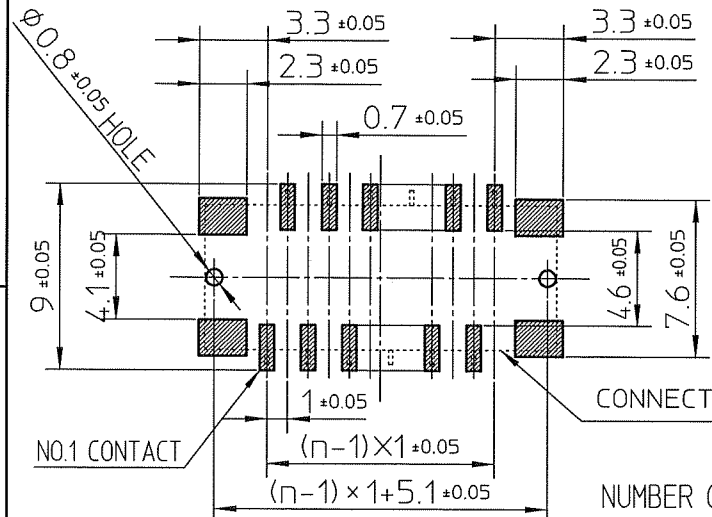


PT. NO.	PARTS NAME	MATERIAL	Q'TY	NOTE
1	HOUSING	GLASS FILLED THERMOPLASTIC RATED.(UL94V-0)	1	COLOR:BRACK
2	CONTACT	PHOSPHOR BRONZE	n	PLATING CONTACT AREA:GOLD OVER NICKL TERMINAL AREA:TIN (LEAD FREE)
3	MOUNTING PLATE	BRASS	2	PLATING:TIN (LEAD FREE)

n:NO. OF CONTACTS

RECOMMENDED PC BOARD LAYOUT  
(COMPONENT SIDE)



NOTE  
 1.This connector is symmetric for X,Y axis. As a result, It is possible to locate in emboss cavity even if rotated condition.  
 2.Flattness for contact terminal and mounting plate must be within 0.1.  
 3.This product meets European Union Directives and other country regulations as described in GS-22-008.

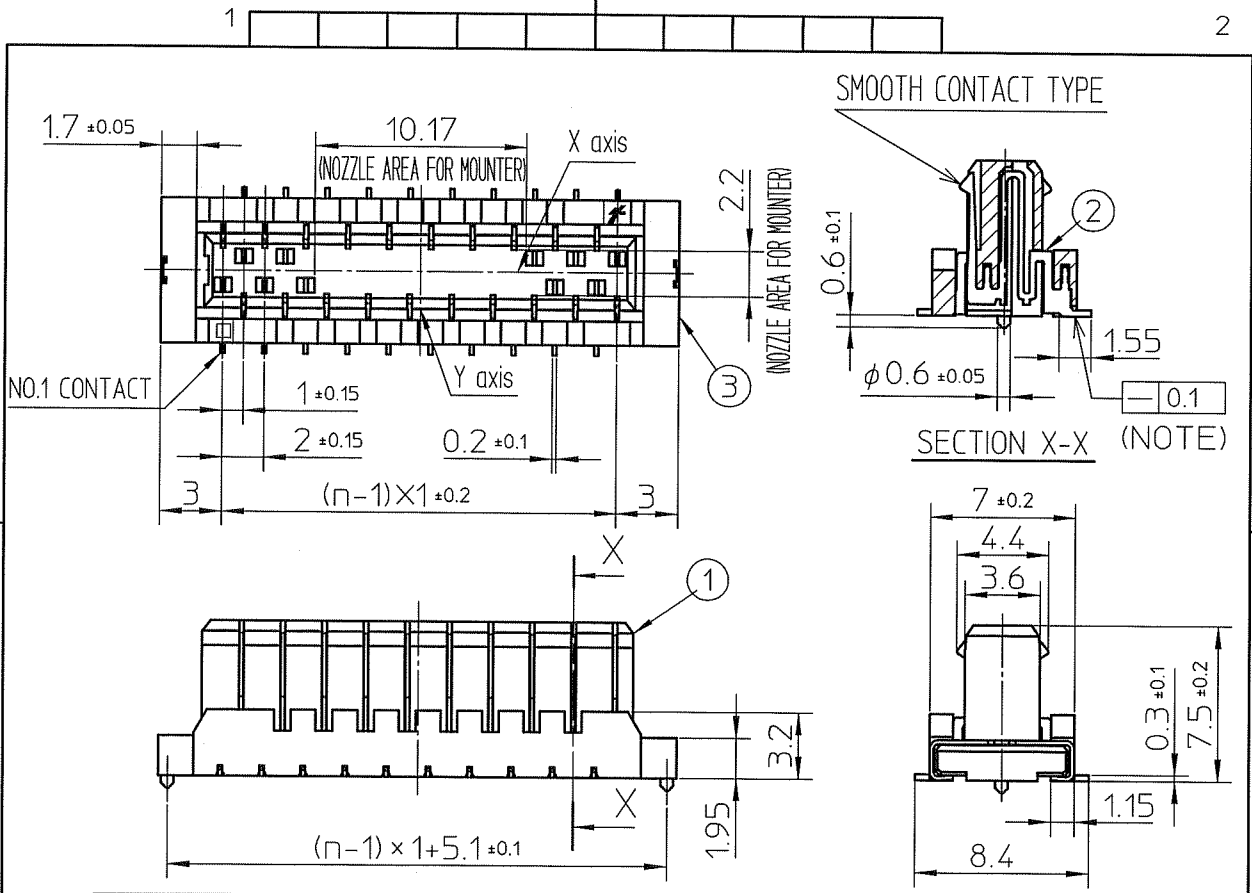
NUMBER OF CONTACTS : 10 TO 16 , ONLY EVEN POS.

mat'l. code				surface ISO 1302 ✓		tolerance ISO 406 ISO 1101		projection		product family 590F	
lfr ecn no dr date				tolerances unless otherwise specified		linear ±0.3		title		FLOATING BOARD TO BOARD PLUG CONNECTOR (GOLD PLATING AND LEAD FREE) (CAT.No. BTFW_P-3SBTADLF)	
A J07-0021 M.K Jan.25,07				angles		scale		dwg no		sheet 1 of 2 size	
				dr K.Higuchi Jan.25,07		FCJ		JSA97218		A4	
				engr M.Koga Jan.25,07				type Product Customer Drawing			
				chr K.Higuchi Jan.25,07							
				appd M.Koga Jan.25,07							
sheet index		revision sheet		A 1		A 2				Rev A	



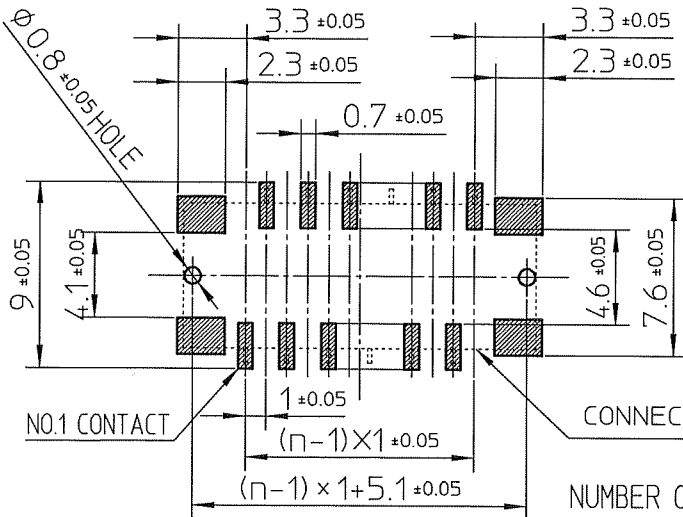
FCJconnect.com

Copyright FCJ



PT. NO.	PARTS NAME	MATERIAL	Q'TY	NOTE
1	HOUSING	GLASS FILLED THERMOPLASTIC RATED (UL94V-0)	1	COLOR:BRACK
2	CONTACT	PHOSPHOR BRONZE	n	PLATING CONTACT AREA:GOLD OVER NICKL TERMINAL AREA:TIN (LEAD FREE)
3	MOUNTING PLATE	BRASS	2	PLATING:TIN (LEAD FREE)

RECOMMENDED PC BOARD LAYOUT  
(COMPONENT SIDE)



n: NO. OF CONTACTS

NOTE

1. This connector is symmetric for X,Y axis. As a result, It is possible to locate in emboss cavity even if rotated condition.
2. Flatness for contact terminal and mounting plate must be within 0.1.
3. This product meets European Union Directives and other country regulations as described in GS-22-008.

NUMBER OF CONTACTS : 18 TO 30 , ONLY EVEN POS.

mat'l. code				surface ISO 1302 ✓		tolerance ISO 406 ISO 1101		projection		product family 590F		
ltr	ecn no	dr	date	tolerances unless otherwise specified						title FLOATING BOARD TO BOARD PLUG CONNECTOR (GOLD PLATING AND LEAD FREE) (CAT.No. BTFW__P-3SBTADLF)		
A	J07-0021	M.K	Jan.25,07	angles	linear	± 0.3						scale
				dr	K.Higuchi	Jan.25,07			dwg no		sheet 2 of 2	size
				enr	M.Koga	Jan.25,07			JSA97218		A4	
				chr	K.Higuchi	Jan.25,07			type		Product Customer Drawing	
				appd	M.Koga	Jan.25,07						
sheet index	revision sheet	A	A									Rev
D		1	2									A



FCJconnect.com

Copyright FCJ