



- 10/100/1000 Base-T Ethernet Application
- Meets IEEE 802.3 & ANSI X 3.263 standards
- Impedance: 100OHMS
- Transmit open circuit inductance
- Always EU RoHS/ELV Compliant, wave solder capable to 265°C
- RJ45 jack cavity conforms to FCC rules and regulations Part 68, SUB Part F
- Operating Temperature: -40°C to +85°C



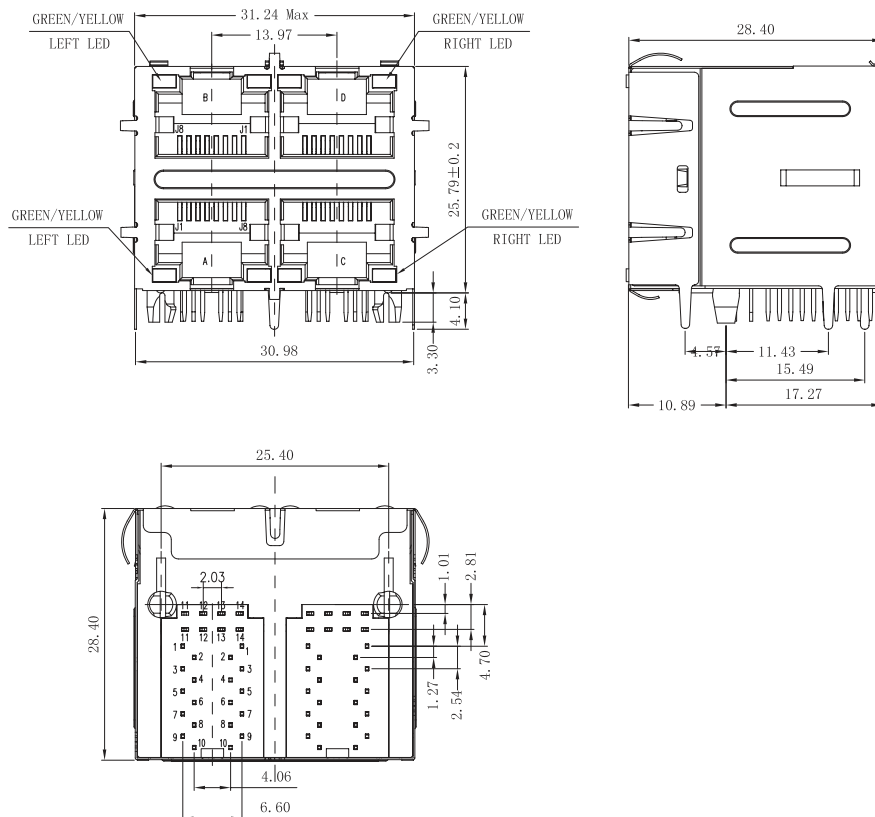
Electrical Specifications @ 25°C						
OCL(μH Min) @100KHz, 0.1V	Turns Ratio Chip : Cable (±3%)	Insertion Loss (dB Max)	Return Loss (dB Min)			
With 8mA DC Bias			1-100MHz	1-30MHz	40MHz	50MHz
350	1CT:1CT	-1.2	-16	-14	-13	-12

Electrical Specifications @ 25°C						
Cross Talk (dB Min)			CMRR (dB Min)			HI-POT (Vrms)
30MHz	60MHz	100MHz	30MHz	60MHz	100MHz	
-43	-37	-33	-50	-43	-35	1500

All specifications subject to change without notice.

## MECHANICAL

Dimensions: mm

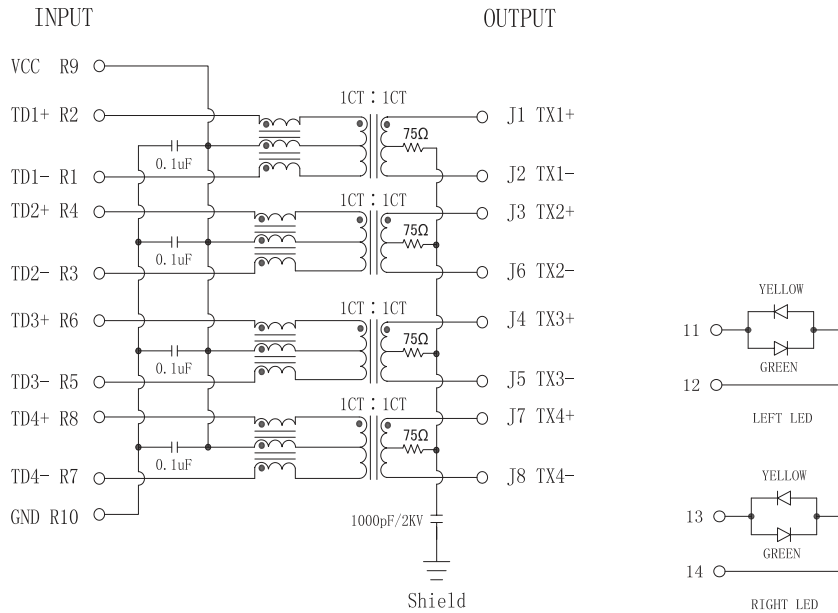


Tolerance Unless otherwise specified

X:X	±0.20
X:XX	±0.10
X:XXX	±0.05



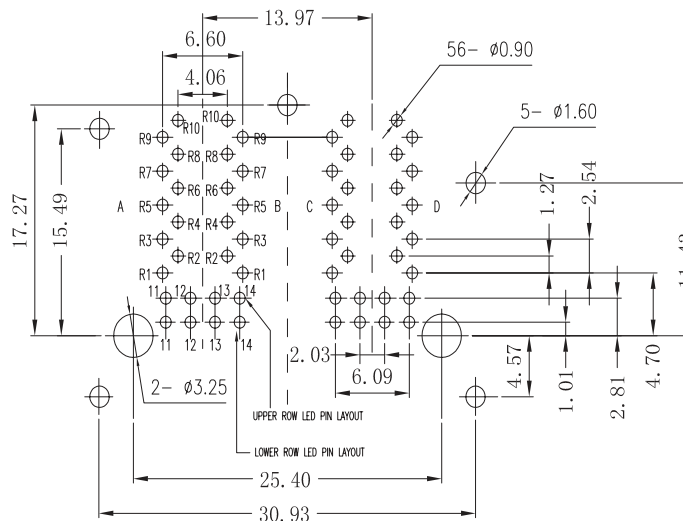
SCHEMATICS



Notes:

1. R1-R4 = 750Ω, 1/16W, 5% Resistors.
2. C1 = 1000pF, 2KV Decoupling Capacitor.
3. LED Compliant With IEC60825-1 Safety or Laser Products when operated up to 20mA
4. LED Forward Voltage: 2.1V(TYP). LED Power Dissipation: 105mW. LED Peak Wavelength: Green=565nm, Yellow=585nm.

PCB LAYOUT



Tolerance Unless otherwise specified

X:X	±0.20
X:XX	±0.10
X:XXX	±0.05

MATERIALS

- Housing: PBT, Flammability Rating 94V-0.
- Shield: Copper Alloy 1.2mm thick, 80µm Min nickel plating.
- Mod Jack Contacts: Phosphor Bronze, 6µm Gold plated.
- LED: Diffused Epoxy Lens, 0.5x0.5mm Carbon Steel Wireframe Leads.