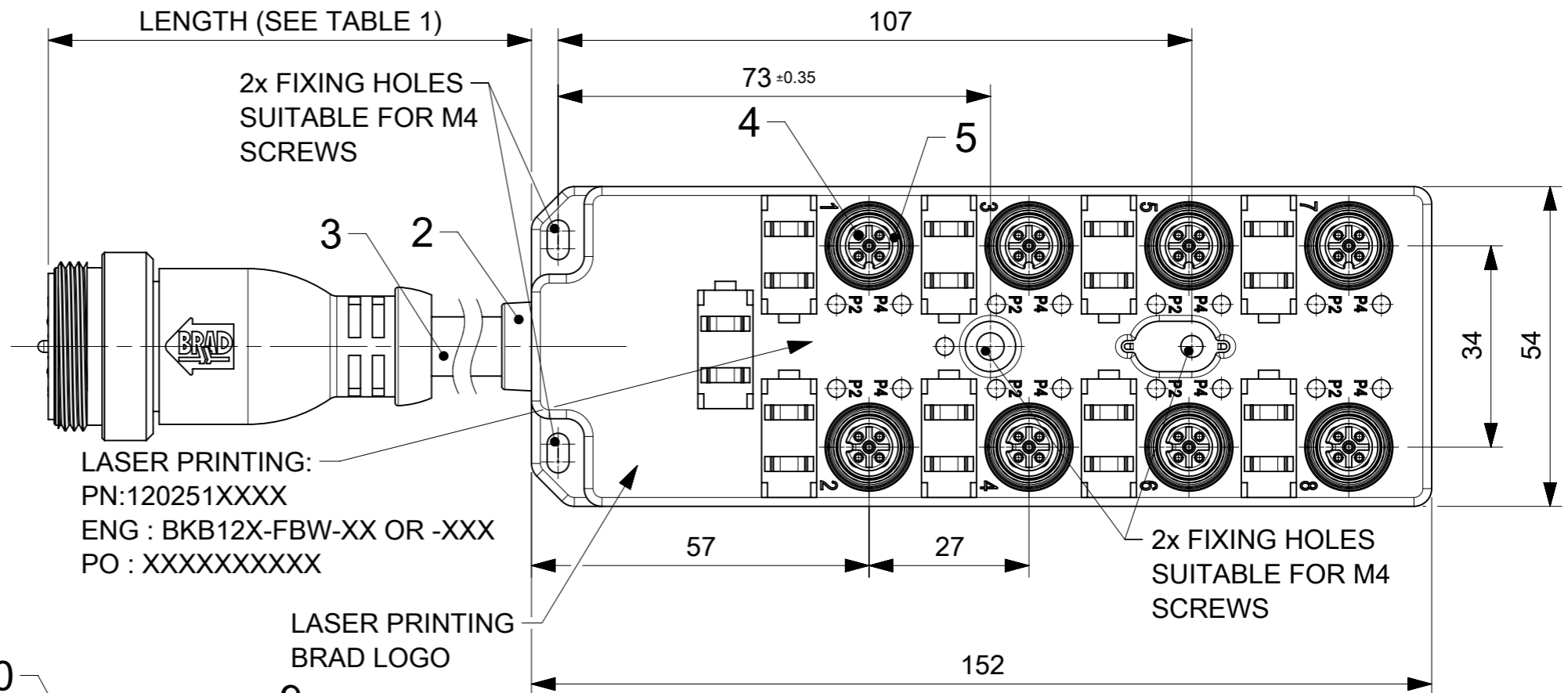
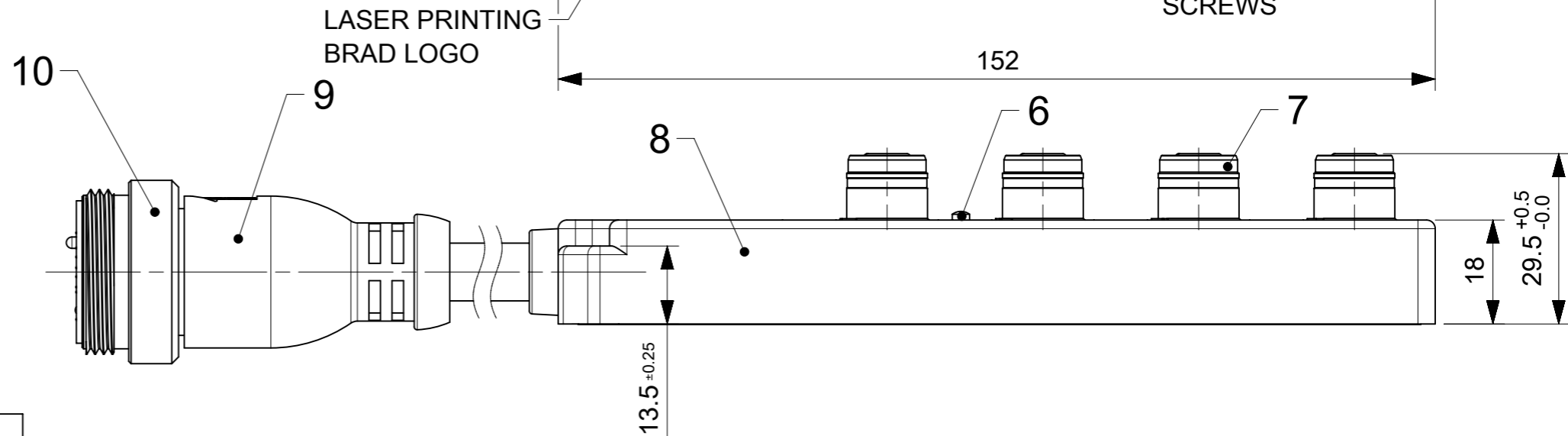
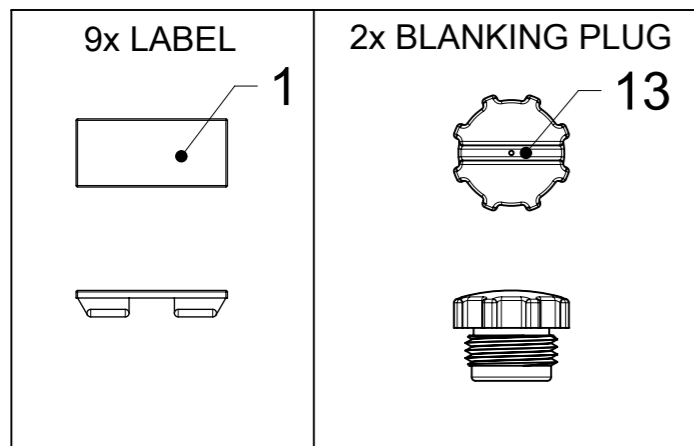


TABLE 1

| MOLEX P/N | ENG. NO. | CABLE LENGTH (mm) | LED |
|------------|-----------------|-------------------|-----|
| 1202510097 | BKB8120-FBW-003 | 300 | NO |
| 1202510098 | BKB8120-FBW-01 | 1000 | NO |
| 1202510099 | BKB8120-FBW-050 | 5000 | NO |
| 1202510100 | BKB8120-FBW-10 | 10000 | NO |
| 1202510101 | BKB812N-FBW-003 | 300 | YES |
| 1202510102 | BKB812N-FBW-01 | 1000 | YES |
| 1202510103 | BKB812N-FBW-05 | 5000 | YES |
| 1202510104 | BKB812N-FBW-10 | 10000 | YES |
| 1202510105 | BKB812P-FBW-003 | 300 | YES |
| 1202510106 | BKB812P-FBW-01 | 1000 | YES |
| 1202510107 | BKB812P-FBW-05 | 5000 | YES |
| 1202510108 | BKB812P-FBW-10 | 10000 | YES |



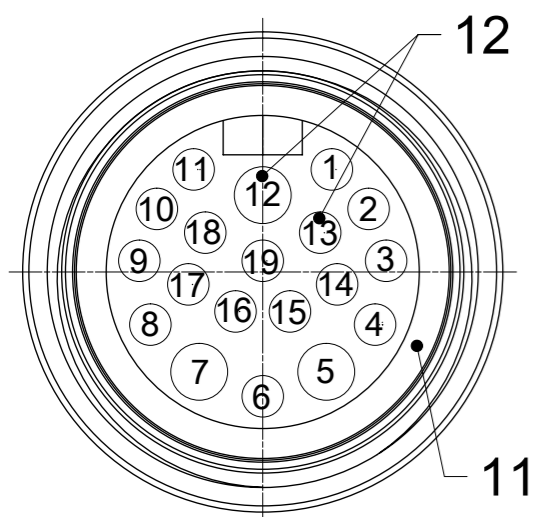
PACKED IN A BAG



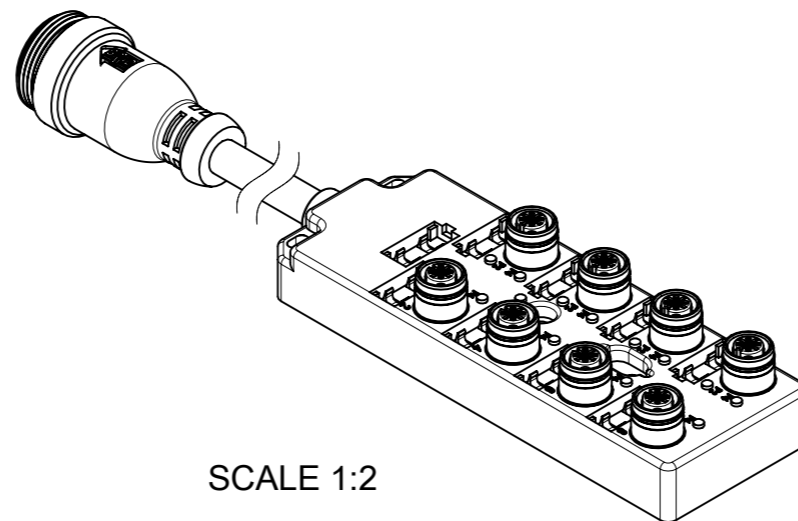
WIRING DIAGRAM

| PIN | COLOR |
|-----|--------------|
| 1 | VIOLET |
| 2 | RED |
| 3 | GREY |
| 4 | RED/BLUE |
| 5 | BLUE |
| 6 | GREEN |
| 7 | BROWN |
| 8 | WHITE/GREEN |
| 9 | WHITE/YELLOW |
| 10 | WHITE/GREY |
| 11 | BLACK |
| 12 | YELLOW/GREEN |
| 13 | YELLOW/BROWN |
| 14 | BROWN/GREEN |
| 15 | WHITE |
| 16 | YELLOW |
| 17 | PINK |
| 18 | GREY/BROWN |
| 19 | GREY/PINK |

19 POLE MALE
FACE VIEW



SCALE 2:1



GENERAL CHARACTERISTICS:

ELECTRICAL AND MECHANICAL DATA ACC. TO IEC 61076-2-101

NOMINAL VOLTAGE: 10-30 V DC
 AMPERE RATING: 4 A PER PORT / 12 A MAX
 AMPERE RATING WITH UL REGISTRATION: 3 A PER PORT / 9 A MAX
 IP DEGREE OF PROTECTION: IP 67
 TEMPERATURE RANGE: -25°C to + 85°C

| FUNCTIONAL SYMBOLS | THIS DRAWING CONTAINS INFORMATION THAT IS PROPRIETARY TO MOLEX ELECTRONIC TECHNOLOGIES, LLC AND SHOULD NOT BE USED WITHOUT WRITTEN PERMISSION | | CURRENT REV DESC: | |
|--------------------|---|--|-------------------------|-----------------------------|
| ∇A = 0 | mm | SCALE 1:1 | | |
| ∇E = 0 | GENERAL TOLERANCES (UNLESS SPECIFIED) | | | |
| ∇F = 0 | ANGULAR TOL ± 1.0° | | | |
| DIVISIONAL SYMBOLS | 4 PLACES ± | 3 PLACES ± | 2 PLACES ± 0.05 | 1 PLACE ± 0.3 |
| | 0 PLACES ± 0.5 | DRAFT WHERE APPLICABLE MUST REMAIN WITHIN DIMENSIONS | | THIRD ANGLE PROJECTION |
| | | DRAWING A3-SIZE | SERIES 120251 | MATERIAL NUMBER SEE TABLE 1 |
| | | | CUSTOMER GENERAL MARKET | SHEET NUMBER 1 OF 2 |

molex

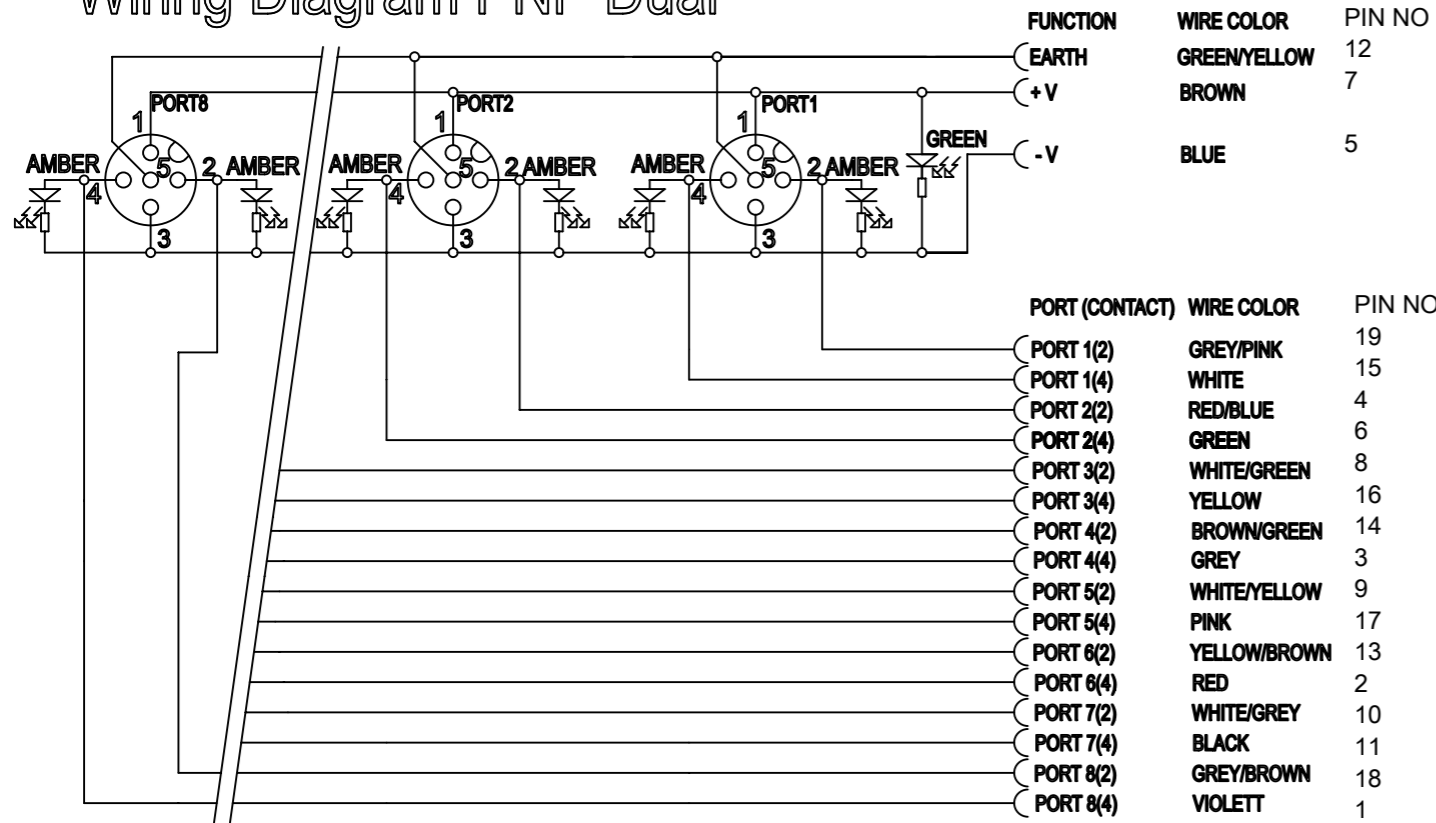
MPIS U12 NOS 5P 8PT 0.3M MC 19P BK

PRODUCT CUSTOMER DRAWING

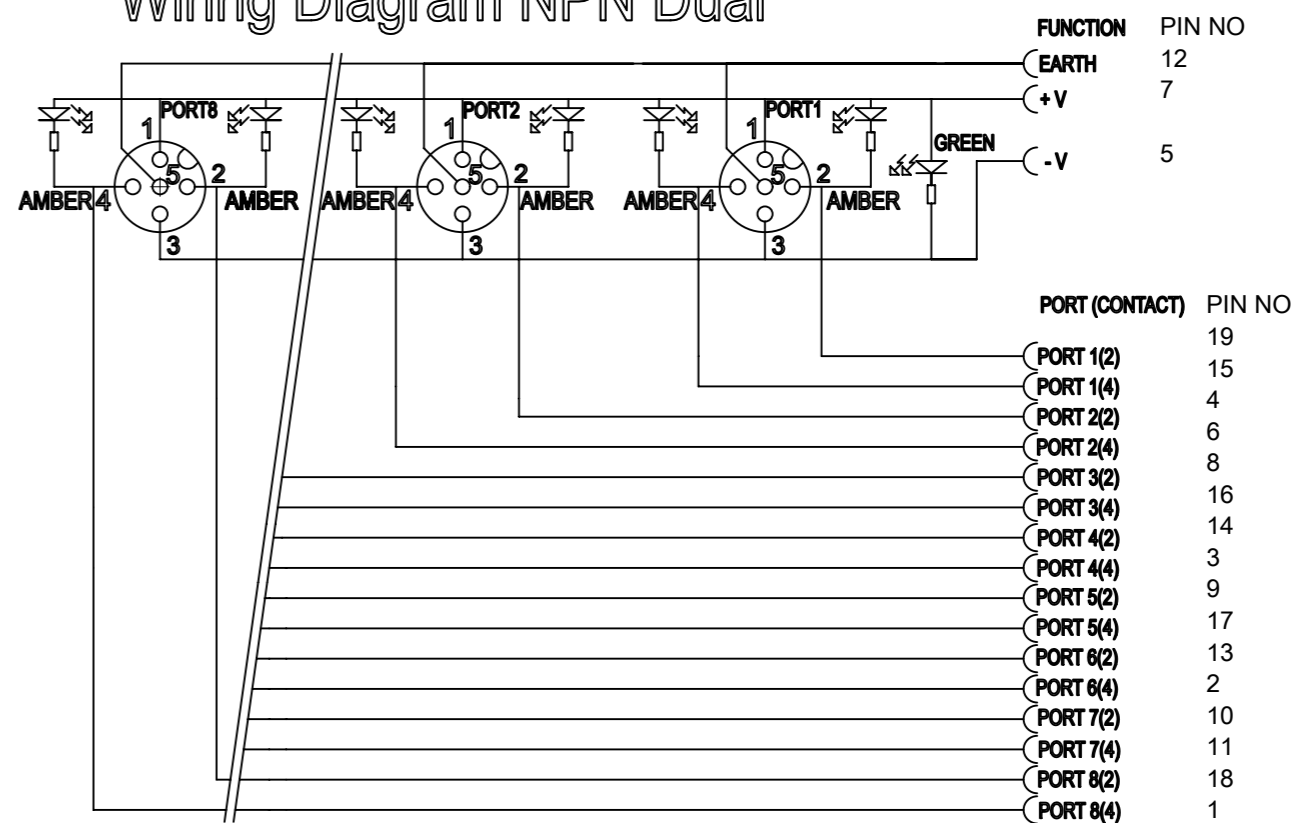
DOCUMENT NUMBER 1202510097

DOC TYPE PSD DOC PART 000 REVISION A4

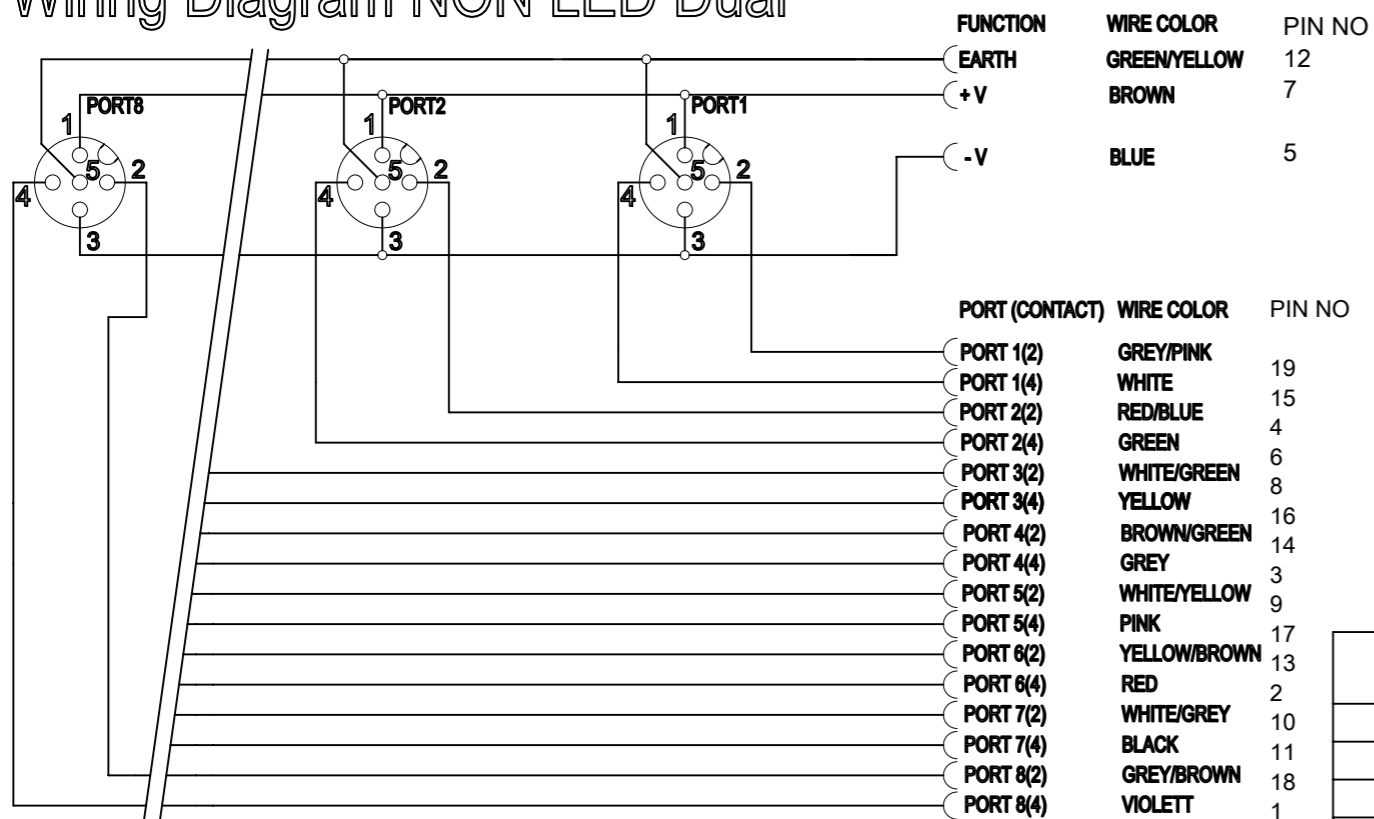
Wiring Diagram PNP Dual



Wiring Diagram NPN Dual



Wiring Diagram NON LED Dual



BILL OF MATERIAL

| ITEM | QTY | DESCRIPTION | MATERIAL | FINISH |
|------|-----|-------------------|------------------------------|----------------------|
| 1 | 9 | LABEL | ABS | WHITE |
| 2 | 1 | CABLE PLATE | PBT | BLACK |
| 3 | - | CABLE | TPU BASED | BLACK |
| 4 | 40 | CONTACT | BRASS | GOLD OVER NICKEL |
| 5 | 8 | O-RING | FPM | RED |
| 6 | 17 | LED (SEE TABLE 1) | NO LED = PA WITH LED = PA | BLACK TRANSPARENT |
| 7 | 8 | SHELL | BRASS | NICKEL PLATED |
| 8 | 1 | HOUSING | PBT | BLACK |
| 9 | - | OVERMOLDING | PVC | YELLOW |
| 10 | 1 | COUPLING NUT | ZINC DIE CAST | BLACK |
| 11 | 1 | INSERT 19 POLE | PVC | YELLOW |
| 12 | 19 | CONTACT | BRASS | GOLD OVER NICKEL |
| 13 | 2 | ACC PCAP M12 FE | PA | BLACK |

CABLE LENGTH TOLERANCES

| LENGTH [m] | TOLERANCE [mm] |
|------------|----------------|
| 0-1 | +40 |
| >1-5 | +60 |
| >5-10 | +80 |
| >10-20 | +140 |
| >20-30 | +160 |
| >30 | +1% length |

| | | | |
|--|---|---------------------------------------|----------------|
| FUNCTIONAL SYMBOLS √A = 0 √E = 0 √V = 0 | THIS DRAWING CONTAINS INFORMATION THAT IS PROPRIETARY TO MOLEX ELECTRONIC TECHNOLOGIES, LLC AND SHOULD NOT BE USED WITHOUT WRITTEN PERMISSION | SCALE | 1:1 |
| | | GENERAL TOLERANCES (UNLESS SPECIFIED) | |
| DIVISIONAL SYMBOLS | ANGULAR TOL | ± 1.0° | |
| | 4 PLACES | ± | |
| | 3 PLACES | ± | |
| | 2 PLACES | ± 0.05 | |
| | 1 PLACE | ± 0.3 | |
| | 0 PLACES | ± 0.5 | |
| DRAFT WHERE APPLICABLE MUST REMAIN WITHIN DIMENSIONS | | THIRD ANGLE PROJECTION | DRAWING |
| | | SERIES | 120251 |
| | | MATERIAL NUMBER | SEE TABLE 1 |
| | | CUSTOMER | GENERAL MARKET |
| | | SHEET NUMBER | 2 OF 2 |

| | |
|-------------------|------------|
| EC NO: 698219 | 2022/01/27 |
| DRWN: SSM | 2022/03/04 |
| CHK'D: RSILLER | 2022/03/04 |
| APPR: RSILLER | 2022/03/04 |
| INITIAL REVISION: | |
| DRWN: SSM | 2019/01/11 |
| APPR: RSILLER | 2020/01/17 |

| | |
|------------------------------------|----------------------------|
| molex | |
| MPIS U12 NOS 5P 8PT 0.3M MC 19P BK | |
| PRODUCT CUSTOMER DRAWING | |
| DOCUMENT NUMBER | DOC TYPE DOC PART REVISION |
| 1202510097 | PSD 000 A4 |