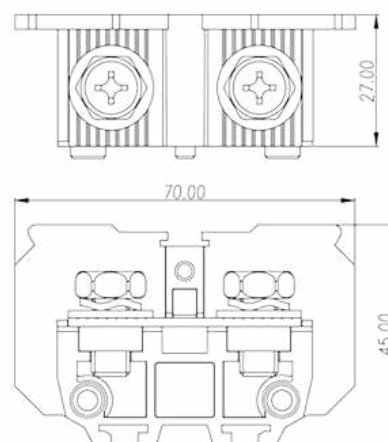
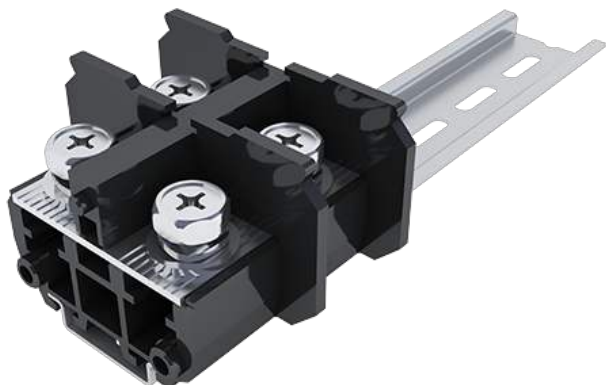


# DKB150

NEMA Terminal Blocks > Rail Mounting

Date:2022-10-29



The web catalog is for reference only. Dinkle remains the right of product modification and engineering change of the design. The final product is made according to engineering drawing.

## Product Description

M8, 600V, 190A

## General information

Short description	Barrier terminal blocks, Screw connection
Category	Rail mounting terminal blocks
Color	Black (default)
Connection method	Screw connection
Type of locking	Rail mounting
Level	Single level

## Material information

Insulation material	PC
Insulation material group	IIIa
Flame retardant rating , compliant with UL94	V2
Conductor material	Copper Alloy
Plating of conductor surface	Ni plated

## Connection data-IEC

Rated voltage (V)	1000
-------------------	------

Rated current (A)	192
Rated voltage (III/3)(V)	1000
Rated impulse voltage (II/2)(KV)	8
Rated impulse voltage (III/2)(KV)	8
Rated impulse voltage (III/3)(KV)	8
Conductor cross section solid. min (mm <sup>2</sup> )	10
Conductor cross section solid.max (mm <sup>2</sup> )	70
Conductor cross section stranded. min (mm <sup>2</sup> )	10
Conductor cross section stranded. max (mm <sup>2</sup> )	70
2 conductors with same cross section, solid, max (mm <sup>2</sup> )	70
2 conductors with same cross section, stranded, max (mm <sup>2</sup> )	70
Screw thread	M8
Slotted screwdriver size (Blade thickness x Width)(mm)	1.0x5.5
Philips screwdriver size	PH3
Rated torque (N.m)	8
Recommend tightening torque. min (N.m)	3.5
Recommend tightening torque. max (N.m)	8
Stripping Length (mm)	19~20

## Connection data-UL

Rated voltage (UL/CUL Group B)(V)	600
Rated current (UL/CUL Group B)(A)	190
Rated voltage (UL/CUL Group C)(V)	600
Rated current (UL/CUL Group C)(A)	190
Min. solid wire connection (AWG) acc. to UL/CUL	8
Max. solid wire connection AWG acc. to UL/CUL	3/0
Min. stranded wire connection AWG acc. to UL/CUL	8
Max. stranded wire connection AWG acc. to UL/CUL	3/0

## Environment & Safety

Back of the hand protection (YES or NO)	YES
Operating temperature. max (°C)	125
Operating temperature. min (°C)	-40

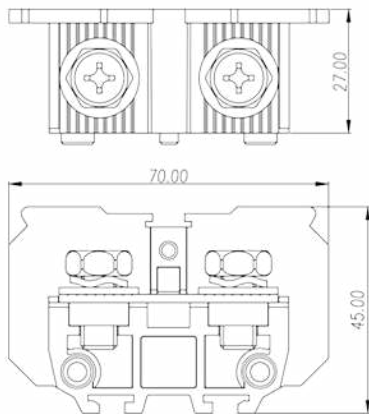
## UL Recognized

Wire Range (Group B)(AWG)	8~3/0
Rated voltage (Group B)(V)	600
Rated current (Group B)(A)	190
Wire Range (Group C)(AWG)	8~3/0
Rated voltage (Group C)(V)	600
Rated current (Group C)(A)	190

### CUL Recognized

Wire Range (Group B)(AWG)	8~3/0
Rated voltage (Group B)(V)	600
Rated current (Group B)(A)	190
Wire Range (Group C)(AWG)	8~3/0
Rated voltage (Group C)(V)	600
Rated current (Group C)(A)	190

### Drawings



### Approvals

